



Chipsmall Limited consists of a professional team with an average of over 10 year of expertise in the distribution of electronic components. Based in Hongkong, we have already established firm and mutual-benefit business relationships with customers from,Europe,America and south Asia,supplying obsolete and hard-to-find components to meet their specific needs.

With the principle of “Quality Parts,Customers Priority,Honest Operation,and Considerate Service”,our business mainly focus on the distribution of electronic components. Line cards we deal with include Microchip,ALPS,ROHM,Xilinx,Pulse,ON,Everlight and Freescale. Main products comprise IC,Modules,Potentiometer,IC Socket,Relay,Connector.Our parts cover such applications as commercial,industrial, and automotives areas.

We are looking forward to setting up business relationship with you and hope to provide you with the best service and solution. Let us make a better world for our industry!



Contact us

Tel: +86-755-8981 8866 Fax: +86-755-8427 6832

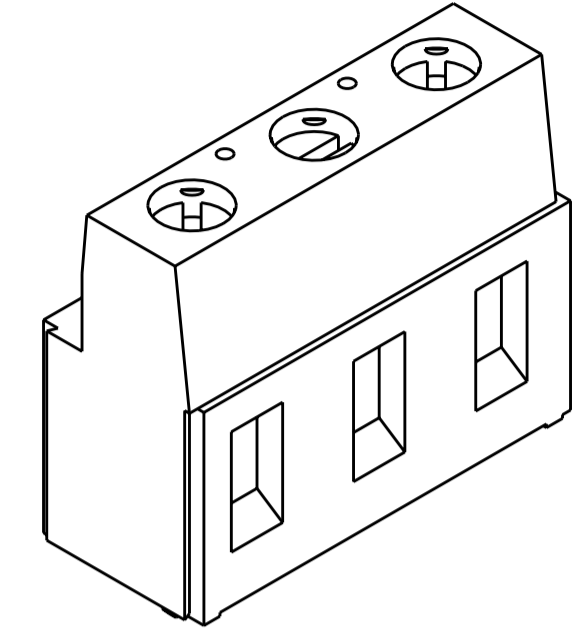
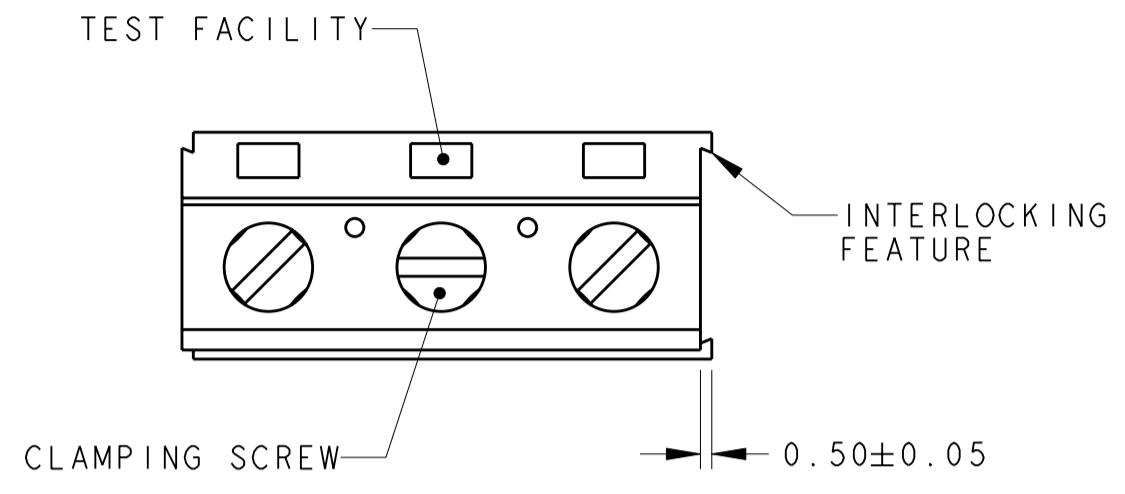
Email & Skype: info@chipsmall.com Web: www.chipsmall.com

Address: A1208, Overseas Decoration Building, #122 Zhenhua RD., Futian, Shenzhen, China



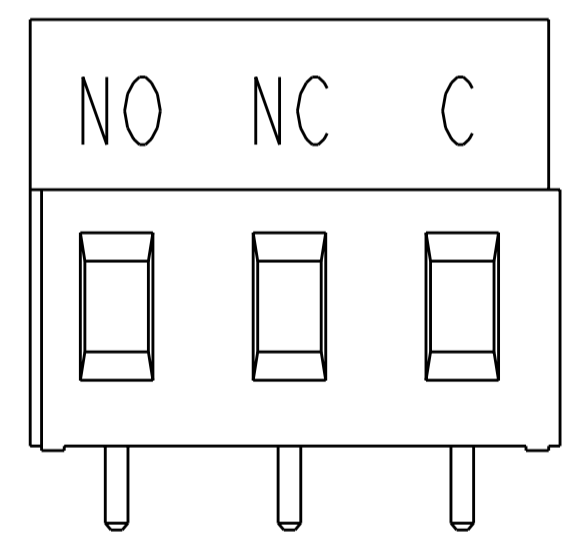
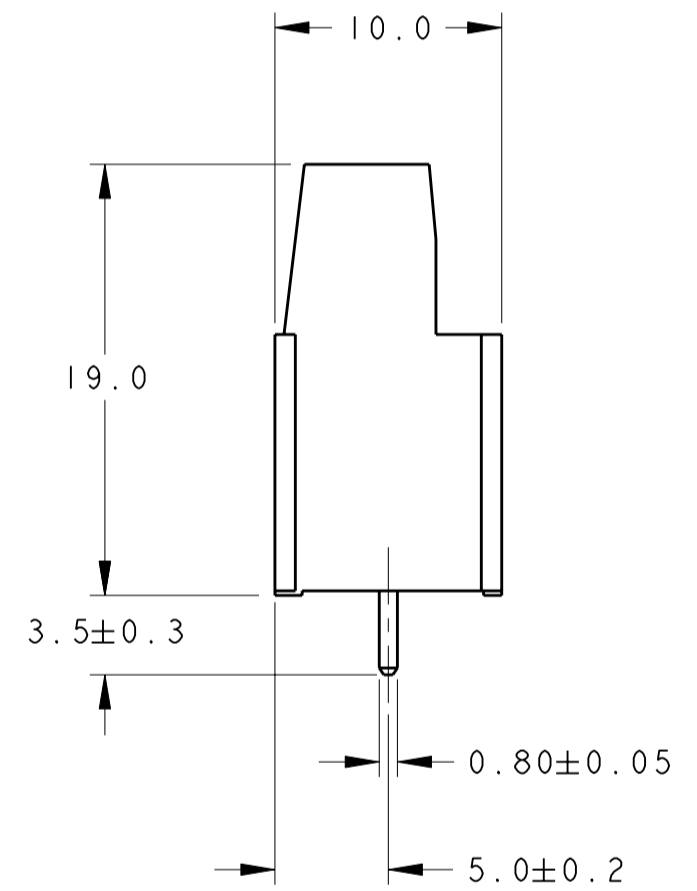
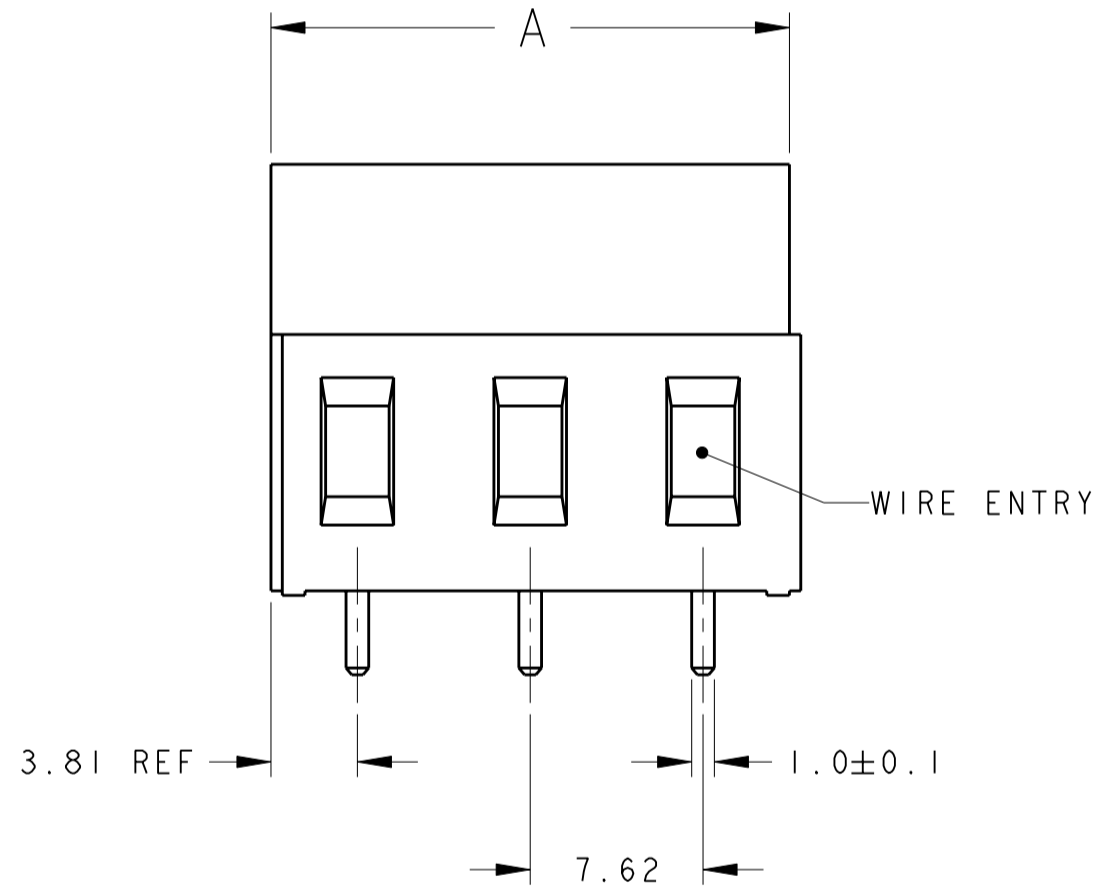
THIS DRAWING IS UNPUBLISHED. RELEASED FOR PUBLICATION 20
 © COPYRIGHT 20 BY TYCO ELECTRONICS CORPORATION. ALL RIGHTS RESERVED.

| LOC | DIST | REVISIONS | | | |
|-----|------|-------------------------|-----------|-----|------|
| P | LTR | DESCRIPTION | DATE | DWN | APVD |
| | D | REVISED EC 0G3B-0383-02 | 05JUN2003 | SW | CR |
| | DI | REVISED ECO-07-008833 | 23APR2007 | SW | CR |

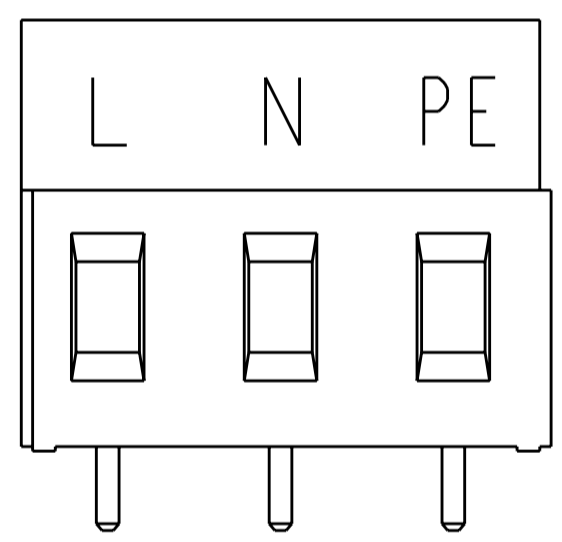


282861-3 AS SHOWN

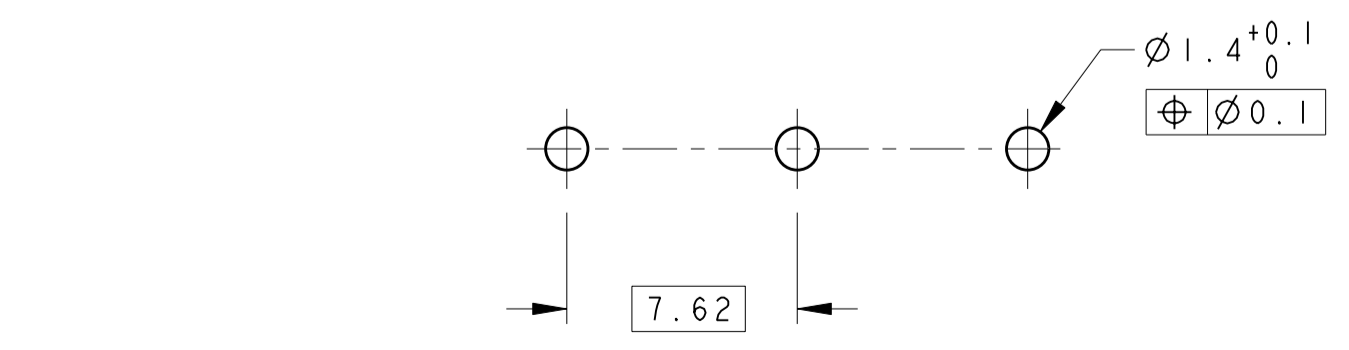
- 1. MATERIALS AND FINISH
 HOUSING: PA 6-6, UL 94-V0, COLOR: SEE TABLE.
 CLAMP: BRASS, NICKEL PLATED.
 TERMINAL: BRASS, TIN PLATED.
 CLAMPING SCREW: M3, BRASS, NICKEL PLATED.
- 2. SUITABLE FOR 1,6-2,4mm PC BOARD THICKNESS.
- 3. END-TO-END STACKABLE W/INTERLOCK WITHOUT LOSS OF CENTERLINE SPACING.
- 4. WIRE SIZE RANGE: 12 - 30 AWG.
- 5. RECOGNIZED UNDER THE COMPONENT PROGRAM OF UNDERWRITERS LABORATORIES INC. FILE N° E60677.
- 6. IMQ CERTIFICATE WITH SURVEILLANCE IN CONFORMITY WITH IEC 998-1/998-2-1.
- 7. NOT CUMULATIVE TOLERANCE.
- 8. INK MARKING, BLACK COLOR.



DETAIL L 8



DETAIL M 8



RECOMMENDED PC BOARD LAYOUT

| | | | | |
|---------------|--------------|-------|------------|-------------|
| GREEN | SEE DETAIL M | 22.86 | 3 | 282861-5 |
| GRAY | SEE DETAIL L | 22.86 | 3 | 282861-4 |
| GREEN | - | 22.86 | 3 | 282861-3 |
| GREEN | - | 15.24 | 2 | 282861-2 |
| HOUSING COLOR | MARKING | A | NO OF POSN | PART NUMBER |

| | | | | |
|---|--|-----------------------------------|--|----------------------|
| THIS DRAWING IS A CONTROLLED DOCUMENT FOR TYCO ELECTRONICS CORPORATION. IT IS SUBJECT TO CHANGE AND THE CONTROLLING ENGINEERING ORGANIZATION SHOULD BE CONTACTED FOR THE LATEST REVISION. | | DWN E. ZANOLINI 24OCT2001 | Tyco Electronics Harrisburg, PA 17105-3608 | |
| DIMENSIONS: mm | | CHK D. BIEVENOUR 24OCT2001 | BUCHANAN | |
| TOLERANCES UNLESS OTHERWISE SPECIFIED: 0 PLC ±- 1 PLC ±.3 2 PLC ±.25 3 PLC ±. 4 PLC ±- ANGLES ±2 FINISH | | APVD D. BIEVENOUR 24OCT2001 | NAME TERMINAL BLOCK, PCB MOUNT SIDE ENTRY WIRE, STACKING W/ INTERLOCK, 7.62mm PITCH | |
| MATERIAL | | PRODUCT SPEC 108-20166 | SIZE A2 | RESTRICTED TO |
| 1 | | APPLICATION SPEC 114-20079 | CAGE CODE 00779 | DRAWING NO 282861 |
| 1 | | WEIGHT - | SCALE 3:1 | SHEET OF 1 1 |
| CUSTOMER DRAWING | | REV DI | | |