



Chipsmall Limited consists of a professional team with an average of over 10 year of expertise in the distribution of electronic components. Based in Hongkong, we have already established firm and mutual-benefit business relationships with customers from,Europe,America and south Asia,supplying obsolete and hard-to-find components to meet their specific needs.

With the principle of “Quality Parts,Customers Priority,Honest Operation,and Considerate Service”,our business mainly focus on the distribution of electronic components. Line cards we deal with include Microchip,ALPS,ROHM,Xilinx,Pulse,ON,Everlight and Freescale. Main products comprise IC,Modules,Potentiometer,IC Socket,Relay,Connector.Our parts cover such applications as commercial,industrial, and automotives areas.

We are looking forward to setting up business relationship with you and hope to provide you with the best service and solution. Let us make a better world for our industry!



Contact us

Tel: +86-755-8981 8866 Fax: +86-755-8427 6832

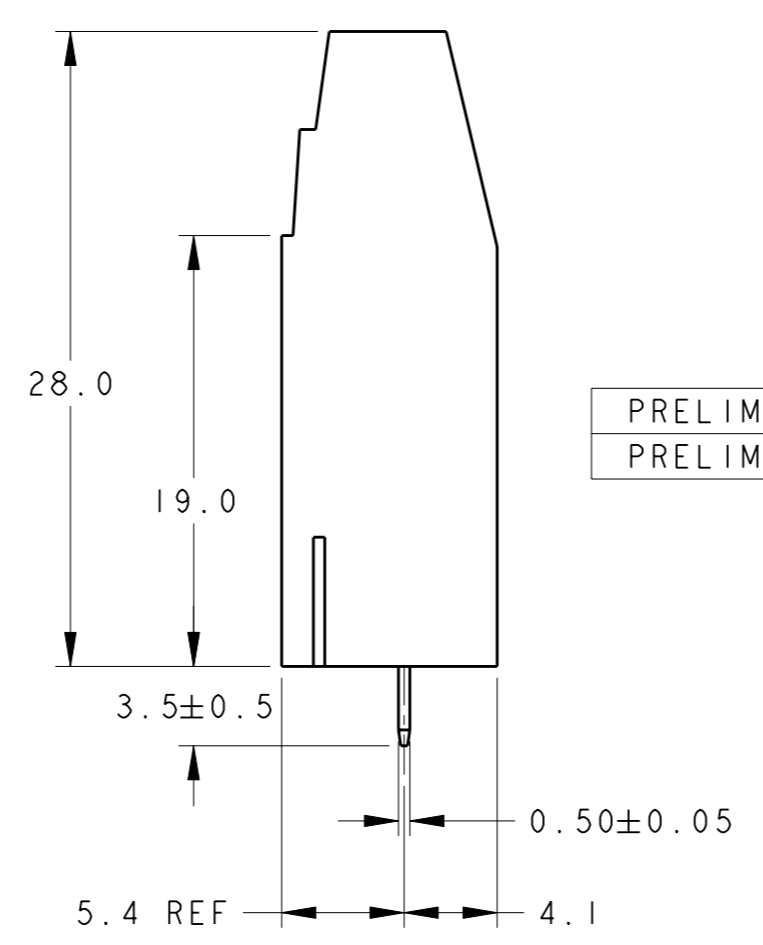
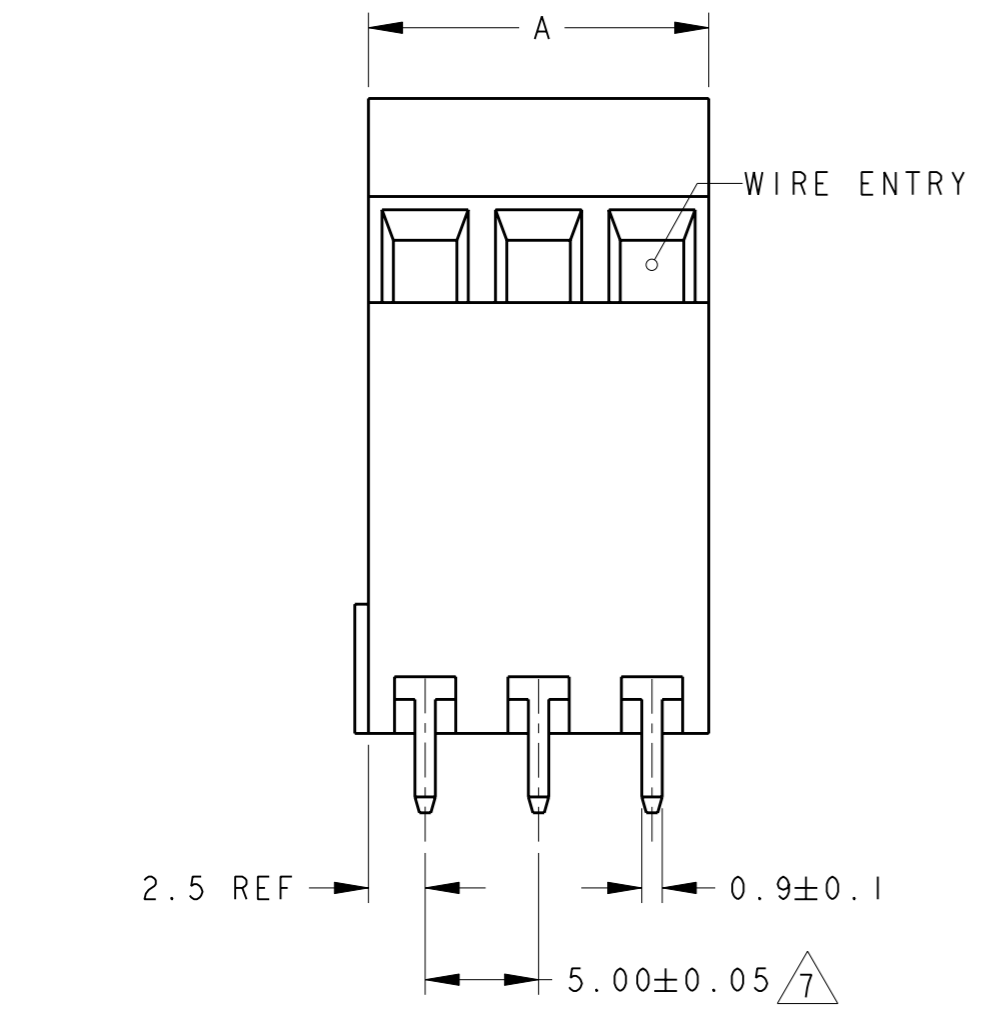
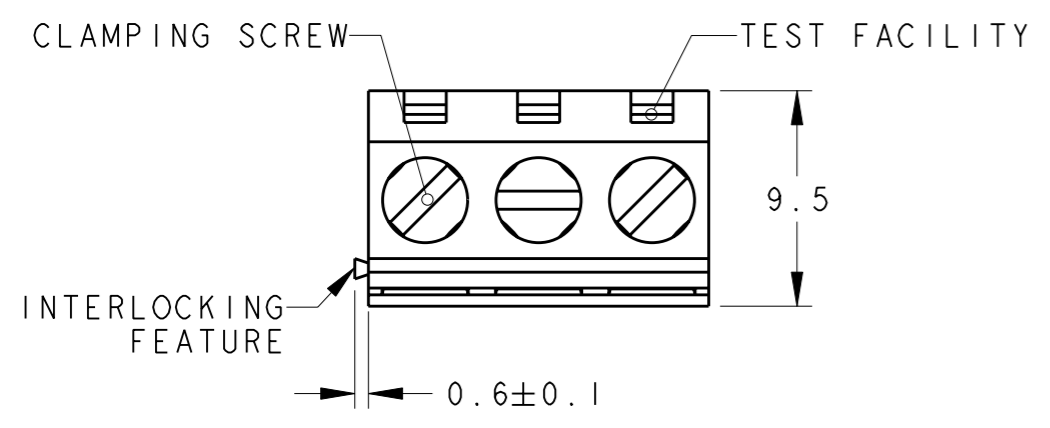
Email & Skype: info@chipsmall.com Web: www.chipsmall.com

Address: A1208, Overseas Decoration Building, #122 Zhenhua RD., Futian, Shenzhen, China

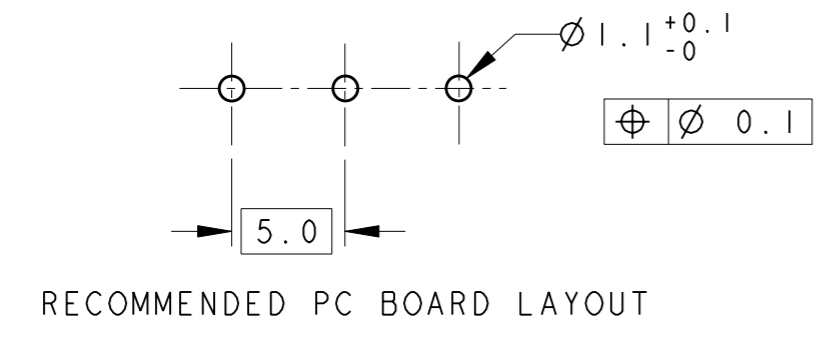


THIS DRAWING IS UNPUBLISHED. RELEASED FOR PUBLICATION 20
 © COPYRIGHT 20 BY TYCO ELECTRONICS CORPORATION. ALL RIGHTS RESERVED.

LOC	DIST	REVISIONS			
P	LTR	DESCRIPTION	DATE	DWN	APVD
FT	0	F2	REVISED PER ECO-11-000339	07JAN2011	HMR CR



MARKING	DIM. A	No POS.	PART NUMBER
-	50.0	10	1-282884-7
-	45.0	9	1-282884-6
-	40.0	8	1-282884-5
-	30.0	6	1-282884-4
SEE SHEET 2	15.0	3	1-282884-3
PRELIMINARY	-	8	1-282884-2
PRELIMINARY	SEE SHEET 2	3	1-282884-1
SEE SHEET 2	50.0	10	1-282884-0
SEE SHEET 2	40.0	8	282884-9
SEE SHEET 2	10.0	2	282884-8
SEE SHEET 2	10.0	2	282884-7
SEE SHEET 2	15.0	3	282884-6
SEE SHEET 2	15.0	3	282884-5
SEE SHEET 2	10.0	2	282884-4
-	15.0	3	282884-3
-	10.0	2	282884-2



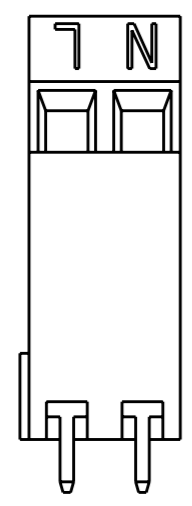
THIS DRAWING IS A CONTROLLED DOCUMENT FOR TYCO ELECTRONICS CORPORATION. IT IS SUBJECT TO CHANGE AND THE CONTROLLING ENGINEERING ORGANIZATION SHOULD BE CONTACTED FOR THE LATEST REVISION.

DWN	02NOV2001	Tyco Electronics Harrisburg, PA 17105-3608	
CHK	E. ZANOLINI		
CHK	D. BIEVENOUR		
APVD	D. BIEVENOUR		
PRODUCT SPEC	108-21066	NAME	TERMINAL BLOCK, PCB MOUNT 3RD LEVEL STACKING W/ INTERLOCK, 5 mm PITCH
APPLICATION SPEC	114-20079	SIZE	A3
WEIGHT	-	CAGE CODE	00779
MATERIAL	FINISH	DRAWING NO	C-282884
CUSTOMER DRAWING		RESTRICTED TO	-

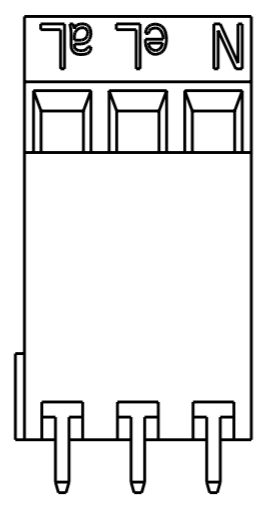
SCALE: 1:1 SHEET 1 OF 3 REV F2

THIS DRAWING IS UNPUBLISHED. RELEASED FOR PUBLICATION 20
 © COPYRIGHT 20 BY TYCO ELECTRONICS CORPORATION. ALL RIGHTS RESERVED.

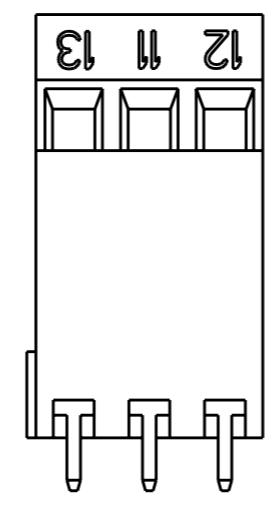
LOC	DIST	REVISIONS			
P	LTR	DESCRIPTION	DATE	DWN	APVD
FT	0	-	SEE SHEET 1	-	-



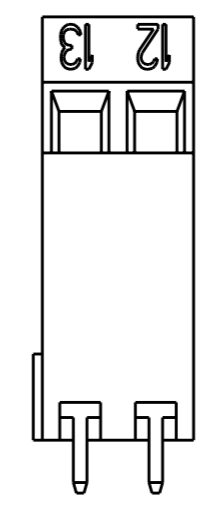
282884-4 AS SHOWN
 8



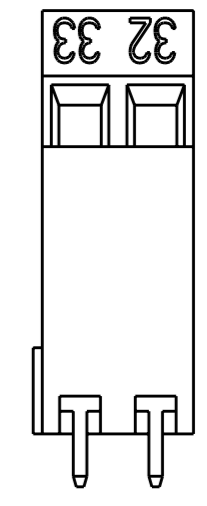
282884-5 AS SHOWN
 8



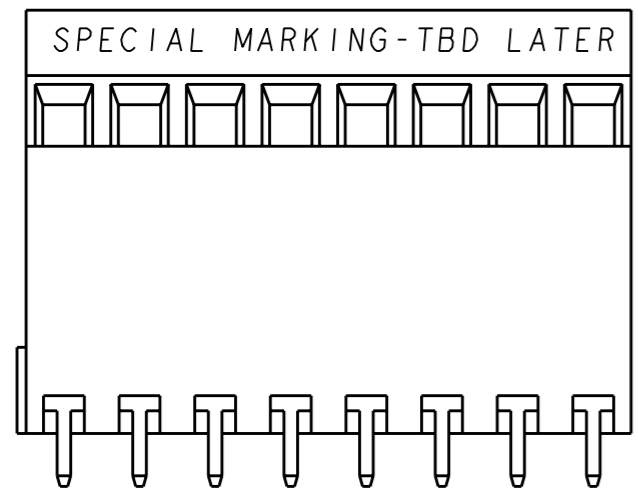
282884-6 AS SHOWN
 8



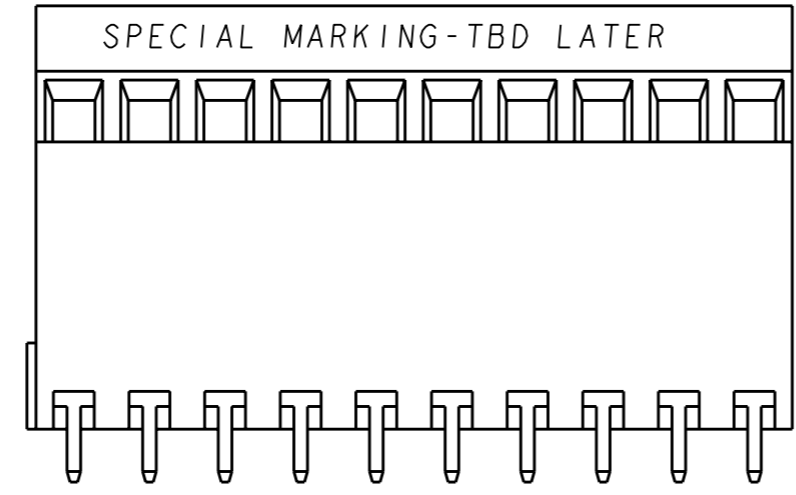
282884-7 AS SHOWN
 8



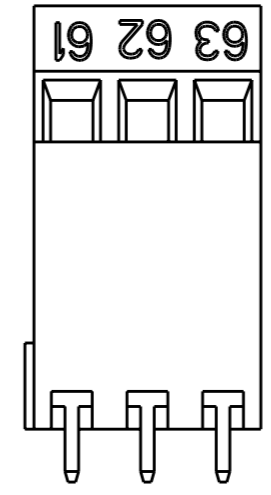
282884-8 AS SHOWN
 8



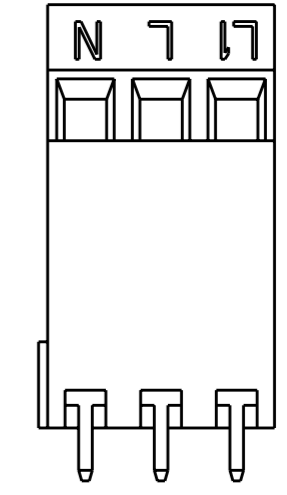
282884-9 AS SHOWN
 8



1-282884-0 AS SHOWN
 8



1-282884-1 AS SHOWN
 8



1-282884-3 AS SHOWN
 8

<small>THIS DRAWING IS A CONTROLLED DOCUMENT FOR TYCO ELECTRONICS CORPORATION IT IS SUBJECT TO CHANGE AND THE CONTROLLING ENGINEERING ORGANIZATION SHOULD BE CONTACTED FOR THE LATEST REVISION.</small>		DWN 02NOV2001 E. ZANOLINI CHK 02NOV2001 D. BIEVENOUR APVD 02NOV2001 D. BIEVENOUR	Tyco Electronics Harrisburg, PA 17105-3608
DIMENSIONS: mm 	TOLERANCES UNLESS OTHERWISE SPECIFIED: 0 PLC ±. 1 PLC ±.3 2 PLC ±.25 3 PLC ±. 4 PLC ±. ANGLES ±2	PRODUCT SPEC 108-21066 APPLICATION SPEC 114-20079 WEIGHT -	NAME TERMINAL BLOCK, PCB MOUNT 3RD LEVEL STACKING W/ INTERLOCK, 5 mm PITCH
MATERIAL -	FINISH -	CUSTOMER DRAWING	SIZE A3 CAGE CODE 00779 DRAWING NO C-282884 RESTRICTED TO - SCALE 2:1 SHEET 2 OF 3 REV F2

THIS DRAWING IS UNPUBLISHED. RELEASED FOR PUBLICATION 20
 © COPYRIGHT 20 BY TYCO ELECTRONICS CORPORATION. ALL RIGHTS RESERVED.

LOC	DIST	REVISIONS			
P	LTR	DESCRIPTION	DATE	DWN	APVD
		SEE SHEET 1	-	-	-

- 1 MATERIALS AND FINISH
 HOUSING: PA 6-6, UL 94-V0, COLOR GREEN.
 CLAMP: BRASS, NICKEL PLATED.
 TERMINAL: BRASS, TIN PLATED.
 CLAMPING SCREW: M3, BRASS, NICKEL PLATED.
- 2. SUITABLE FOR 1,6-2,4mm PC BOARD THICKNESS.
- 3. END-TO-END STACKABLE W/INTERLOCK WITHOUT LOSS OF CENTERLINE SPACING.
- 4. WIRE SIZE RANGE: 16-30 AWG.
- 5. RECOGNIZED UNDER THE COMPONENT PROGRAM OF UNDERWRITERS LABORATORIES INC., FILE N° E60677.
- 6. IMQ CERTIFICATE WITH SURVEILLANCE IN CONFORMITY WITH IEC 998-1/998-2-1.
- 7 NOT CUMULATIVE TOLERANCE.
- 8 INK MARKING, BLACK COLOR
- 9 PART NUMBER IS OBTAINED BY ASSEMBLYING AND GLUING TOGETHER No.4 CONNECTORS P/N 282884-2
- 10 PART NUMBER IS OBTAINED BY ASSEMBLYING AND GLUING TOGETHER No.5 CONNECTORS P/N 282884-2

<small>THIS DRAWING IS A CONTROLLED DOCUMENT FOR TYCO ELECTRONICS CORPORATION IT IS SUBJECT TO CHANGE AND THE CONTROLLING ENGINEERING ORGANIZATION SHOULD BE CONTACTED FOR THE LATEST REVISION.</small>		DWN 02NOV2001 E. ZANOLINI		Tyco Electronics Harrisburg, PA 17105-3608	
DIMENSIONS: mm		TOLERANCES UNLESS OTHERWISE SPECIFIED: 0 PLC ±.3 1 PLC ±.3 2 PLC ±.25 3 PLC ±. 4 PLC ±. ANGLES ±2		NAME TERMINAL BLOCK, PCB MOUNT 3RD LEVEL STACKING W/ INTERLOCK, 5 mm PITCH	
		PRODUCT SPEC 108-21066		SIZE CAGE CODE DRAWING NO RESTRICTED TO A3 00779 C-282884 -	
MATERIAL - FINISH -		APPLICATION SPEC 114-20079		WEIGHT -	
CUSTOMER DRAWING				SCALE 1:1 SHEET 3 OF 3 REV F2	