

Chipsmall Limited consists of a professional team with an average of over 10 year of expertise in the distribution of electronic components. Based in Hongkong, we have already established firm and mutual-benefit business relationships with customers from,Europe,America and south Asia,supplying obsolete and hard-to-find components to meet their specific needs.

With the principle of “Quality Parts,Customers Priority,Honest Operation,and Considerate Service”,our business mainly focus on the distribution of electronic components. Line cards we deal with include Microchip,ALPS,ROHM,Xilinx,Pulse,ON,Everlight and Freescale. Main products comprise IC,Modules,Potentiometer,IC Socket,Relay,Connector.Our parts cover such applications as commercial,industrial, and automotives areas.

We are looking forward to setting up business relationship with you and hope to provide you with the best service and solution. Let us make a better world for our industry!



Contact us

Tel: +86-755-8981 8866 Fax: +86-755-8427 6832

Email & Skype: info@chipsmall.com Web: www.chipsmall.com

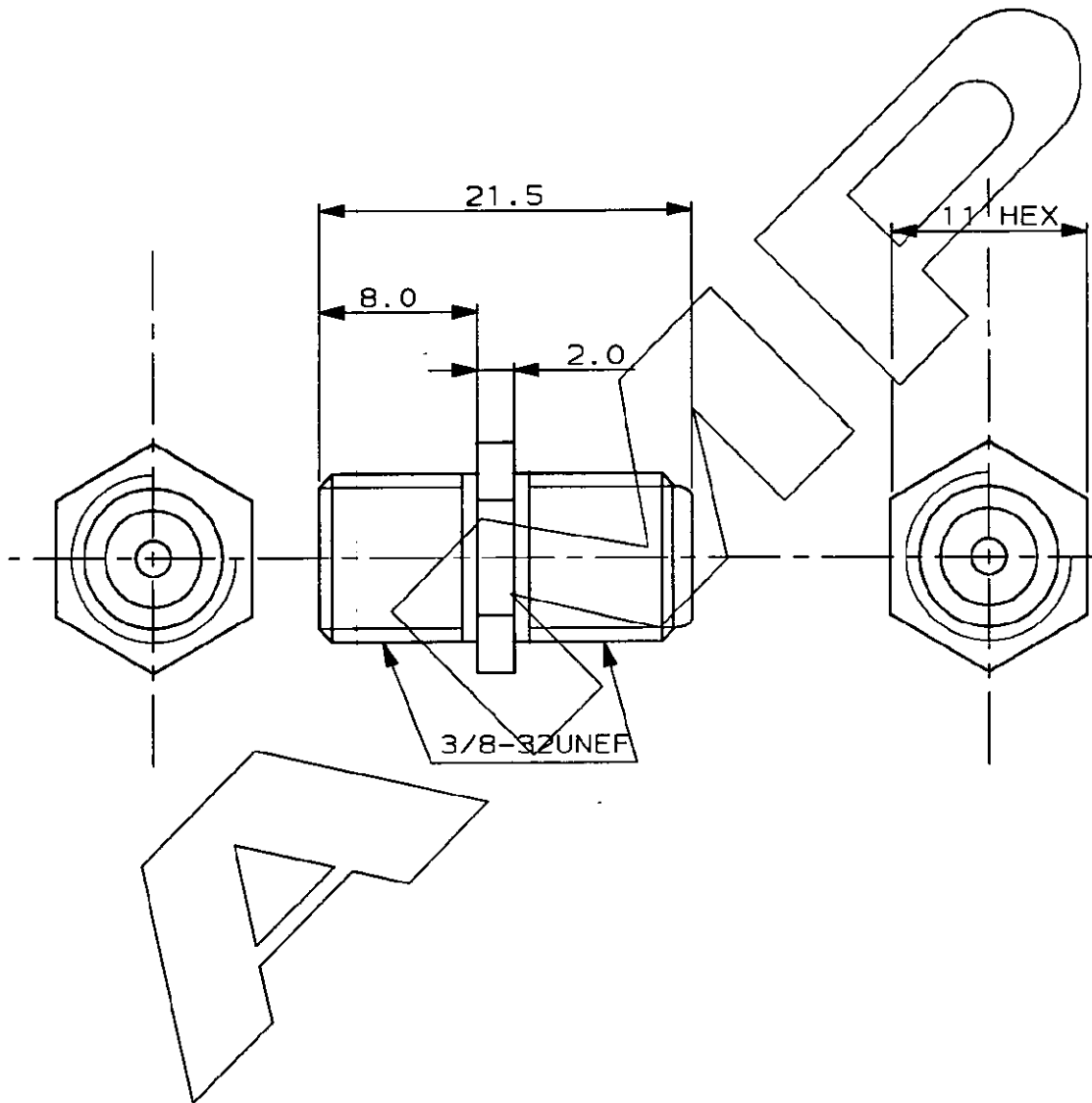
Address: A1208, Overseas Decoration Building, #122 Zhenhua RD., Futian, Shenzhen, China

SCALA NON IMPEGNATIVA
(DO NOT SCALE)
DIMENSIONI IN mm
(DIMENSIONS IN)

METRIC

PROIEZIONE EUROPEA
(EUROPEAN PROJECTION)

A
B
C
D



- 1) PERFORMANCE AS PER AMP SPEC. 108-20168
- 2) P/N 282938-1: 100 PIECES FOR BAG

P/N 282938-2 AS SHOWN

E

CUSTOMER DRAWING
FOR REFERENCE ONLY

DISEGNO PER CLIENTE
SOLO PER RIFERIMENTO

THIS DRAWING IS UNPUBLISHED | RELEASE FOR PUBLICATION | 19

© COPYRIGHT 19 BY AMP INCORPORATED, HARRISBURG, PA. ALL INTERNATIONAL RIGHT RESERVED. AMP PRODUCTS MAY BE COVERED BY U.S. AND FOREIGN PATENT AND/OR PATENT PENDING

TOLLERANZE, SE NON DIVERSAMENTE SPECIFICATO
(TOLERANCES, UNLESS OTHERWISE SPECIFIED)

± 0.3

ANGOLI (ANGLES) ± 2°

DIAM. ISOLANTE (INS. DIA. RANGE)

RANGO FILO (WIRE RANGE)

SCALA (SCALE)

2.5:1

AMP

AMP ITALIA S.p.A.
Corso F.lli Cervi, 15
COLLEGNO (TORINO)

DIS. 16 MAY 96 (DR.) M. COLOMBO

DESCRIZIONE (DESCRIPTION)

FEMALE/FEMALE "F" SPLICE

B RELEASED, ET00-0475-96

A FIRST ISSUE, ET00-0216-96

REV. REVISIONI (REVISION RECORD)

DIS DATA (DR) (DATE)

CONT. 16 MAY 96 (CHK) L. MARCHITTO

APP. 16 MAY 96 (APP.) C. MARTINS

LOC. SIZE NUMERO (DWG NO)

I A4 C-282938

REV.

B

FOGLIO (SHEET)

1 DI (OF) 1

DISTRIBUZIONE (PRINT DIST.)