



Chipsmall Limited consists of a professional team with an average of over 10 year of expertise in the distribution of electronic components. Based in Hongkong, we have already established firm and mutual-benefit business relationships with customers from,Europe,America and south Asia,supplying obsolete and hard-to-find components to meet their specific needs.

With the principle of “Quality Parts,Customers Priority,Honest Operation,and Considerate Service”,our business mainly focus on the distribution of electronic components. Line cards we deal with include Microchip,ALPS,ROHM,Xilinx,Pulse,ON,Everlight and Freescale. Main products comprise IC,Modules,Potentiometer,IC Socket,Relay,Connector.Our parts cover such applications as commercial,industrial, and automotives areas.

We are looking forward to setting up business relationship with you and hope to provide you with the best service and solution. Let us make a better world for our industry!



## Contact us

Tel: +86-755-8981 8866 Fax: +86-755-8427 6832

Email & Skype: info@chipsmall.com Web: www.chipsmall.com

Address: A1208, Overseas Decoration Building, #122 Zhenhua RD., Futian, Shenzhen, China



THIS DRAWING IS UNPUBLISHED.

RELEASED FOR PUBLICATION

20

© COPYRIGHT 20

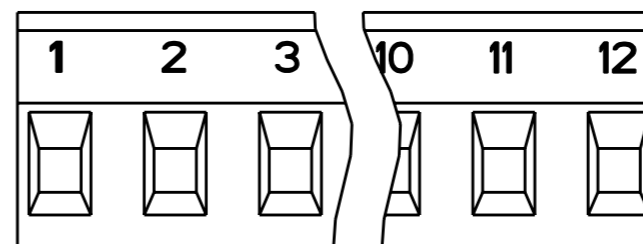
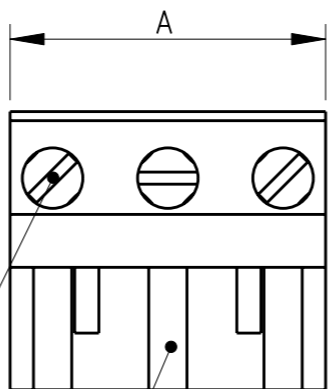
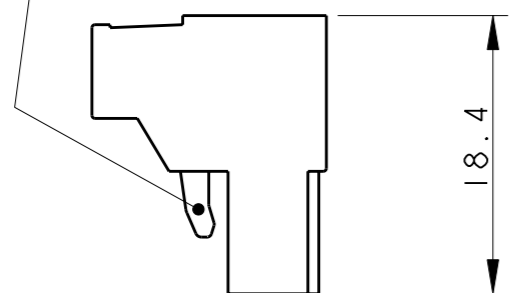
ALL RIGHTS RESERVED.

LOC FT DIST 0

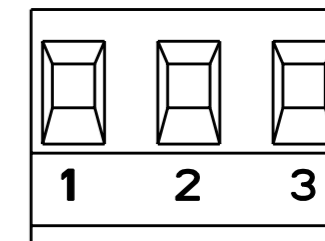
REVISIONS

P	LTR	DESCRIPTION	DATE	DWN	APVD
	C2	REVISED PER ECO-11-008467	25APR2011	HMR	CR

RETENTION LATCH (DISPOSITIVO DI RITENZIONE)



1-282959-5 AS SHOWN



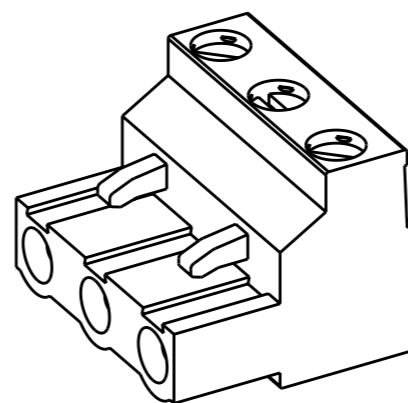
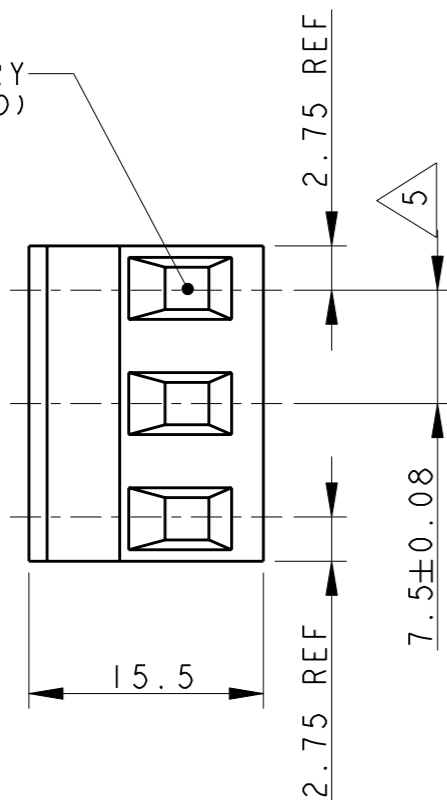
1-282959-6 AS SHOWN

MATING FACE (LATO DI ACCOPPIAMENTO)

CLAMPING SCREW (VITE DI SERRAGGIO)

POLARIZATION KEY SLOT (SEDE PER LINGUETTE DI CODIFICA)

WIRE ENTRY (INGRESSO CAVO)



282959-3 AS SHOWN

	MARKING	COLOUR	DIM.A	N° OF POS.	PART NUMBER
/		GRAY	20.5	3	1-282959-9
6	AS SHOWN	GREEN	20.5	3	1-282959-6
6	AS SHOWN	GREEN	90.0	12	1-282959-5
7	/	GREEN	73.0	10	1-282959-4
7	/	BLACK	20.5	3	1-282959-3
/	/	GREEN	88.0	12	1-282959-2
/	/	GREEN	80.5	11	1-282959-1
/	/	GREEN	73.0	10	1-282959-0
/	/	GREEN	65.5	9	282959-9
/	/	GREEN	58.0	8	282959-8
/	/	GREEN	50.5	7	282959-7
/	/	GREEN	43.0	6	282959-6
/	/	GREEN	35.5	5	282959-5
/	/	GREEN	28.0	4	282959-4
/	/	GREEN	20.5	3	282959-3
/	/	GREEN	13.0	2	282959-2

THIS DRAWING IS A CONTROLLED DOCUMENT.

DIMENSIONS: mm	TOLERANCES UNLESS OTHERWISE SPECIFIED:
	0 PLC ±-
	1 PLC ±0.2
	2 PLC ±0.20
	3 PLC ±0.001
	4 PLC ±0.0001
	ANGLES ±2
MATERIAL	FINISH

DWN	S. SCHLEGEL	25JUN96
CHK	R. CANTORE	25JUN96
APVD	R. CANTORE	25JUN96
PRODUCT SPEC	-	-
APPLICATION SPEC	-	-
WEIGHT	-	-
CUSTOMER DRAWING		

**STE** TE Connectivity

NAME: TERMINAL BLOCK PLUG, 7.5mm PITCH

SIZE	CAGE CODE	DRAWING NO	RESTRICTED TO
A3	00779	C-282959	-

SCALE: 2:1 SHEET 1 OF 2 REV C2

THIS DRAWING IS UNPUBLISHED.

RELEASED FOR PUBLICATION

20

© COPYRIGHT 20

ALL RIGHTS RESERVED.

LOC	DIST	REVISIONS					
P	LTR	DESCRIPTION	DATE	DWN	APVD		
FT	0	-	SEE SHEET I	SEE SHEET I	-	-	-

1 MATERIALS AND FINISH  
 HOUSING: PA 6-6, UL 94-V0.  
 COLOURS: GRAY, RAL 7032.  
 BLACK.  
 GREEN.  
 CLAMP: BRASS, NICKEL PLATED.  
 DOUBLE SIDE CONTACT SPRING: PHOSPHOR BRONZE, TIN PLATED.  
 CLAMPING SCREW: M3, BRASS, NICKEL PLATED.

1 MATERIALI E FINITURE  
 BLOCCHETTO: PA 6-6, UL 94-V0.  
 COLORE: GRIGIO, RAL 7032.  
 NERO.  
 VERDE.  
 MORSETTO: OTTONE NICHELATO.  
 DOPPIA MOLLA DI CONTATTO: BRONZO FOSFOROSO STAGNATO.  
 VITE DI SERRAGGIO: M3, OTTONE NICHELATO.

2 WIRE SIZE RANGE  
 SOLID WIRE: 0,03-2,5mm<sup>2</sup> (13AWG).  
 STRANDED WIRE: 0,03-1,5mm<sup>2</sup> (15AWG).

2 CAPACITA' DI CONNESSIONE  
 CAVO UNIPOLARE: 0,03-2,5mm<sup>2</sup> (13AWG).  
 CAVO TREFOLATO: 0,03-1,5mm<sup>2</sup> (15AWG).

3 RECOGNIZED UNDER THE COMPONENT PROGRAM OF  
 UNDERWRITERS LABORATORIES INC. FILE N° E60677.

3 PRODOTTO OMOLOGATO DA UNDERWRITERS  
 LABORATORIES INC. FILE N° E60677.

4 IMQ CERTIFICATE WITH SURVEILLANCE IN  
 CONFORMITY WITH IEC 998-1/998-2-1.

4 CERTIFICATO CON SORVEGLIANZA IMQ IN CONFORMITA'  
 AGLI STANDARD IEC 998-1/998-2-1.

5 NOT CUMULATIVE TOLERANCE.


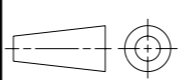
5 TOLLERANZA NON CUMULATIVA.

6 INK MARKING : BLACK COLOUR  
 NUMERICAL SEQUENCE : FROM LEFT TO RIGHT,  
 WIRE ENTRY SIDE

6 MARCHIATURA AD INCHIOSTRO : COLORE NERO  
 SEQUENZA NUMERICA : DA SINISTRA VERSO DESTRA,  
 LATO INGRESSO CAVO

7 NOT YET RELEASED FOR PRODUCTION

7 NON RILASCIATO IN PRODUZIONE

THIS DRAWING IS A CONTROLLED DOCUMENT.		DWN S. SCHLEGEL	25JUN96	 TE Connectivity	
DIMENSIONS: mm		CHK R. CANTORE	25JUN96		
TOLERANCES UNLESS OTHERWISE SPECIFIED:		APVD R. CANTORE	25JUN96	NAME TERMINAL BLOCK PLUG, 7.5mm PITCH	
		PRODUCT SPEC		RESTRICTED TO	
0 PLC ±- 1 PLC ±0.2 2 PLC ±0.20 3 PLC ±0.001 4 PLC ±0.0001 ANGLES ±2		APPLICATION SPEC		SIZE A3	CAGE CODE 00779
MATERIAL -		WEIGHT -		DRAWING NO C-282959	
FINISH -		CUSTOMER DRAWING		SCALE	SHEET 2 OF 2
				REV C2	