



Chipsmall Limited consists of a professional team with an average of over 10 year of expertise in the distribution of electronic components. Based in Hongkong, we have already established firm and mutual-benefit business relationships with customers from,Europe,America and south Asia,supplying obsolete and hard-to-find components to meet their specific needs.

With the principle of “Quality Parts,Customers Priority,Honest Operation,and Considerate Service”,our business mainly focus on the distribution of electronic components. Line cards we deal with include Microchip,ALPS,ROHM,Xilinx,Pulse,ON,Everlight and Freescale. Main products comprise IC,Modules,Potentiometer,IC Socket,Relay,Connector.Our parts cover such applications as commercial,industrial, and automotives areas.

We are looking forward to setting up business relationship with you and hope to provide you with the best service and solution. Let us make a better world for our industry!



## Contact us

Tel: +86-755-8981 8866 Fax: +86-755-8427 6832

Email & Skype: info@chipsmall.com Web: www.chipsmall.com

Address: A1208, Overseas Decoration Building, #122 Zhenhua RD., Futian, Shenzhen, China



THIS DRAWING IS UNPUBLISHED.

RELEASED FOR PUBLICATION

20

LOC

DIST

REVISIONS

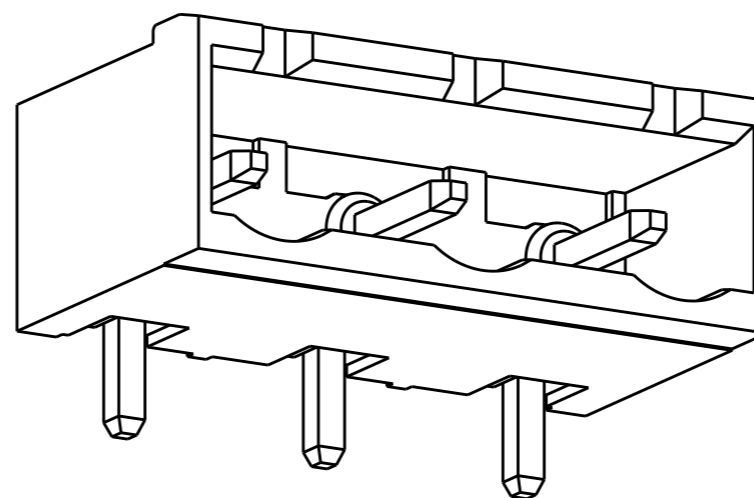
© COPYRIGHT 20

ALL RIGHTS RESERVED.

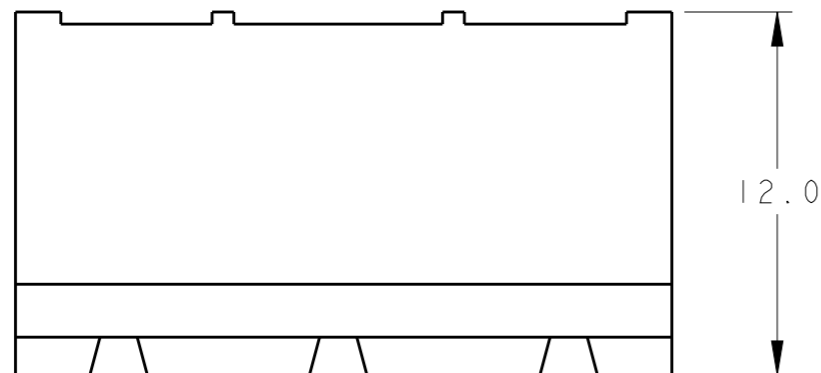
FT

0

P	LTR	DESCRIPTION	DATE	DWN	APVD
	C3	REVISED PER ECO-13-003609	01MAR2013	KH	MB

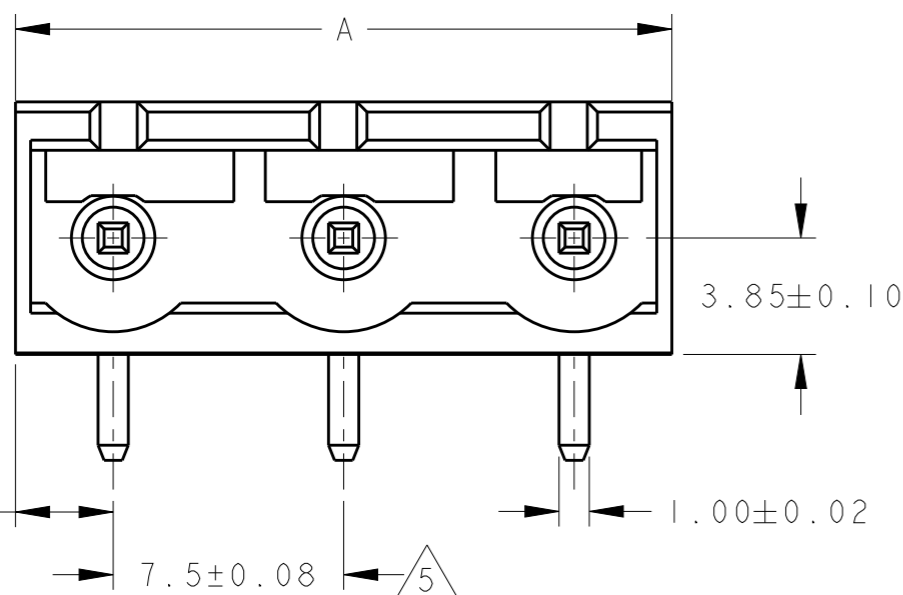


282962-3 AS SHOWN



12.0

- 1 MATERIALS AND FINISH  
HOUSING: PA 6-6, UL 94-V0, COLOR: SEE TABLE.  
TERMINAL: COPPER ALLOY, TIN PLATED.
- 2 SUITABLE FOR 1,6-2,4mm PC BOARD THICKNESS.
- 3 RECOGNIZED UNDER THE COMPONENT PROGRAM OF  
UNDERWRITERS LABORATORIES INC. FILE N° E60677.
- 4 IMQ CERTIFICATE WITH SURVEILLANCE IN CONFORMITY  
WITH IEC 998-1/998-2-1.
- 5 NOT CUMULATIVE TOLERANCE

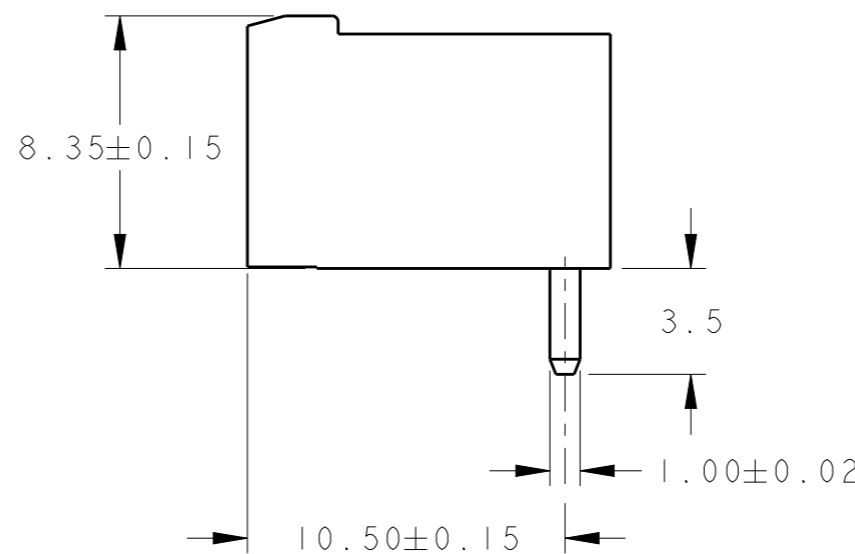


3.85±0.10

3.35 REF

7.5±0.08

1.00±0.02



8.35±0.15

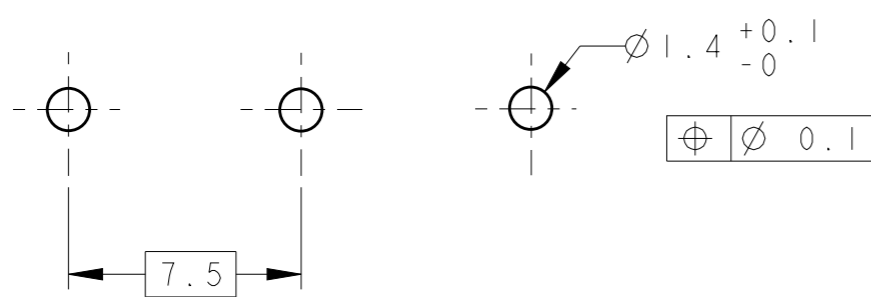
3.5

1.00±0.02

10.50±0.15

COLOR	DIM. A	N° OF POS.	PART NUMBER
GRAY	21.70	3	1-282962-3
GREEN	89.20	12	1-282962-2
GREEN	81.70	11	1-282962-1
GREEN	74.20	10	1-282962-0
GREEN	66.70	9	282962-9
GREEN	59.20	8	282962-8
GREEN	51.70	7	282962-7
GREEN	44.20	6	282962-6
GREEN	36.70	5	282962-5
GREEN	29.20	4	282962-4
GREEN	21.70	3	282962-3
GREEN	14.20	2	282962-2

RECOMMENDED PC BOARD LAYOUT



7.5

1.4 +0.1/-0

0.1

THIS DRAWING IS A CONTROLLED DOCUMENT.

DIMENSIONS:

mm

TOLERANCES UNLESS OTHERWISE SPECIFIED:

- 0 PLC ±-
- 1 PLC ±.3
- 2 PLC ±.25
- 3 PLC ±-
- 4 PLC ±-
- ANGLES ±2

MATERIAL

FINISH

DWN 14DEC2001

E. ZANOLINI

CHK 14DEC2001

D. BIEVENOUR

APVD 14DEC2001

D. BIEVENOUR

PRODUCT SPEC

108-20166

APPLICATION SPEC

114-20079

WEIGHT -

CUSTOMER DRAWING



NAME  
**TERMINAL BLOCK, HEADER ASSEMBLY**  
 90 DEG CLOSED ENDS  
 7.5mm PITCH

SIZE CAGE CODE DRAWING NO RESTRICTED TO

A300779 C-282962

SCALE 4:1 SHEET 1 OF 1 REV C3