



Chipsmall Limited consists of a professional team with an average of over 10 year of expertise in the distribution of electronic components. Based in Hongkong, we have already established firm and mutual-benefit business relationships with customers from,Europe,America and south Asia,supplying obsolete and hard-to-find components to meet their specific needs.

With the principle of “Quality Parts,Customers Priority,Honest Operation,and Considerate Service”,our business mainly focus on the distribution of electronic components. Line cards we deal with include Microchip,ALPS,ROHM,Xilinx,Pulse,ON,Everlight and Freescale. Main products comprise IC,Modules,Potentiometer,IC Socket,Relay,Connector.Our parts cover such applications as commercial,industrial, and automotives areas.

We are looking forward to setting up business relationship with you and hope to provide you with the best service and solution. Let us make a better world for our industry!



Contact us

Tel: +86-755-8981 8866 Fax: +86-755-8427 6832

Email & Skype: info@chipsmall.com Web: www.chipsmall.com

Address: A1208, Overseas Decoration Building, #122 Zhenhua RD., Futian, Shenzhen, China



4

3

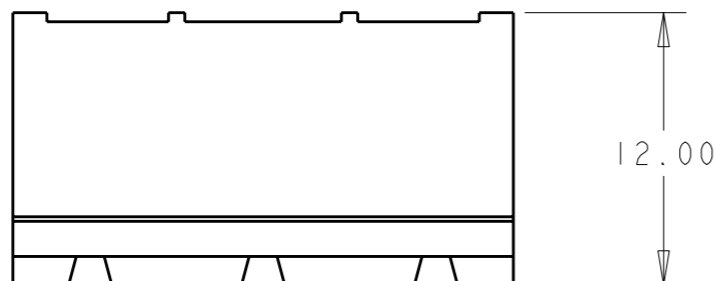
2

1

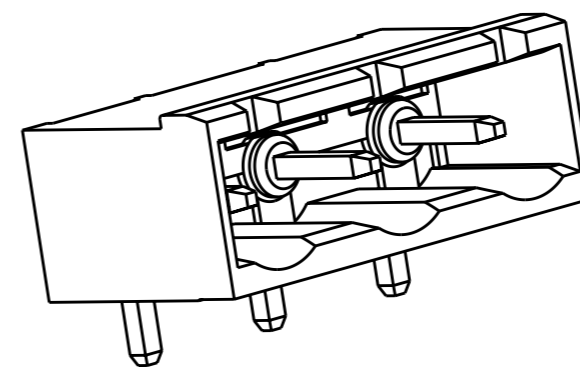
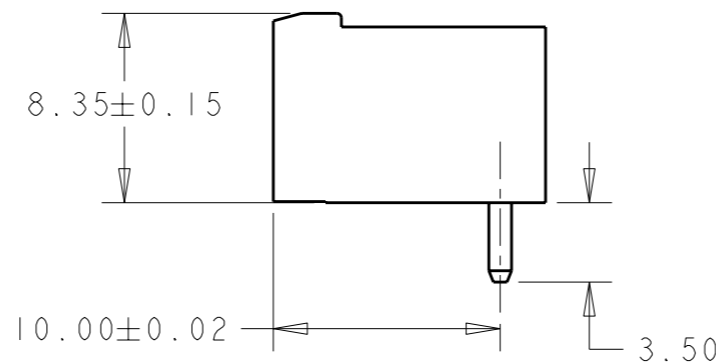
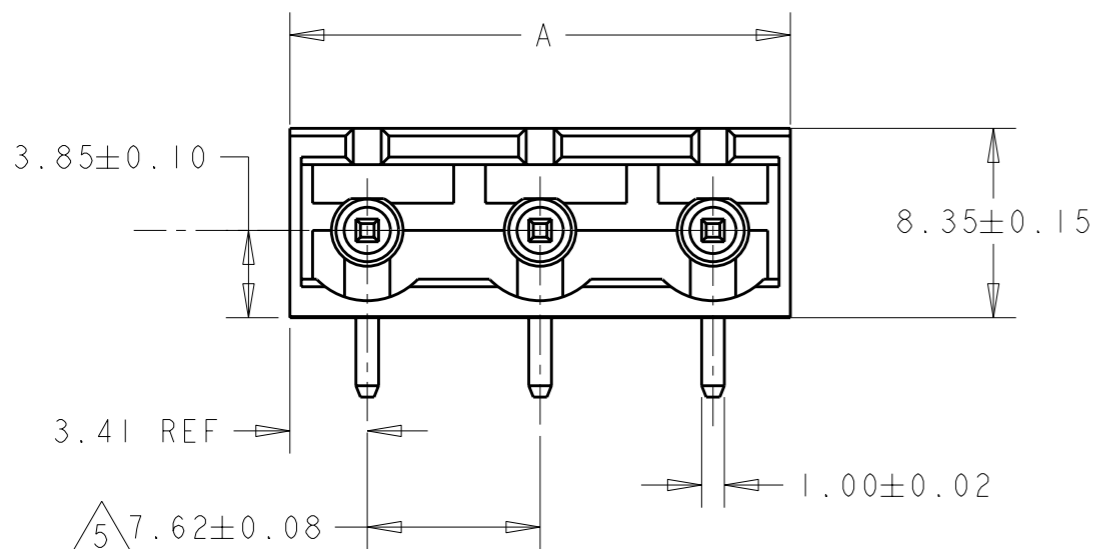
THIS DRAWING IS UNPUBLISHED. RELEASED FOR PUBLICATION 20

© COPYRIGHT 20 Tyco Electronics AMP GmbH ALL RIGHTS RESERVED.

LOC	DIST	REVISIONS			
P	LTR	DESCRIPTION	DATE	DWN	APVD
FT	0	D1	REVISED PER ECO-12-007964	02MAY2012	KH MS

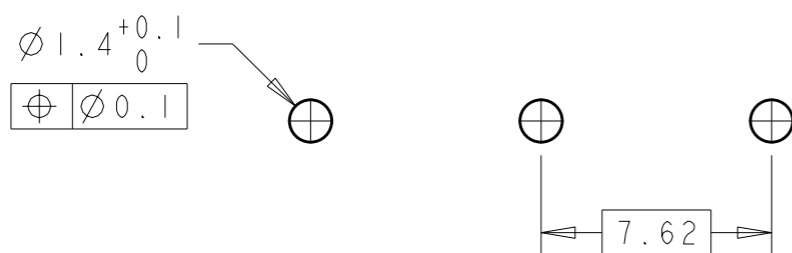


- 1 MATERIALS AND FINISH
HOUSING: PA 6-6, UL 94-V0, COLOR GREEN.
TERMINAL: COPPER ALLOY, TIN PLATED.
- 2 SUITABLE FOR 1,6-2,4mm PC BOARD THICKNESS.
- 3 RECOGNIZED UNDER THE COMPONENT PROGRAM OF UNDERWRITERS LABORATORIES INC., FILE N° E60677.
- 4 IMQ CERTIFICATE WITH SURVEILLANCE IN CONFORMITY WITH IEC 998-1/998-2-1.
- 5 NOT CUMULATIVE TOLERANCE.
- 6 30 MICRO INCH GOLD PLATING MATING AREA OF PIN



282966-3 AS SHOWN

6	60.16	8	3-282966-8
6	44.92	6	3-282966-6
	90.64	12	1-282966-2
	83.02	11	1-282966-1
	75.40	10	1-282966-0
	67.78	9	282966-9
	60.16	8	282966-8
	52.54	7	282966-7
	44.92	6	282966-6
	37.30	5	282966-5
	29.68	4	282966-4
	22.06	3	282966-3
	14.44	2	282966-2
DIM. A	N° OF POS.	PART NUMBER	



RECOMMENDED PC BOARD LAYOUT

THIS DRAWING IS A CONTROLLED DOCUMENT.		DWN E. ZANOLINI 18JUL2001		TE Connectivity	
DIMENSIONS: mm		CHK D. BIEVENOUR 18JUL2001			
TOLERANCES UNLESS OTHERWISE SPECIFIED:		APVD D. BIEVENOUR 18JUL2001		NAME	
0 PLC ±-		PRODUCT SPEC		TERMINAL BLOCK HEADER ASSEMBLY	
1 PLC ±0.2		108-20166		90 DEGREE CLOSED ENDS	
2 PLC ±0.25		APPLICATION SPEC		7.62 mm PITCH	
3 PLC ±-		114-20079		SIZE	
4 PLC ±-		WEIGHT -		CAGE CODE	
ANGLES ±2		CUSTOMER DRAWING		DRAWING NO	
MATERIAL		FINISH		RESTRICTED TO	
				A300779 C-282966	
				SCALE NTS SHEET 1 OF 1 REV D1	