



Chipsmall Limited consists of a professional team with an average of over 10 year of expertise in the distribution of electronic components. Based in Hongkong, we have already established firm and mutual-benefit business relationships with customers from,Europe,America and south Asia,supplying obsolete and hard-to-find components to meet their specific needs.

With the principle of “Quality Parts,Customers Priority,Honest Operation,and Considerate Service”,our business mainly focus on the distribution of electronic components. Line cards we deal with include Microchip,ALPS,ROHM,Xilinx,Pulse,ON,Everlight and Freescale. Main products comprise IC,Modules,Potentiometer,IC Socket,Relay,Connector.Our parts cover such applications as commercial,industrial, and automotives areas.

We are looking forward to setting up business relationship with you and hope to provide you with the best service and solution. Let us make a better world for our industry!



Contact us

Tel: +86-755-8981 8866 Fax: +86-755-8427 6832

Email & Skype: info@chipsmall.com Web: www.chipsmall.com

Address: A1208, Overseas Decoration Building, #122 Zhenhua RD., Futian, Shenzhen, China



THIS DRAWING IS UNPUBLISHED.

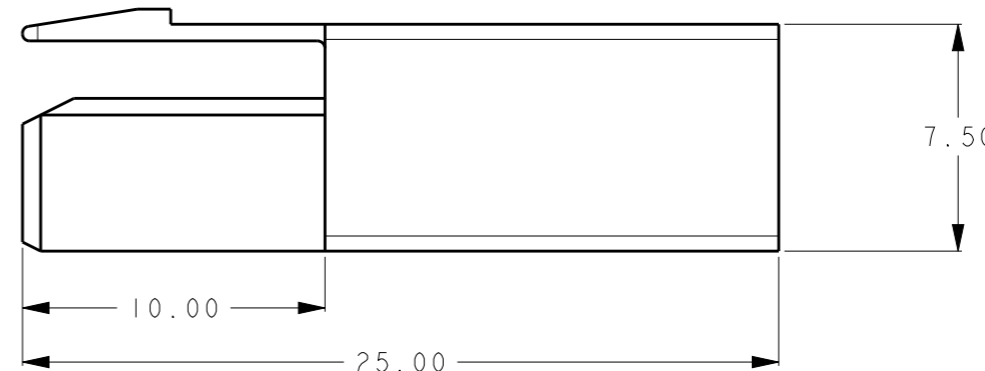
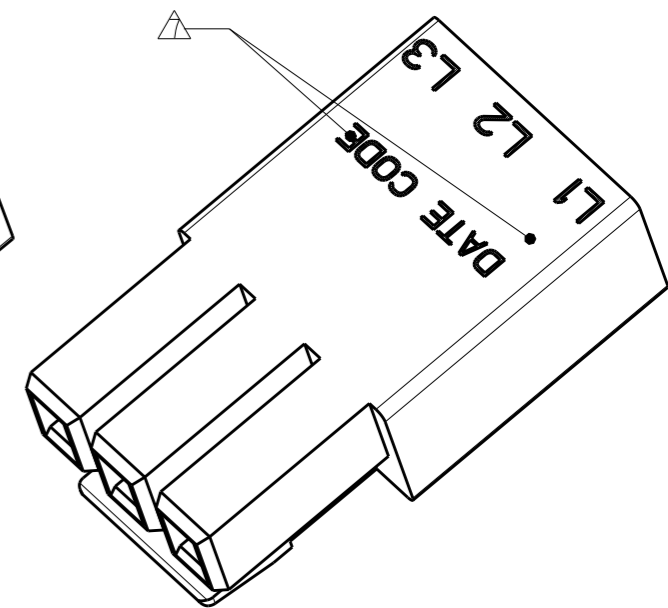
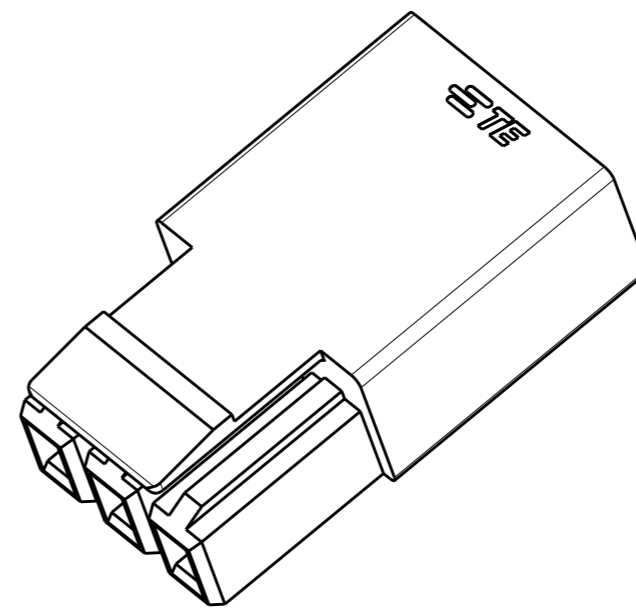
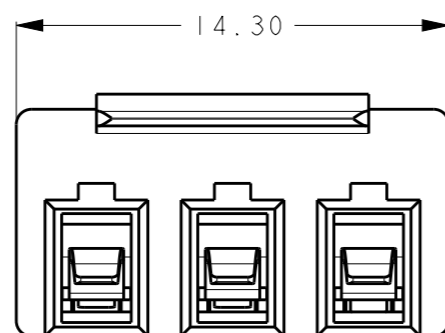
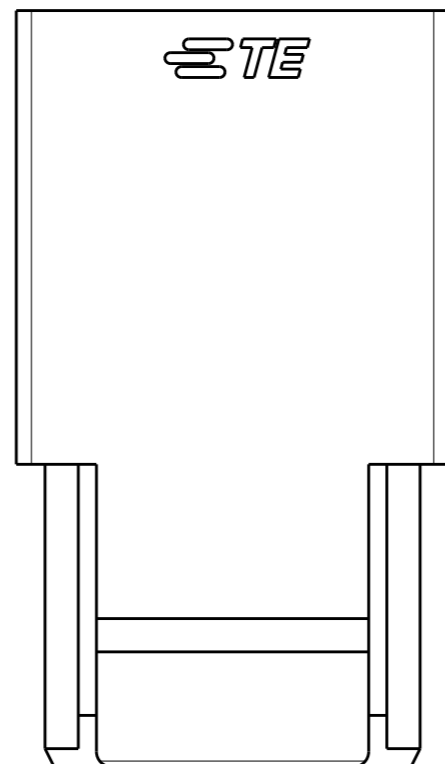
RELEASED FOR PUBLICATION

20

© COPYRIGHT 20 BY - ALL RIGHTS RESERVED.

REVISIONS

P	LTR	DESCRIPTION	DATE	DWN	APVD
	A	INITIAL RELEASE	11 JULY 2016	W. Z	X. X




DATE CODE
 YY WW X
 ↑ ↑ ↑
 YY=YEAR
 EX: 16=2016
 WW=WEEK
 EX: 12=12
 X=DAY
 EX: 5=5

NOTE:

- PART NUMBER: SEE TABLE.
 - MATERIAL:
 TERMINAL: COPPER ALLOY
 HOUSING: THERMOPLASTIC, UL94-V0.
 - FINISH
 TERMINAL: TIN PLATING OVERALL.
 - PACKAGING: PLASTIC BAG.
 - APPLICABLE WIRE:
 SOLID: 18-22AWG
 STRANDED WIRE: 16-20AWG(26 STRANDS MAX. FOR 16AWG
 16 STRANDS MAX. FOR 18AWG, 7 STRANDS MAX. FOR 20AWG)
- △ MARK APPROXIMATION LOCATION.

2834054-4	2834055-4	RED
2834054-3	2834055-3	ORANGE
2834054-2	2834055-2	BLACK
2834054-1	2834055-1	NATURAL
PART NUMBER	MATING PART	PART COLOR

THIS DRAWING IS A CONTROLLED DOCUMENT.		DWN 18DEC2015 ZHANG WEI	 TE Connectivity	
DIMENSIONS: mm		CHK 18DEC2015 SHI MING		
TOLERANCES UNLESS OTHERWISE SPECIFIED: ±0.50		APVD 18DEC2015 XU XIANG	NAME 3 PIN WIRE TO WIRE CONNECTOR PLUG ASSEMBLY	
0-PLC ± 1-PLC ± 2-PLC ± 3-PLC ± 4-PLC ± ANGLES ±1°		PRODUCT SPEC 108-137160	SIZE CAGE CODE DRAWING NO RESTRICTED TO	
MATERIAL -		APPLICATION SPEC 114-137160	A300779 C-2834054	
FINISH -		WEIGHT 1.95g	SCALE 2:1 SHEET 1 OF 2 REV A	
		CUSTOMER DRAWING		

THIS DRAWING IS UNPUBLISHED.

RELEASED FOR PUBLICATION

20

© COPYRIGHT 20 BY -

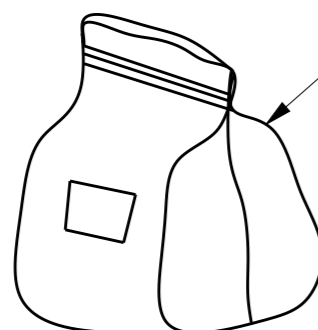
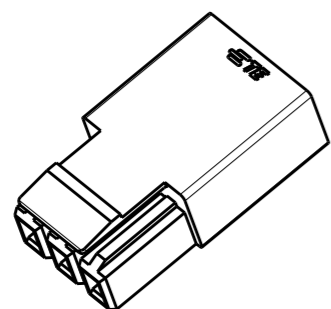
ALL RIGHTS RESERVED.

REVISIONS

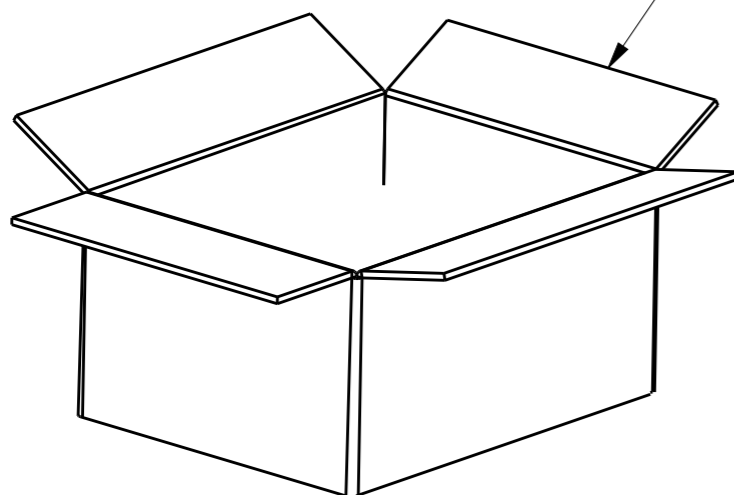
P	LTR	DESCRIPTION	DATE	DWN	APVD
-		SEE SHEET 1	-	-	-

NOTE:
1. PACKAGING QUANTITY: SEE TABLE.

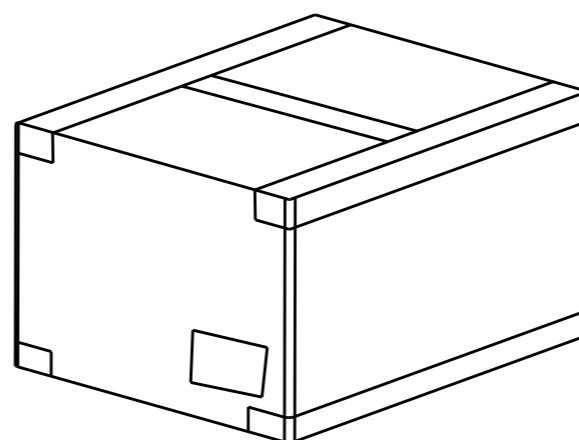
PAIRS PER BAG	BAGS PER CARTON	PAIRS PER CARTON
400	6	2400



PLASTIC BAG



CARTON



THIS DRAWING IS A CONTROLLED DOCUMENT.

DIMENSIONS:	TOLERANCES UNLESS OTHERWISE SPECIFIED:
mm	
	0 PLC ±
	1 PLC ±
	2 PLC ±
	3 PLC ±
	4 PLC ±
	ANGLES ± 1°
MATERIAL	FINISH
-	-
-	-

DWN	ZHANG WEI	18DEC2015
CHK	SHI MING	18DEC2015
APVD	XU XIANG	18DEC2015
PRODUCT SPEC	108-137160	
APPLICATION SPEC	114-137160	
WEIGHT	1.95g	
CUSTOMER DRAWING		



NAME
3 PIN WIRE TO WIRE CONNECTOR
PLUG ASSEMBLY

SIZE	CAGE CODE	DRAWING NO	RESTRICTED TO
A3	00779	C=2834054	-
SCALE 2:1		SHEET 2 OF 2	REV A