



Chipsmall Limited consists of a professional team with an average of over 10 year of expertise in the distribution of electronic components. Based in Hongkong, we have already established firm and mutual-benefit business relationships with customers from,Europe,America and south Asia,supplying obsolete and hard-to-find components to meet their specific needs.

With the principle of “Quality Parts,Customers Priority,Honest Operation,and Considerate Service”,our business mainly focus on the distribution of electronic components. Line cards we deal with include Microchip,ALPS,ROHM,Xilinx,Pulse,ON,Everlight and Freescale. Main products comprise IC,Modules,Potentiometer,IC Socket,Relay,Connector.Our parts cover such applications as commercial,industrial, and automotives areas.

We are looking forward to setting up business relationship with you and hope to provide you with the best service and solution. Let us make a better world for our industry!



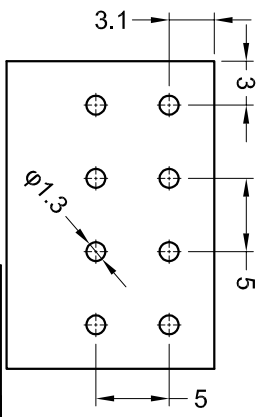
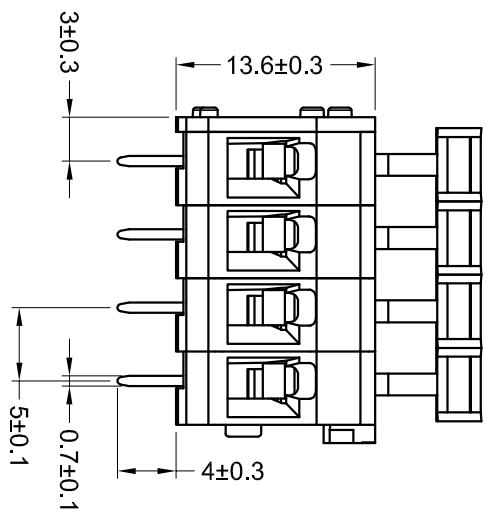
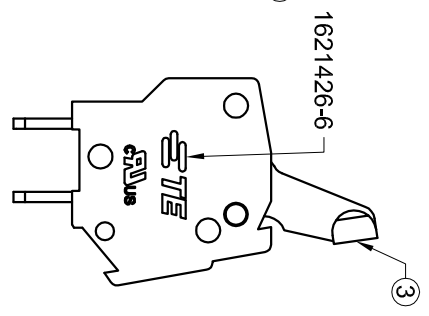
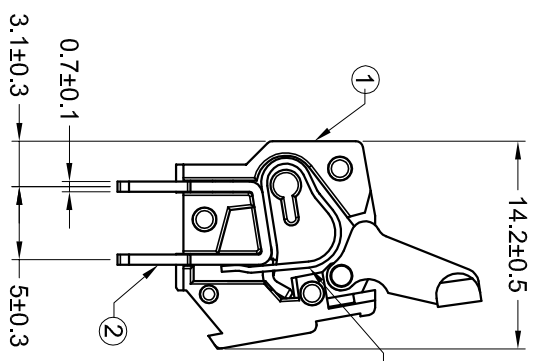
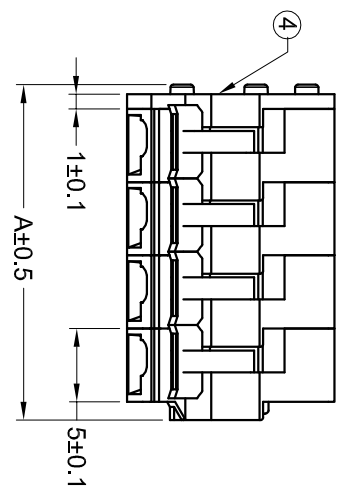
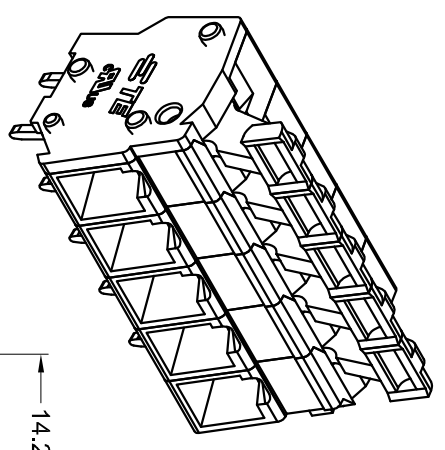
Contact us

Tel: +86-755-8981 8866 Fax: +86-755-8427 6832

Email & Skype: info@chipsmall.com Web: www.chipsmall.com

Address: A1208, Overseas Decoration Building, #122 Zhenhua RD., Futian, Shenzhen, China





NO. OF POSITIONS	PART NO
2 POSN	2834080-1
3 POSN	2834080-2
4 POSN	2834080-3
5 POSN	2834080-4
7 POSN	2834080-6
8 POSN	2834080-7

DESCRIPTION	DATE	DMN	APV3
REVISIONS			
1			
2			
3			
4			
5			
6			
7			
8			

- NOTES :
- △ MATERIALS AND FINISH:
 - HOUSING: PA66
 - CONTACTS: BRASS, FINISH: TIN OVER NICKEL UNDERPLATE
 - 2. MUST COMPLY WITH DIRECTIVE 2002/95/EC (RoHS)
 - 3. WIRE TYPES AND SIZES ACCEPTED
 - WIRE RANGE: 12AWG~28AWG.
 - STRIP LENGTH: 5~6mm
 - 4. PACKAGED IN TRAY.
 - 5. CURRENT RATING: 20Amp AC300V.
 - 6. OPERATION TEMPERATURE: -40°C TO +105°C
 - 7. THIS PART NO. IS THE SAME STRUCTURE AS THE SERIES: 2834080
 - THE DATASHEET AND MORE DETAILS PLEASE FOLLOW THE SERIES: 2834080

THIS DRAWING IS A CONTROLLED DOCUMENT.

DATE: 20DEC2015
 ENG: SH. LANG
 DESIGNED BY: SH. LANG
 CHECKED BY: SH. LANG
 APPROVED BY: SH. LANG
 PRODUCT CODE: 108-137148
 PART NUMBER: 114-137148
 VERSION: 1

5.00mm Horizontal Entry Screwless Connector

STE TE Connectivity

SIZE: A2
 CODE: 00779
 C-2834080

SCALE: 1:1
 SHEET: 1 OF 1
 REV: 3