



Chipsmall Limited consists of a professional team with an average of over 10 year of expertise in the distribution of electronic components. Based in Hongkong, we have already established firm and mutual-benefit business relationships with customers from,Europe,America and south Asia,supplying obsolete and hard-to-find components to meet their specific needs.

With the principle of “Quality Parts,Customers Priority,Honest Operation,and Considerate Service”,our business mainly focus on the distribution of electronic components. Line cards we deal with include Microchip,ALPS,ROHM,Xilinx,Pulse,ON,Everlight and Freescale. Main products comprise IC,Modules,Potentiometer,IC Socket,Relay,Connector.Our parts cover such applications as commercial,industrial, and automotives areas.

We are looking forward to setting up business relationship with you and hope to provide you with the best service and solution. Let us make a better world for our industry!



Contact us

Tel: +86-755-8981 8866 Fax: +86-755-8427 6832

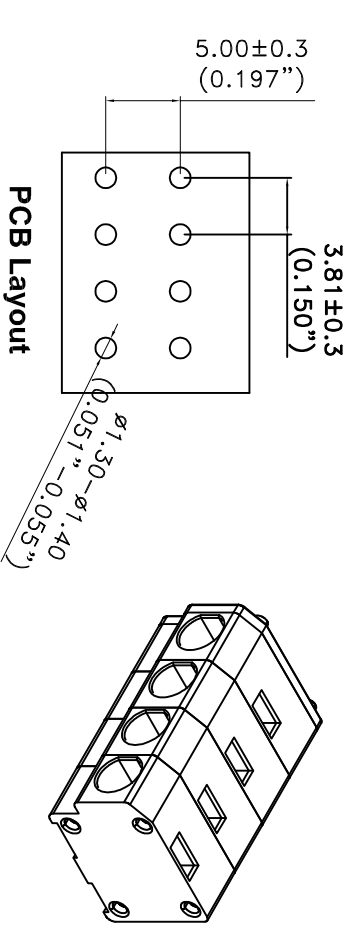
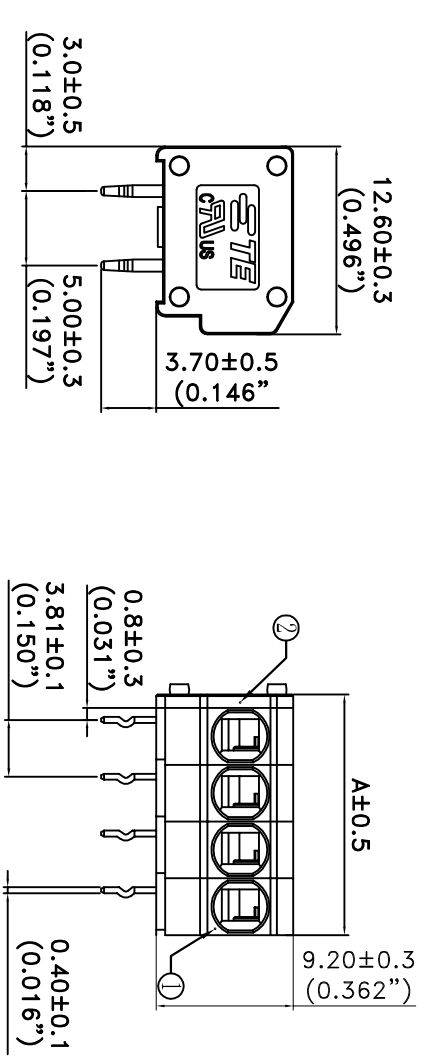
Email & Skype: info@chipsmall.com Web: www.chipsmall.com

Address: A1208, Overseas Decoration Building, #122 Zhenhua RD., Futian, Shenzhen, China



REV	DATE	DMN	APP'D
1	24/02/2015	GF	SJM

REV	DATE	DMN	APP'D
1	24/02/2015	GF	SJM



PCB Layout

NOTES :

△ MATERIALS AND FINISH:

- 1. HOUSING: PA66
- 2. CONTACTS: COPPER, FINISH: TIN OVER COPPER UNDERPLATE
- 3. MUST COMPLY WITH DIRECTIVE 2002/95/EC (ROHS)
- 4. WIRE TYPES AND SIZES ACCEPTED
- 5. WIRE RANGE: 16AWG~20AWG.
- 6. STRIP LENGTH: 9.0mm~10.0mm
- 7. PACKAGED IN TRAY.
- 8. CURRENT RATING: 8AMP AC300V.
- 9. OPERATION TEMPERATURE: -40°C TO +105°C
- 10. THIS PART NO. IS THE SAME STRUCTURE AS THE SERIES: 2834088
- 11. THE DATASHEET AND MORE DETAILS PLEASE FOLLOW THE SERIES: 2834088

④	③	②	①
WIRE PROTECTOR	CONTACT	COVER	HOUSING
31.38	8 POSN	2834088-7	
27.57	7 POSN	2834088-6	
23.76	6 POSN	2834088-5	
19.95	5 POSN	2834088-4	
16.14	4 POSN	2834088-3	
12.33	3 POSN	2834088-2	
8.52	2 POSN	2834088-1	
A	NO. OF POSITIONS	PART NO	

THIS DRAWING IS A CONTROLLED DOCUMENT.

DATE: 0228EC2015
 REV: 0228EC2015
 DESIGNED BY: XIA XIAO
 DRAWN BY: XIA XIAO
 CHECKED BY: XIA XIAO
 APPROVED BY: XIA XIAO

STE TE Connectivity
 381 Horizontal Entry Screwless Connector

SCALE: 1:1