



Chipsmall Limited consists of a professional team with an average of over 10 year of expertise in the distribution of electronic components. Based in Hongkong, we have already established firm and mutual-benefit business relationships with customers from,Europe,America and south Asia,supplying obsolete and hard-to-find components to meet their specific needs.

With the principle of “Quality Parts,Customers Priority,Honest Operation,and Considerate Service”,our business mainly focus on the distribution of electronic components. Line cards we deal with include Microchip,ALPS,ROHM,Xilinx,Pulse,ON,Everlight and Freescale. Main products comprise IC,Modules,Potentiometer,IC Socket,Relay,Connector.Our parts cover such applications as commercial,industrial, and automotives areas.

We are looking forward to setting up business relationship with you and hope to provide you with the best service and solution. Let us make a better world for our industry!



## Contact us

Tel: +86-755-8981 8866 Fax: +86-755-8427 6832

Email & Skype: info@chipsmall.com Web: www.chipsmall.com

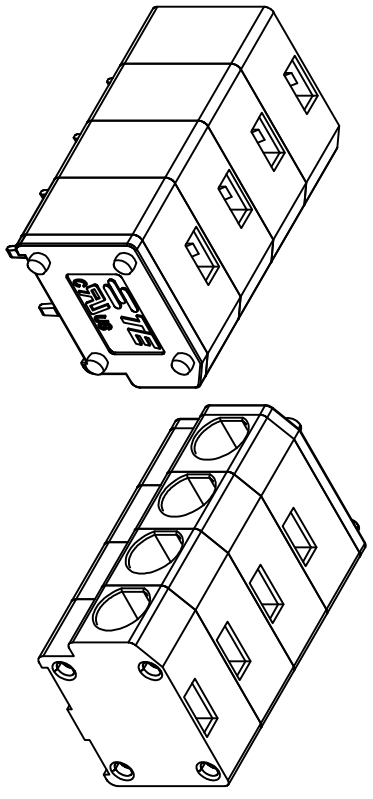
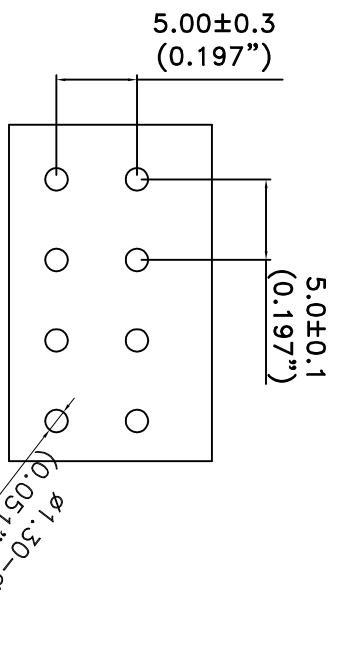
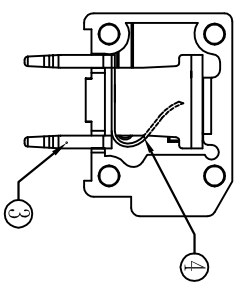
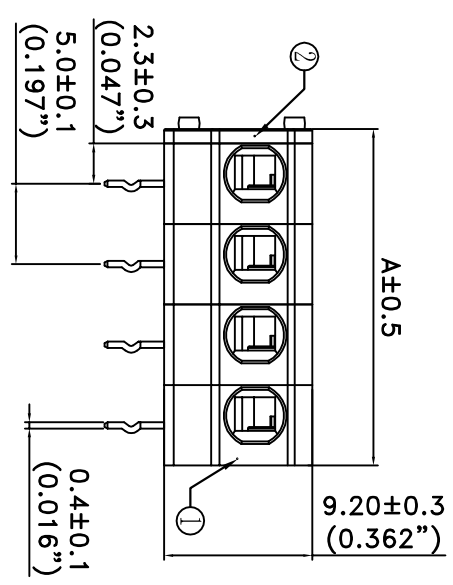
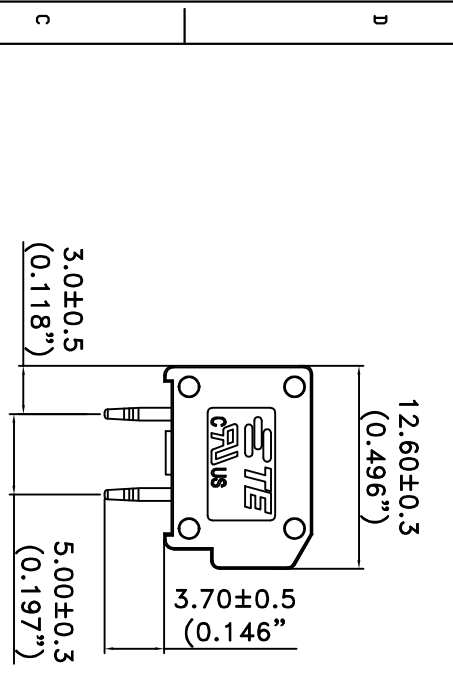
Address: A1208, Overseas Decoration Building, #122 Zhenhua RD., Futian, Shenzhen, China



REV. NO.	DATE	BY	APP'D
1			

REV. NO.	DESCRIPTION	DATE	BY	APP'D
1	1st VERSION			



**PCB Layout**

**NOTES :**

- 1. MATERIALS AND FINISH:
  - HOUSING: PA66
  - CONTACTS: COPPER, FINISH: TIN OVER COPPER UNDERPLATE
- 2. MUST COMPLY WITH DIRECTIVE 2002/95/EC (ROHS)
- 3. WIRE TYPES AND SIZES ACCEPTED
  - WIRE RANGE: 14AWG~20AWG.
  - STRIP LENGTH: 9.0mm~10.0mm
- 4. PACKAGED IN TRAY.
- 5. CURRENT RATING: 10Amp AC300V.
- 6. OPERATION TEMPERATURE: -40°C TO +105°C
- 7. THIS PART NO. IS THE SAME STRUCTURE AS THE SERIES: 2834089  
 THE DATASHEET AND MORE DETAILS PLEASE FOLLOW THE SERIES: 2834089

NO. OF POSN	TE CONNECTIVITY	PART NO
4	TE Connectivity	2834089-7
5	TE Connectivity	2834089-6
6	TE Connectivity	2834089-5
7	TE Connectivity	2834089-4
8	TE Connectivity	2834089-3
9	TE Connectivity	2834089-2
10	TE Connectivity	2834089-1

THIS DRAWING IS A CONTROLLED DOCUMENT

DESIGNER	CHKD	DATE	REV
REV	DATE	REV	DATE

50 Horizontal Entry Screwless Connector

ST. TE Connectivity

DATE: 02DEC2015

REV: 1

SCALE: 1:1