



Chipsmall Limited consists of a professional team with an average of over 10 year of expertise in the distribution of electronic components. Based in Hongkong, we have already established firm and mutual-benefit business relationships with customers from,Europe,America and south Asia,supplying obsolete and hard-to-find components to meet their specific needs.

With the principle of “Quality Parts,Customers Priority,Honest Operation,and Considerate Service”,our business mainly focus on the distribution of electronic components. Line cards we deal with include Microchip,ALPS,ROHM,Xilinx,Pulse,ON,Everlight and Freescale. Main products comprise IC,Modules,Potentiometer,IC Socket,Relay,Connector.Our parts cover such applications as commercial,industrial, and automotives areas.

We are looking forward to setting up business relationship with you and hope to provide you with the best service and solution. Let us make a better world for our industry!



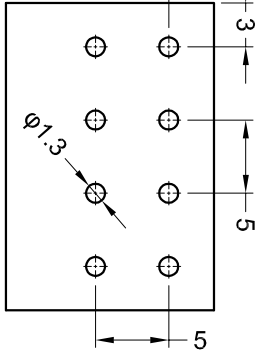
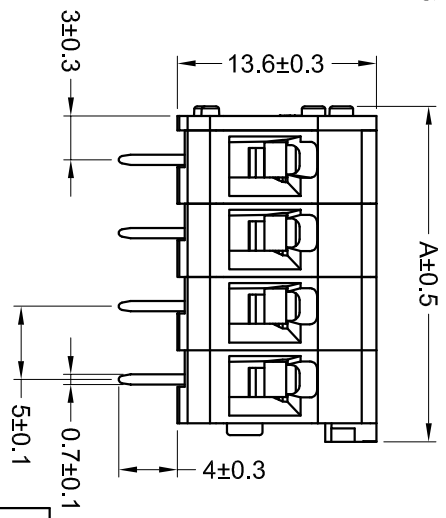
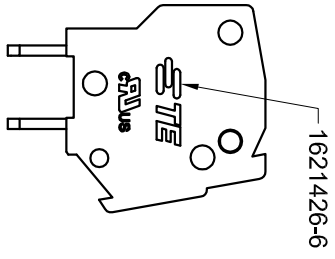
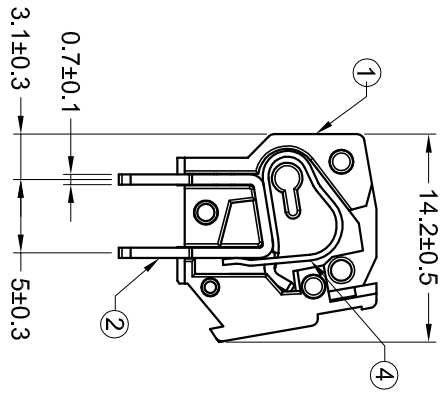
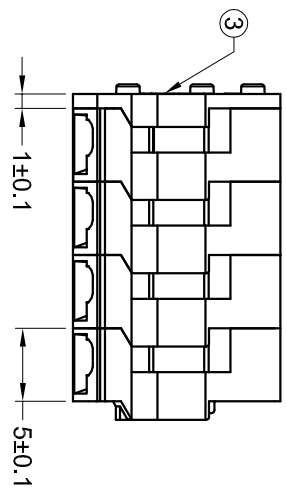
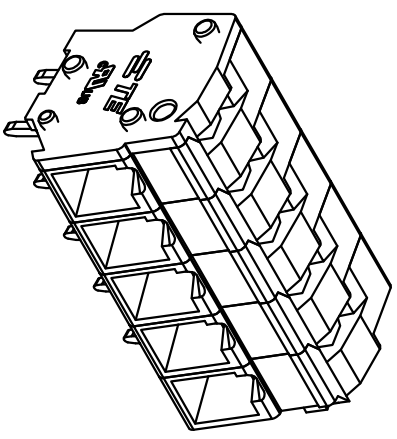
Contact us

Tel: +86-755-8981 8866 Fax: +86-755-8427 6832

Email & Skype: info@chipsmall.com Web: www.chipsmall.com

Address: A1208, Overseas Decoration Building, #122 Zhenhua RD., Futian, Shenzhen, China





PCB Layout

④ SPRING	③ COVER	② CONTACT	① HOUSING
8 POSN	7 POSN	6 POSN	5 POSN
2834098-7	2834098-6	2834098-5	2834098-4

GRAY	42.90	8 POSN	2834098-7
	37.90	7 POSN	2834098-6
	32.90	6 POSN	2834098-5
	27.90	5 POSN	2834098-4
	22.90	4 POSN	2834098-3
	17.90	3 POSN	2834098-2
	12.90	2 POSN	2834098-1
COLOR	DIM A	NO. OF POSITIONS	PART NO

- NOTES :
- △ MATERIALS AND FINISH:
 - HOUSING: PA66
 - CONTACTS: BRASS, FINISH: TIN OVER NICKEL UNDERPLATE
 - 2. MUST COMPLY WITH DIRECTIVE 2002/95/EC (RoHS)
 - 3. WIRE TYPES AND SIZES ACCEPTED
 - WIRE RANGE: 12AWG~28AWG.
 - STRIP LENGTH: 5~6mm
 - 4. PACKAGED IN TRAY.
 - 5. CURRENT RATING: 20Amp AC300V.
 - 6. OPERATION TEMPERATURE: -40°C TO +105°C
 - 7. THIS PART NO. IS THE SAME STRUCTURE AS THE SERIES: 2834098
 - THE DATASHEET AND MORE DETAILS PLEASE FOLLOW THE SERIES: 2834098

THIS DRAWING IS A CONTROLLED DOCUMENT.

REVISIONS	DATE	OWN	APP'D
	23NOV2015	C.T	S.M

LOC	POST	P	LTN	REV
		A	FIRST VERSION	

DATE: 11/4/14
 PRODUCT CODE: 108-137148
 APPROVED BY: 114-137148

5.00mm Horizontal Entry Screwless Connector

SIZE: 1
 DATE CODE (DRAWING NO): A200779
 C-2834098

SCALE: 1:1 SHEET 1 OF 1 REV A

TE Connectivity