



Chipsmall Limited consists of a professional team with an average of over 10 year of expertise in the distribution of electronic components. Based in Hongkong, we have already established firm and mutual-benefit business relationships with customers from,Europe,America and south Asia,supplying obsolete and hard-to-find components to meet their specific needs.

With the principle of “Quality Parts,Customers Priority,Honest Operation,and Considerate Service”,our business mainly focus on the distribution of electronic components. Line cards we deal with include Microchip,ALPS,ROHM,Xilinx,Pulse,ON,Everlight and Freescale. Main products comprise IC,Modules,Potentiometer,IC Socket,Relay,Connector.Our parts cover such applications as commercial,industrial, and automotives areas.

We are looking forward to setting up business relationship with you and hope to provide you with the best service and solution. Let us make a better world for our industry!



Contact us

Tel: +86-755-8981 8866 Fax: +86-755-8427 6832

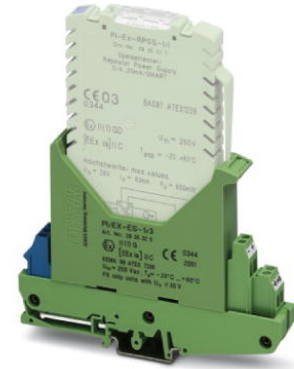
Email & Skype: info@chipsmall.com Web: www.chipsmall.com

Address: A1208, Overseas Decoration Building, #122 Zhenhua RD., Futian, Shenzhen, China



PI-EX-ES-1/3

Order No.: 2835325



<http://eshop.phoenixcontact.de/phoenix/treeViewClick.do?UID=2835325>

Ex basic terminal block, with three terminal points to the field level (Ex area)



| Commercial data | |
|--------------------------|--------------------|
| EAN | 4017918164218 |
| Pack | 6 pcs. |
| Customs tariff | 85369010 |
| Weight/Piece | 0.0894 KG |
| Catalog page information | Page 469 (IF-2009) |

Product notes

WEEE/RoHS-compliant since:
04/23/2007



<http://www.download.phoenixcontact.com>
Please note that the data given here has been taken from the online catalog. For comprehensive information and data, please refer to the user documentation. The General Terms and Conditions of Use apply to Internet downloads.

| Technical data | |
|-----------------------|---|
| General data | |
| Nominal voltage U_N | 250 V |
| Nom. voltage | 20 V DC ... 35 V DC (See nominal voltage, PI modules) |
| Width | 17.5 mm |

| | |
|---|--|
| Height | 92 mm |
| Depth | 127.5 mm |
| Height with coupling plug NS 32 | 147.5 mm |
| Height with coupling plug NS 35/7,5 | 142.5 mm |
| Height with coupling plug NS 35/15 | 150 mm |
| Housing insulation material | Polyamide PA non-reinforced, polycarbonate PC, PVC |
| Inflammability class acc. to UL 94 | V0 / V2 |
| Color | green |
| Conformity | CE compliant |
| ATEX | Ex II (1) GD [EEx ia] IIC Ex II 3 G Ex nA II T4 X |
| Ambient temperature (operation) | -20 °C ... 60 °C |
| Ambient temperature (storage/transport) | -40 °C ... 85 °C |

Connection data

| | |
|--|-------------------------------------|
| Connection 1 | To the control system level |
| Type of connection | PCB / screw terminal block (4-pos.) |
| Conductor cross section stranded min. | 0.2 mm ² |
| Conductor cross section stranded max. | 2.5 mm ² |
| Conductor cross section solid min. | 0.2 mm ² |
| Conductor cross section solid max. | 4 mm ² |
| Conductor cross section AWG/kcmil min. | 24 |
| Conductor cross section AWG/kcmil max | 12 |
| Screw thread | M3 |
| Connection 2 | To the field level |
| Type of connection | Screw connection |
| Conductor cross section stranded min. | 0.2 mm ² |
| Conductor cross section stranded max. | 2.5 mm ² |
| Conductor cross section solid min. | 0.2 mm ² |
| Conductor cross section solid max. | 2.5 mm ² |
| Conductor cross section AWG/kcmil min. | 24 |
| Conductor cross section AWG/kcmil max | 14 |
| Screw thread | M3 |
| Stripping length | 8 mm |
| Tightening torque, min | 0.5 Nm |
| Tightening torque max | 0.6 Nm |

Certificates / Approvals



| | |
|-------------------|-----------------|
| Certification | GOST |
| Certification Ex: | KEMA-EX, PxC-EX |

Accessories

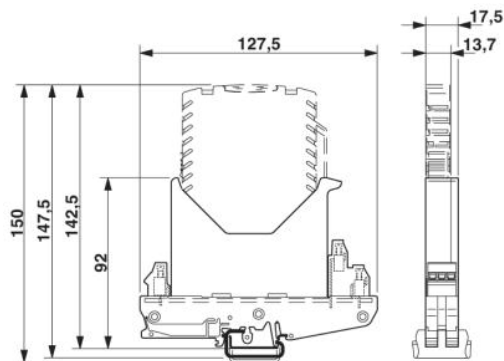
| Item | Designation | Description |
|------|-------------|-------------|
|------|-------------|-------------|

Bridges

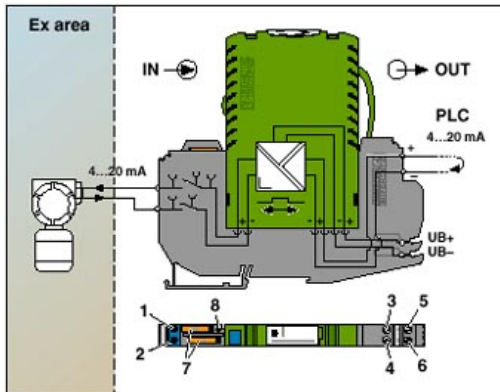
| | | |
|---------|--------------|---------------------------|
| 2820916 | DB 50- 90 BK | Wire bridge, Color: black |
| 2821180 | DB 50- 90 BU | Wire bridge, Color: blue |
| 2820929 | DB 50- 90 GY | Wire bridge, Color: gray |

Diagrams/Drawings

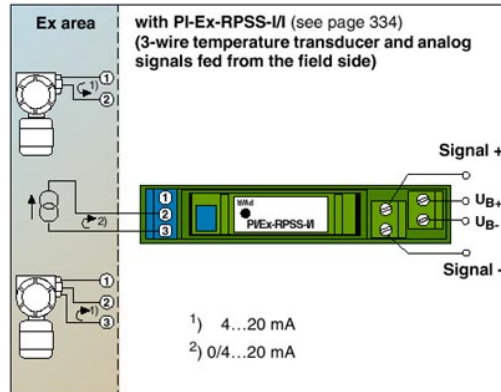
Dimensioned drawing



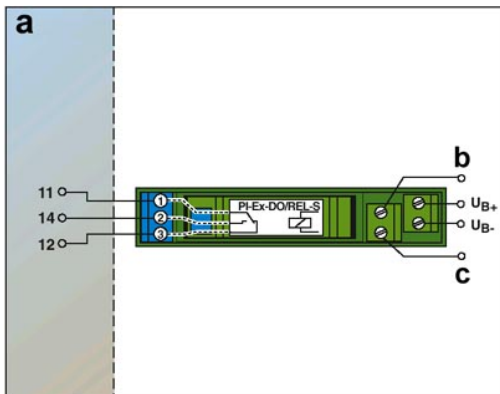
Circuit diagram



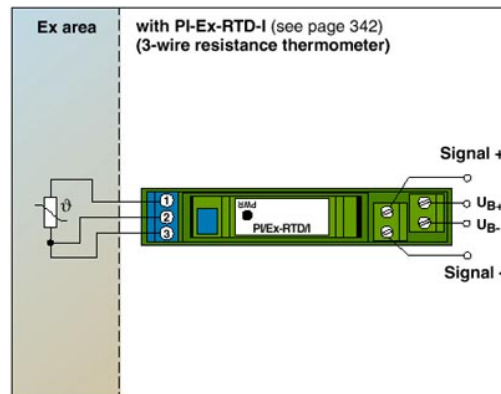
- 1 ≙ Measurement transducer supply "+"
- (Clamping screw with integrated female test connector)
- 2 ≙ Current input
- (Clamping screw with integrated female test connector)
- 3 ≙ Output signal "+"
- 4 ≙ Output signal "-"
- 5 ≙ U_{B+} / supply "+" 20...35 V DC
- 6 ≙ U_{B-} / supply "-"
- 7 ≙ Disconnect knife with integrated female test connector
- 8 ≙ Female test connector



- 1) 4...20 mA
- 2) 0/4...20 mA



- a = Ex area
- b = Control signal +
- c = Control signal -



Approbationslogos (EX-Bereich)



Address

PHOENIX CONTACT Inc., USA
586 Fulling Mill Road
Middletown, PA 17057, USA
Phone (800) 888-7388
Fax (717) 944-1625
<http://www.phoenixcon.com>



© 2010 Phoenix Contact
Technical modifications reserved;