



Chipsmall Limited consists of a professional team with an average of over 10 year of expertise in the distribution of electronic components. Based in Hongkong, we have already established firm and mutual-benefit business relationships with customers from,Europe,America and south Asia,supplying obsolete and hard-to-find components to meet their specific needs.

With the principle of “Quality Parts,Customers Priority,Honest Operation,and Considerate Service”,our business mainly focus on the distribution of electronic components. Line cards we deal with include Microchip,ALPS,ROHM,Xilinx,Pulse,ON,Everlight and Freescale. Main products comprise IC,Modules,Potentiometer,IC Socket,Relay,Connector.Our parts cover such applications as commercial,industrial, and automotives areas.

We are looking forward to setting up business relationship with you and hope to provide you with the best service and solution. Let us make a better world for our industry!



Contact us

Tel: +86-755-8981 8866 Fax: +86-755-8427 6832

Email & Skype: info@chipsmall.com Web: www.chipsmall.com

Address: A1208, Overseas Decoration Building, #122 Zhenhua RD., Futian, Shenzhen, China



Basic terminal block - UM122-2FLK14/PI-ES/4/OUT/S7 - 2835642

Please be informed that the data shown in this PDF Document is generated from our Online Catalog. Please find the complete data in the user's documentation. Our General Terms of Use for Downloads are valid (<http://phoenixcontact.com/download>)



Analog out motherboard for S7-300, to hold PI-C-UI-UI-AO, mounting on NS 32, or NS 35/7.5.



Key commercial data

Packing unit	1 pc
Weight per Piece (excluding packing)	240.3 GRM
Custom tariff number	85389091
Country of origin	Germany

Technical data

Dimensions

Width	58.6 mm
Height	127.5 mm
Depth	82.6 mm

Ambient conditions

Ambient temperature (operation)	-20 °C ... 60 °C
Ambient temperature (storage/transport)	-40 °C ... 75 °C

General

Nom. voltage	20 V DC ... 35 V DC
Nominal current I_N	60 mA (max. current consumption)
Housing insulation material	Polyamide PA non-reinforced, polycarbonate PC
Inflammability class according to UL 94	V0
Color	green
Conformance	CE-compliant

Basic terminal block - UM122-2FLK14/PI-ES/4/OUT/S7 - 2835642

Technical data

Connection data

Connection 1	To the control system level
Connection method	Flat-ribbon cable connectors, FLK16 pin strip
Conductor cross section stranded min.	0.2 mm ²
Conductor cross section stranded max.	2.5 mm ²
Conductor cross section solid min.	0.2 mm ²
Conductor cross section solid max.	4 mm ²
Conductor cross section AWG/kcmil min.	24
Conductor cross section AWG/kcmil max	12
Connection 2	To the field level
Connection method	Screw connection
Conductor cross section stranded min.	0.2 m ²
Conductor cross section stranded max.	2.5 mm ²
Conductor cross section solid min.	0.2 m ²
Conductor cross section solid max.	4 mm ²
Conductor cross section AWG/kcmil min.	24
Conductor cross section AWG/kcmil max	12
Screw thread	M3
Stripping length	8 mm
Tightening torque, min	0.5 Nm
Tightening torque max	0.6 Nm

Classifications

eCl@ss

eCl@ss 4.0	27141127
eCl@ss 4.1	27141127
eCl@ss 5.0	27371603
eCl@ss 5.1	27371603
eCl@ss 6.0	27371603
eCl@ss 7.0	27371603
eCl@ss 8.0	27371603

ETIM

ETIM 2.0	EC000764
ETIM 3.0	EC001456
ETIM 4.0	EC001456
ETIM 5.0	EC001456

Basic terminal block - UM122-2FLK14/PI-ES/4/OUT/S7 - 2835642

Classifications

UNSPSC

UNSPSC 6.01	30211811
UNSPSC 7.0901	39121410
UNSPSC 11	39121410
UNSPSC 12.01	39121410
UNSPSC 13.2	39121410

Approvals

Approvals

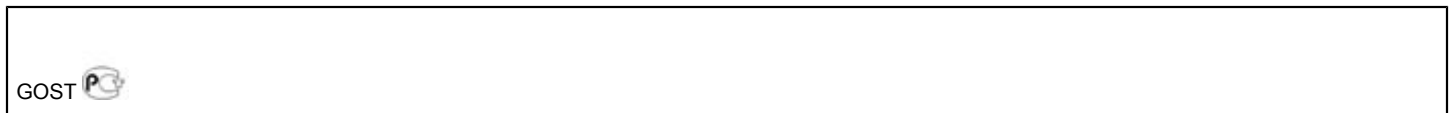
Approvals

GOST

Ex Approvals

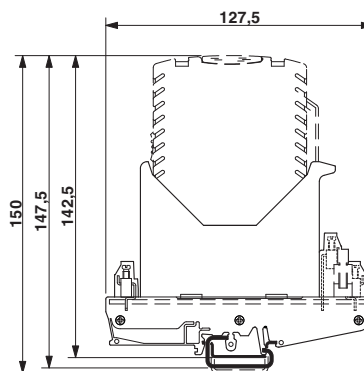
Approvals submitted

Approval details



Drawings

Dimensioned drawing



Basic terminal block - UM122-2FLK14/PI-ES/4/OUT/S7 - 2835642

Dimensioned drawing

