



Chipsmall Limited consists of a professional team with an average of over 10 year of expertise in the distribution of electronic components. Based in Hongkong, we have already established firm and mutual-benefit business relationships with customers from,Europe,America and south Asia,supplying obsolete and hard-to-find components to meet their specific needs.

With the principle of “Quality Parts,Customers Priority,Honest Operation,and Considerate Service”,our business mainly focus on the distribution of electronic components. Line cards we deal with include Microchip,ALPS,ROHM,Xilinx,Pulse,ON,Everlight and Freescale. Main products comprise IC,Modules,Potentiometer,IC Socket,Relay,Connector.Our parts cover such applications as commercial,industrial, and automotives areas.

We are looking forward to setting up business relationship with you and hope to provide you with the best service and solution. Let us make a better world for our industry!



## Contact us

Tel: +86-755-8981 8866 Fax: +86-755-8427 6832

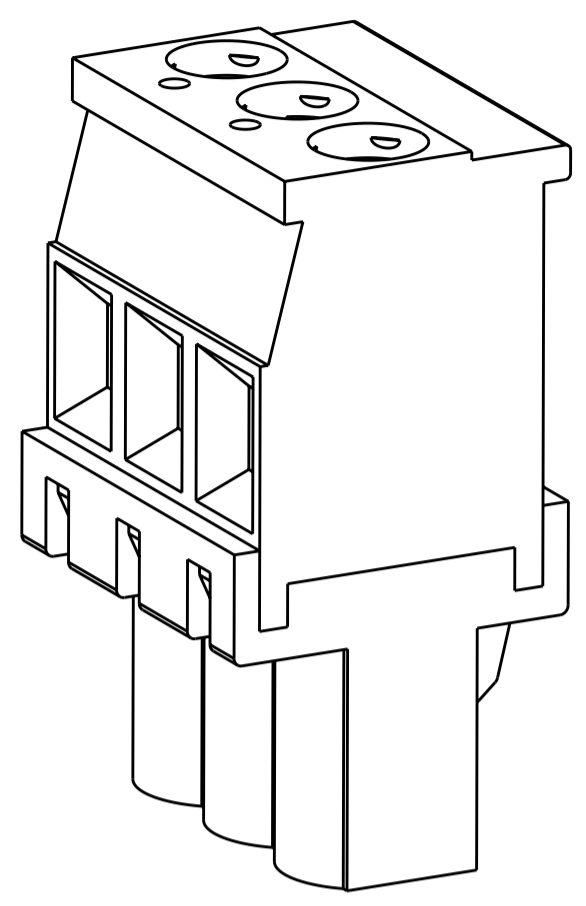
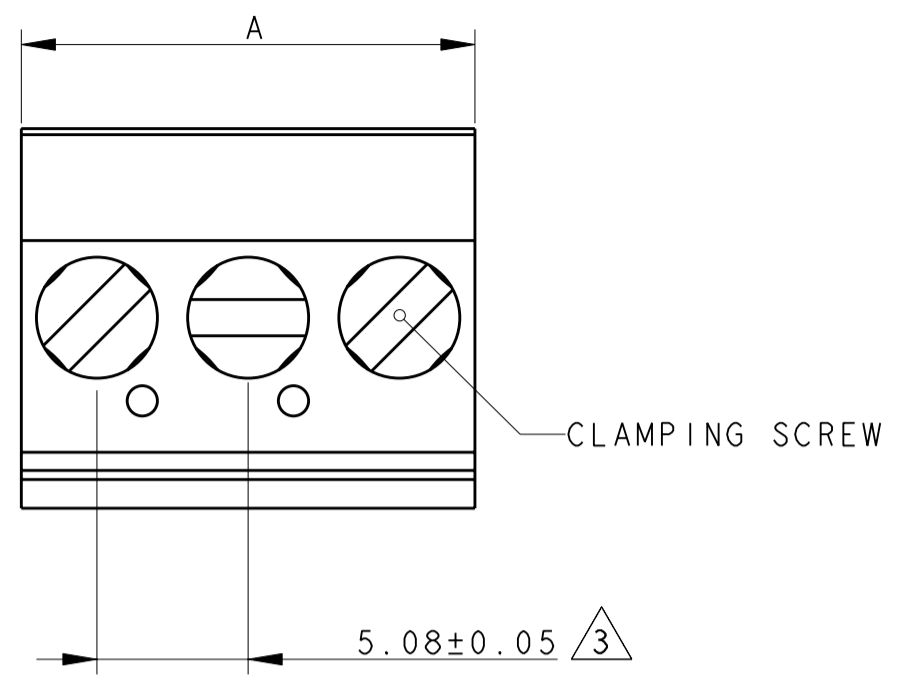
Email & Skype: info@chipsmall.com Web: www.chipsmall.com

Address: A1208, Overseas Decoration Building, #122 Zhenhua RD., Futian, Shenzhen, China



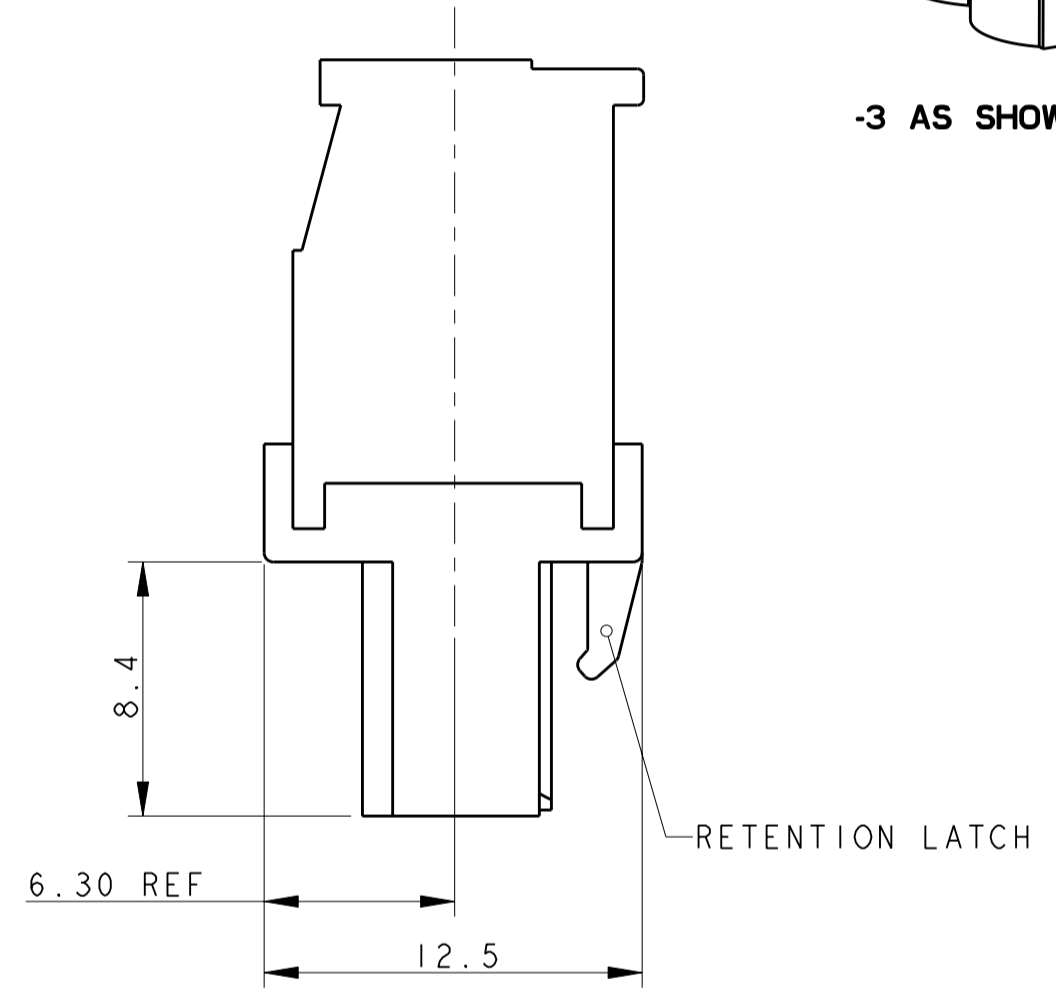
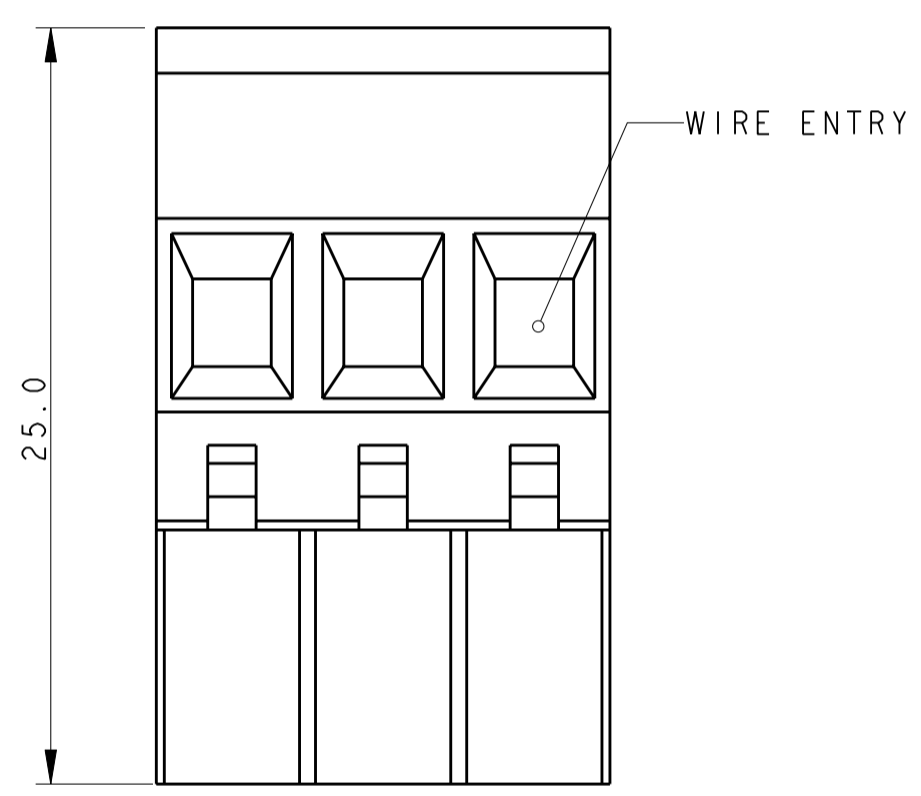
THIS DRAWING IS UNPUBLISHED. RELEASED FOR PUBLICATION 20  
 © COPYRIGHT 20 BY ALL RIGHTS RESERVED.

LOC		DIST		REVISIONS			
P	LTR	DESCRIPTION	DATE	DWN	APVD		
FT	0						
	C3	REVISED PER ECO-11-004820	11MAR2011	RK	HMR		



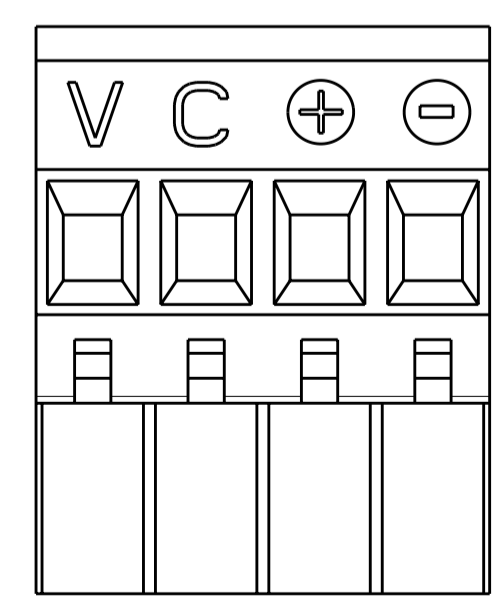
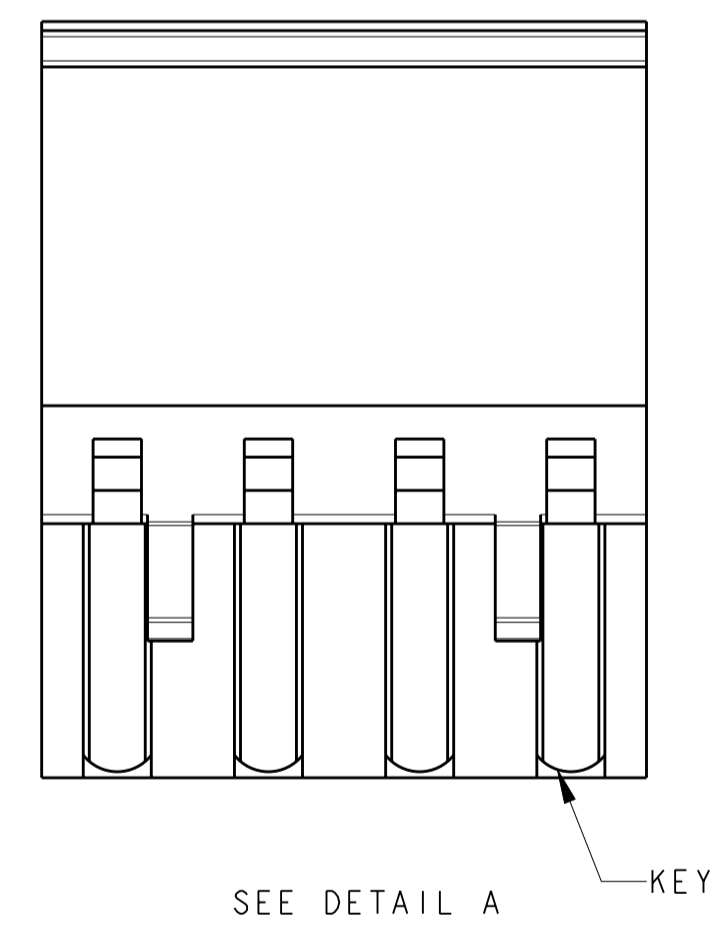
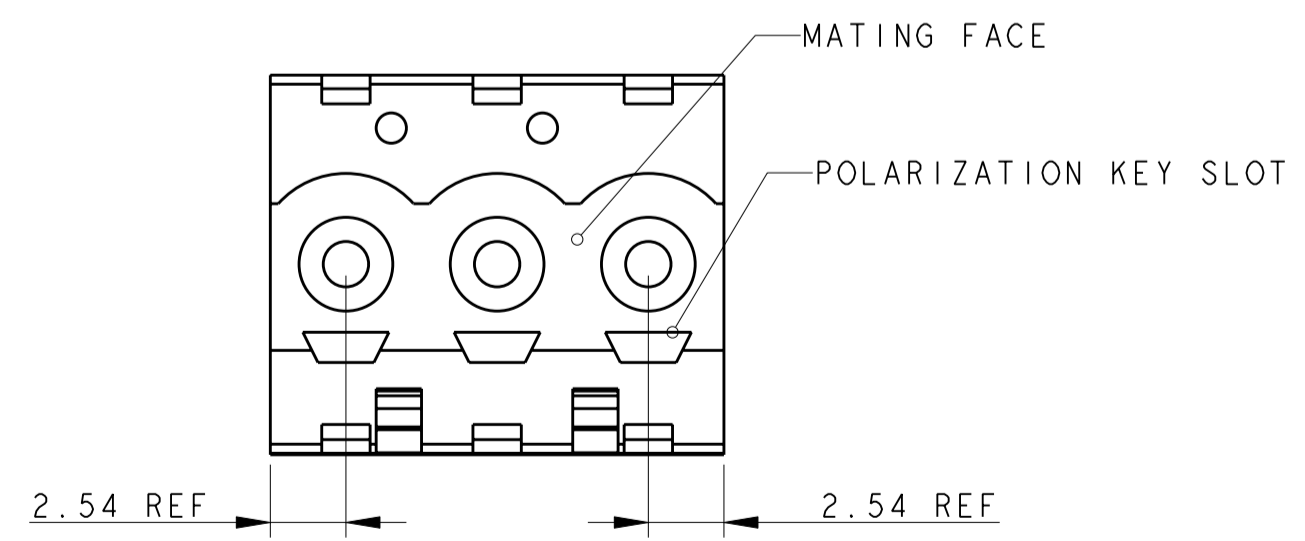
-3 AS SHOWN

- 1 MATERIALS AND FINISH  
 HOUSING: PA 6-6, UL 94-V0, COLOR GREEN.  
 CLAMP: BRASS, NICKEL PLATED.  
 DOUBLE SIDE CONTACT SPRING: PHOSPHOR BRONZE, TIN PLATED.  
 CLAMPING SCREW: M3, BRASS, NICKEL PLATED.
- 2 WIRE SIZE RANGE:  
 12 - 30 AWG
- 3 NOT CUMULATIVE TOLERANCE.
- 4 PRELIMINARY
- 5 SPECIAL MARKING TO BE PERMANENT BLACK LETTERING



5 4  
4 4

DIM. A	NO OF POS.	PART NUMBER
20.32	4	2-284041-7
20.32	4	2-284041-6
127.00	25	2-284041-5
121.92	24	2-284041-4
116.84	23	2-284041-3
111.76	22	2-284041-2
106.68	21	2-284041-1
101.60	20	2-284041-0
96.52	19	1-284041-9
91.44	18	1-284041-8
86.36	17	1-284041-7
81.28	16	1-284041-6
76.20	15	1-284041-5
71.12	14	1-284041-4
66.04	13	1-284041-3
60.96	12	1-284041-2
55.88	11	1-284041-1
50.80	10	1-284041-0
45.72	9	284041-9
40.64	8	284041-8
35.56	7	284041-7
30.48	6	284041-6
25.40	5	284041-5
20.32	4	284041-4
15.24	3	284041-3
10.16	2	284041-2



DETAIL B

THIS DRAWING IS A CONTROLLED DOCUMENT.

DIMENSIONS:	TOLERANCES UNLESS OTHERWISE SPECIFIED:	DWN	27MAR2001
mm	0 PLC ±-	CHK	27MAR2001
	1 PLC ±0.3	APVD	27MAR2001
	2 PLC ±0.25	PRODUCT SPEC	
	3 PLC ±-	APPLICATION SPEC	
	4 PLC ±-	WEIGHT	
	ANGLES ±2	SCALE	4:1
	FINISH	SHEET	1 OF 1

MATERIAL: 1 - 1

NAME: **STE** TE Connectivity  
 TERMINAL BLOCK, VERTICAL PLUG STACKING, LEFT HAND  
 5.08mm PITCH

SIZE: A200779  
 CAGE CODE: C-284041  
 DRAWING NO: 284041  
 RESTRICTED TO: -

CUSTOMER DRAWING