



Chipsmall Limited consists of a professional team with an average of over 10 year of expertise in the distribution of electronic components. Based in Hongkong, we have already established firm and mutual-benefit business relationships with customers from,Europe,America and south Asia,supplying obsolete and hard-to-find components to meet their specific needs.

With the principle of “Quality Parts,Customers Priority,Honest Operation,and Considerate Service”,our business mainly focus on the distribution of electronic components. Line cards we deal with include Microchip,ALPS,ROHM,Xilinx,Pulse,ON,Everlight and Freescale. Main products comprise IC,Modules,Potentiometer,IC Socket,Relay,Connector.Our parts cover such applications as commercial,industrial, and automotives areas.

We are looking forward to setting up business relationship with you and hope to provide you with the best service and solution. Let us make a better world for our industry!



Contact us

Tel: +86-755-8981 8866 Fax: +86-755-8427 6832

Email & Skype: info@chipsmall.com Web: www.chipsmall.com

Address: A1208, Overseas Decoration Building, #122 Zhenhua RD., Futian, Shenzhen, China



4

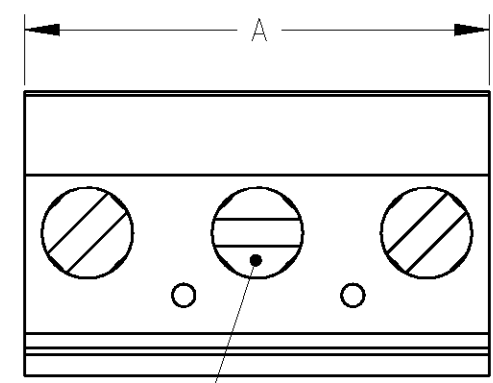
3

2

1

THIS DRAWING IS UNPUBLISHED. RELEASED FOR PUBLICATION 20
 © COPYRIGHT 20 BY TYCO ELECTRONICS CORPORATION. ALL RIGHTS RESERVED.

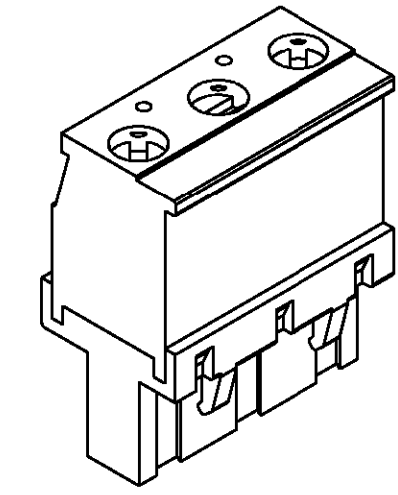
LOC	DIST	REVISIONS			
P	LTR	DESCRIPTION	DATE	DWN	APVD
	B	REVISED PER 0G3B-0119-01	03JAN2002	EZ	DB
	C	REVISED EC 0G3B-0199-02	04JUN2003	SW	CR



1 MATERIALS AND FINISH
 HOUSING: PA 6-6, UL 94-V0, COLOR: SEE TABLE.
 CLAMP: BRASS, NICKEL PLATED.
 DOUBLE SIDE CONTACT SPRING : PHOSPHOR BRONZE, TIN PLATED.
 CLAMPING SCREW: M3, BRASS, NICKEL PLATED.

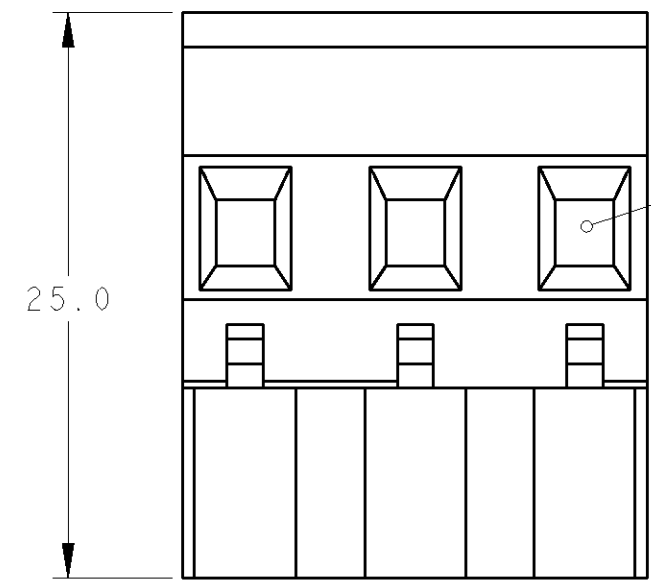
2 WIRE SIZE RANGE:
 12 - 30 AWG

3 NOT CUMULATIVE TOLERANCE.

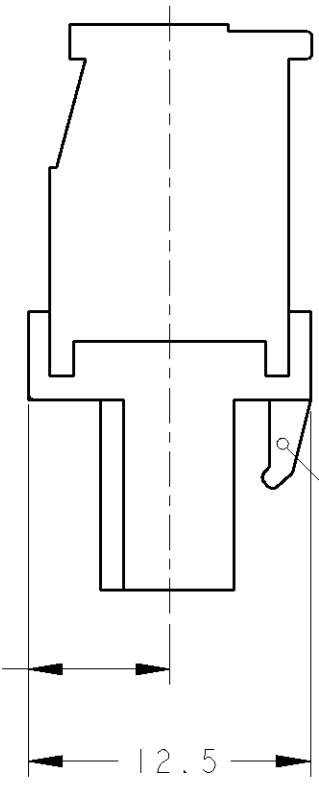


284043-3 AS SHOWN
 SCALE 2:1

CLAMPING SCREW



WIRE ENTRY

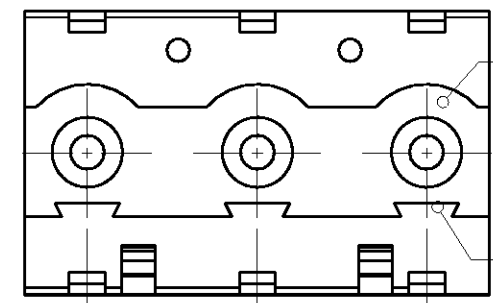


RETENTION LATCH

6.25 REF

12.5

GRAY	13.24	2	2-284043-2
GREEN	89.44	12	1-284043-2
GREEN	81.82	11	1-284043-1
GREEN	74.20	10	1-284043-0
GREEN	66.58	9	284043-9
GREEN	58.96	8	284043-8
GREEN	51.34	7	284043-7
GREEN	43.72	6	284043-6
GREEN	36.10	5	284043-5
GREEN	28.48	4	284043-4
GREEN	20.86	3	284043-3
GREEN	13.24	2	284043-2
MATERIAL COLOR	A	NO OF POSN	PART NUMBER



MATING FACE

POLARIZATION KEY SLOT

2.81 REF

2.81 REF

7.62±0.08 3

THIS DRAWING IS A CONTROLLED DOCUMENT FOR TYCO ELECTRONICS CORPORATION. IT IS SUBJECT TO CHANGE AND THE CONTROLLING ENGINEERING ORGANIZATION SHOULD BE CONTACTED FOR THE LATEST REVISION.

DIMENSIONS: mm	TOLERANCES UNLESS OTHERWISE SPECIFIED: 0 PLC ±- 1 PLC ±.3 2 PLC ±.25 3 PLC ±- 4 PLC ±- ANGLES ±2	DWN 03JAN2002 E. ZANOLINI CHK 03JAN2002 E. ZANOLINI APVD 03JAN2002 D. BIEVENOUR	BUCHANAN Tyco Electronics Harrisburg, PA 17105-3608
MATERIAL 1	FINISH 1	PRODUCT SPEC - APPLICATION SPEC - WEIGHT -	NAME TERMINAL BLOCK VERTICAL PLUG STACKING, LEFT HAND 7.62mm PITCH
CUSTOMER DRAWING		SIZE A3 CAGE CODE 00779 DRAWING NO C-284043	RESTRICTED TO -
		SCALE 3:1	SHEET 1 OF 1 REV C