



Chipsmall Limited consists of a professional team with an average of over 10 year of expertise in the distribution of electronic components. Based in Hongkong, we have already established firm and mutual-benefit business relationships with customers from,Europe,America and south Asia,supplying obsolete and hard-to-find components to meet their specific needs.

With the principle of “Quality Parts,Customers Priority,Honest Operation,and Considerate Service”,our business mainly focus on the distribution of electronic components. Line cards we deal with include Microchip,ALPS,ROHM,Xilinx,Pulse,ON,Everlight and Freescale. Main products comprise IC,Modules,Potentiometer,IC Socket,Relay,Connector.Our parts cover such applications as commercial,industrial, and automotives areas.

We are looking forward to setting up business relationship with you and hope to provide you with the best service and solution. Let us make a better world for our industry!



## Contact us

Tel: +86-755-8981 8866 Fax: +86-755-8427 6832

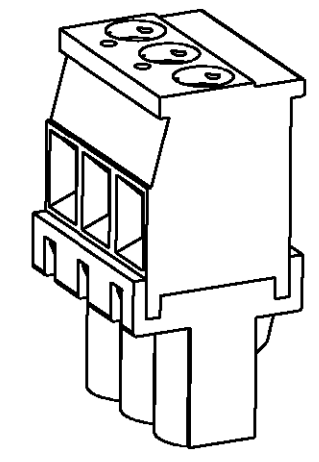
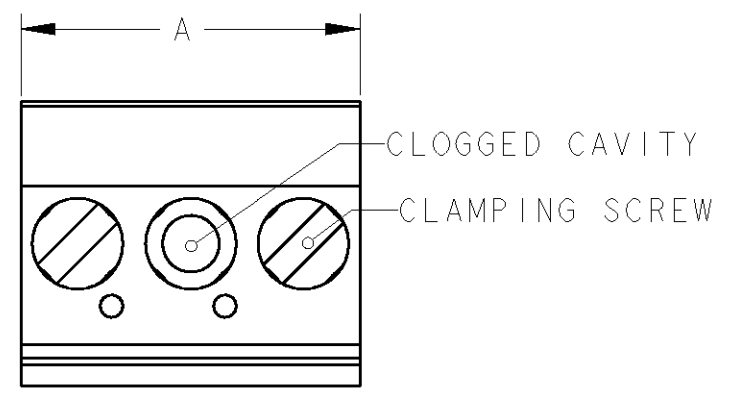
Email & Skype: info@chipsmall.com Web: www.chipsmall.com

Address: A1208, Overseas Decoration Building, #122 Zhenhua RD., Futian, Shenzhen, China



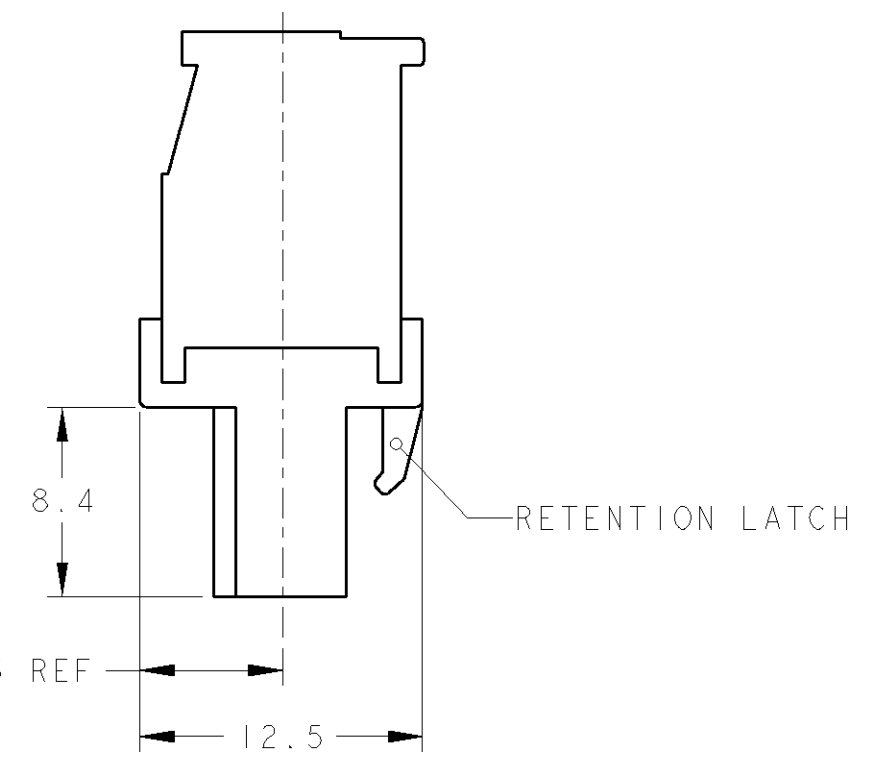
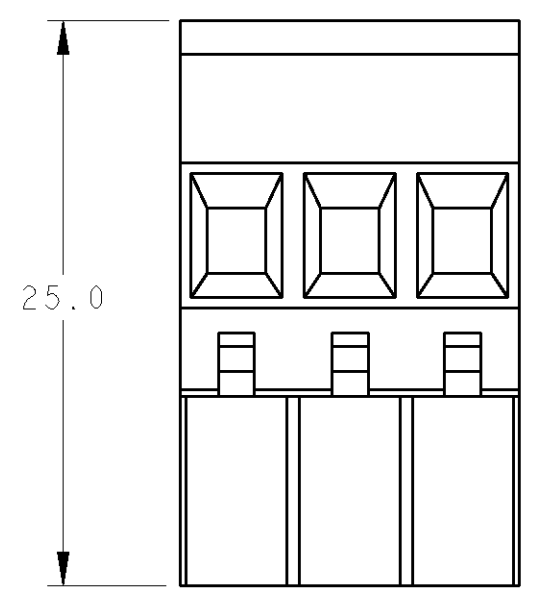
THIS DRAWING IS UNPUBLISHED. RELEASED FOR PUBLICATION 20  
 © COPYRIGHT 20 BY TYCO ELECTRONICS CORPORATION. ALL RIGHTS RESERVED.

LOC	DIST	REVISIONS			
P	LTR	DESCRIPTION	DATE	DWN	APVD
FT	0	B	REVISED PER 0G3B-0119-01	03JAN2002	EZ DB

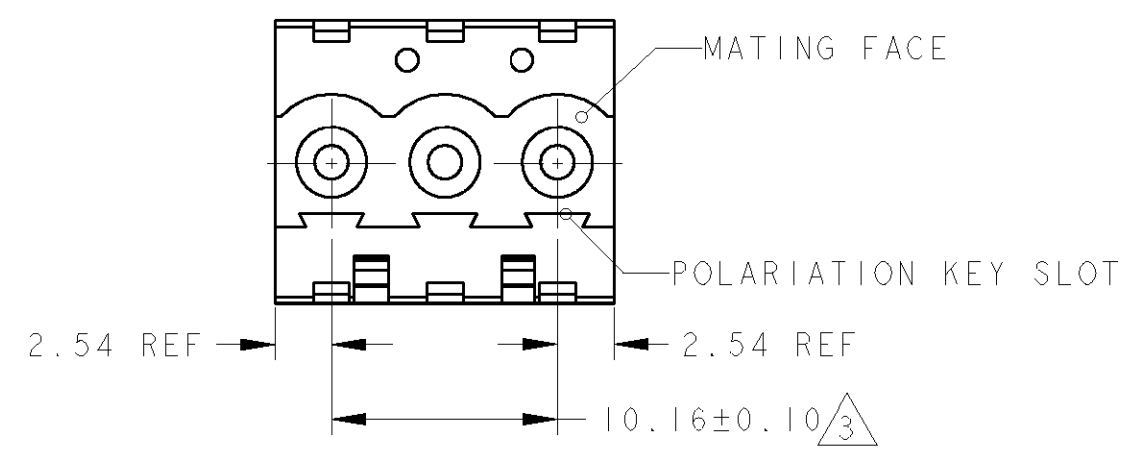


284045-2 AS SHOWN

- 1 MATERIALS AND FINISH  
 HOUSING: PA 6-6, UL 94-V0, COLOR GREEN.  
 CLAMP: BRASS, NICKEL PLATED.  
 DOUBLE SIDE CONTACT SPRING : PHOSPHOR BRONZE, TIN PLATED.  
 CLAMPING SCREW: M3, BRASS, NICKEL PLATED.
- 2 WIRE SIZE RANGE:  
 12 - 30 AWG.
- 3 NOT CUMULATIVE TOLERANCE.
- 4 SELECTIVE GOLD PLATING, 0.00076 [0.00030]



CONTACT FINISH	DIM.A	N° POS.	PART NUMBER
GOLD PLATED 4	15.24	2	1-284045-4
	127.00	13	1-284045-3
	116.84	12	1-284045-2
	106.68	11	1-284045-1
	96.52	10	1-284045-0
	86.36	9	284045-9
	76.20	8	284045-8
	66.04	7	284045-7
	55.88	6	284045-6
	45.72	5	284045-5
TIN PLATED	35.56	4	284045-4
	25.40	3	284045-3
	15.24	2	284045-2



THIS DRAWING IS A CONTROLLED DOCUMENT FOR TYCO ELECTRONICS CORPORATION IT IS SUBJECT TO CHANGE AND THE CONTROLLING ENGINEERING ORGANIZATION SHOULD BE CONTACTED FOR THE LATEST REVISION.

DIMENSIONS: mm	TOLERANCES UNLESS OTHERWISE SPECIFIED: 0 PLC ±- 1 PLC ±.3 2 PLC ±.25 3 PLC ±- 4 PLC ±- ANGLES ±2	DWN 03JAN2002 E. ZANOLINI CHK 03JAN2002 E. ZANOLINI APVD 03JAN2002 D. BIEVENOUR	<b>BUCHANAN</b> Tyco Electronics Harrisburg, PA 17105-3608
MATERIAL	FINISH	PRODUCT SPEC - APPLICATION SPEC - WEIGHT -	NAME TERMINAL BLOCK VERTICAL PLUG STACKING LEFT HAND 10.16mm PITCH
		CUSTOMER DRAWING	SIZE A3 CAGE CODE 00779 DRAWING NO C=284045 RESTRICTED TO -
		SCALE 3:1	SHEET 1 OF 1 REV B