



Chipsmall Limited consists of a professional team with an average of over 10 year of expertise in the distribution of electronic components. Based in Hongkong, we have already established firm and mutual-benefit business relationships with customers from,Europe,America and south Asia,supplying obsolete and hard-to-find components to meet their specific needs.

With the principle of “Quality Parts,Customers Priority,Honest Operation,and Considerate Service”,our business mainly focus on the distribution of electronic components. Line cards we deal with include Microchip,ALPS,ROHM,Xilinx,Pulse,ON,Everlight and Freescale. Main products comprise IC,Modules,Potentiometer,IC Socket,Relay,Connector.Our parts cover such applications as commercial,industrial, and automotives areas.

We are looking forward to setting up business relationship with you and hope to provide you with the best service and solution. Let us make a better world for our industry!



Contact us

Tel: +86-755-8981 8866 Fax: +86-755-8427 6832

Email & Skype: info@chipsmall.com Web: www.chipsmall.com

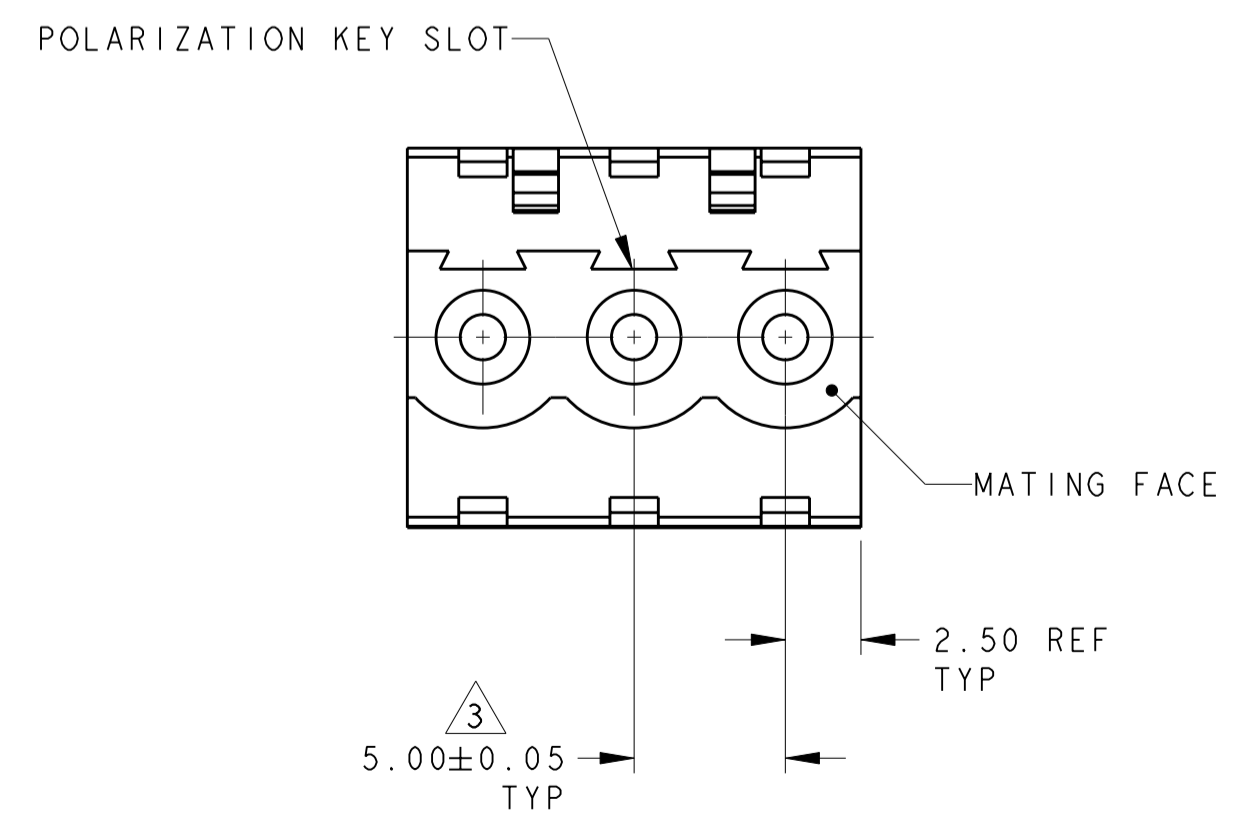
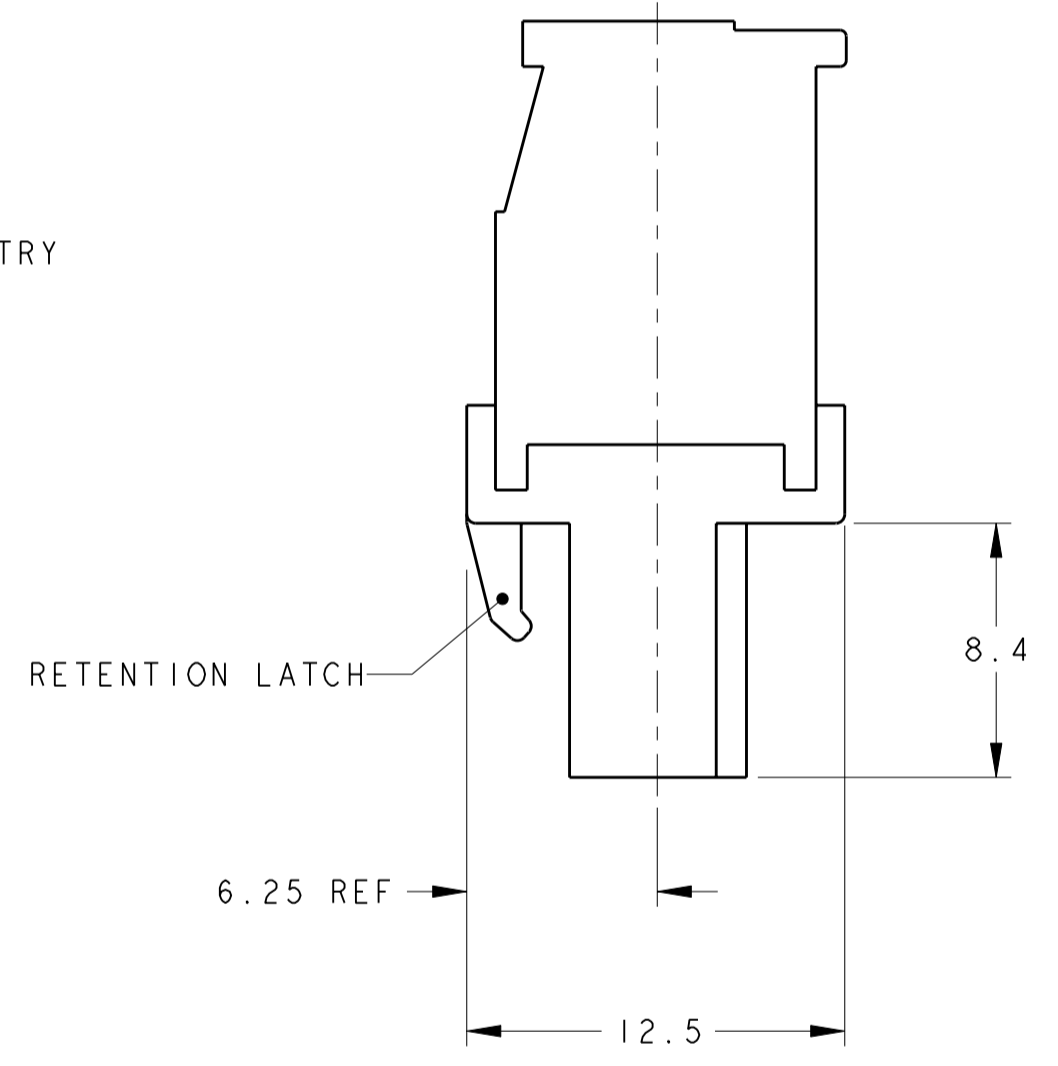
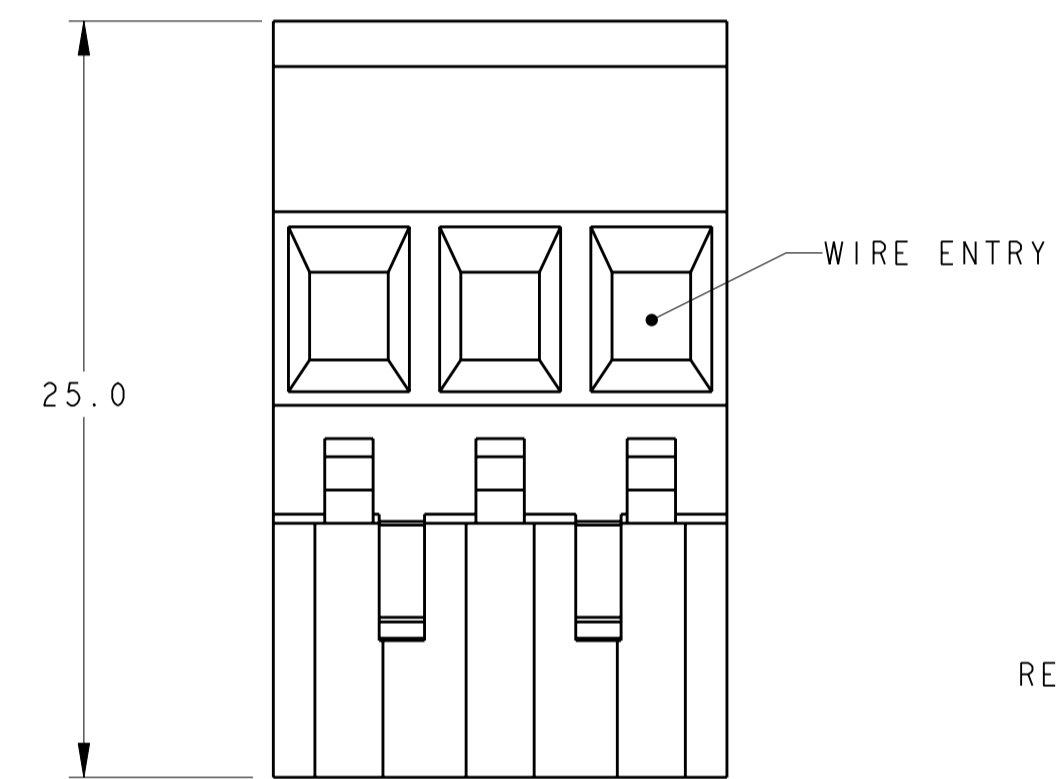
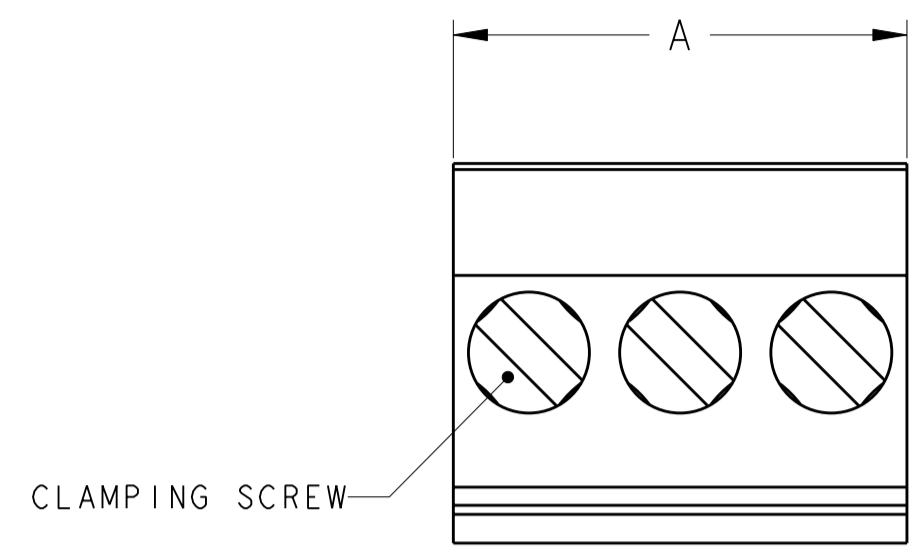
Address: A1208, Overseas Decoration Building, #122 Zhenhua RD., Futian, Shenzhen, China



THIS DRAWING IS UNPUBLISHED. RELEASED FOR PUBLICATION 20
 © COPYRIGHT 20 BY ALL RIGHTS RESERVED.

REVISIONS					
P	LTR	DESCRIPTION	DATE	DWN	APVD
E2		REVISED PER ECO-11-004917	12MAR2011	RK	HMR

- 1 MATERIALS AND FINISH
 HOUSING: PA 6-6, UL 94-V0, COLOR: GREEN.
 CLAMP: BRASS, NICKEL PLATED.
 CONTACT SPRING : PHOSPHOR BRONZE, TIN PLATED.
 CLAMPING SCREW: M3, BRASS, NICKEL PLATED.
- 2. WIRE SIZE RANGE: 12 - 30 AWG
- 3 NOT CUMULATIVE TOLERANCE.
- 4. INK MARKING, COLOR: BLACK.
- 5 WIRE ENTRY CLOSED
- 6 PRELIMINARY



6	TIN PLATED	SEE SHEET 3	70.0	14	3-284046-5
6	TIN PLATED	SEE SHEET 3	50.0	10	3-284046-4
6	TIN PLATED	SEE SHEET 3	90.0	18	3-284046-3
6	TIN PLATED	SEE SHEET 3	80.0	16	3-284046-2
	TIN PLATED	SEE SHEET 2	15.0	3	3-284046-1
		SEE SHEET 2	10.0	2	3-284046-0
	0.00076[.000030]	SEE SHEET 2	25.0	5	2-284046-9
	SELECT GOLD	-	25.0	5	2-284046-8
		SEE SHEET 2	65.0	13	2-284046-7
		SEE SHEET 2	40.0	8	2-284046-6
		-	125.0	25	2-284046-5
		-	120.0	24	2-284046-4
		-	115.0	23	2-284046-3
		-	110.0	22	2-284046-2
		-	150.0	21	2-284046-1
		-	100.0	20	2-284046-0
		-	95.0	19	1-284046-9
		-	90.0	18	1-284046-8
		-	85.0	17	1-284046-7
		-	80.0	16	1-284046-6
		-	75.0	15	1-284046-5
		-	70.0	14	1-284046-4
		-	65.0	13	1-284046-3
		-	60.0	12	1-284046-2
		-	55.0	11	1-284046-1
		-	50.0	10	1-284046-0
		-	45.0	9	284046-9
		-	40.0	8	284046-8
		-	35.0	7	284046-7
		-	30.0	6	284046-6
		-	25.0	5	284046-5
		-	20.0	4	284046-4
		-	15.0	3	284046-3
		-	10.0	2	284046-2

CONTACT FINISH	MARKING	A	NO OF POSN	PART NUMBER
----------------	---------	---	------------	-------------

THIS DRAWING IS A CONTROLLED DOCUMENT.

DWN S.WELDON 05FEB2003
 CHK C.RICHARD 05FEB2003
 APVD C.RICHARD 05FEB2003

STE TE Connectivity

NAME: TERMINAL BLOCK, VERTICAL PLUG, STACKING, RIGHT HAND, 5.00mm PITCH

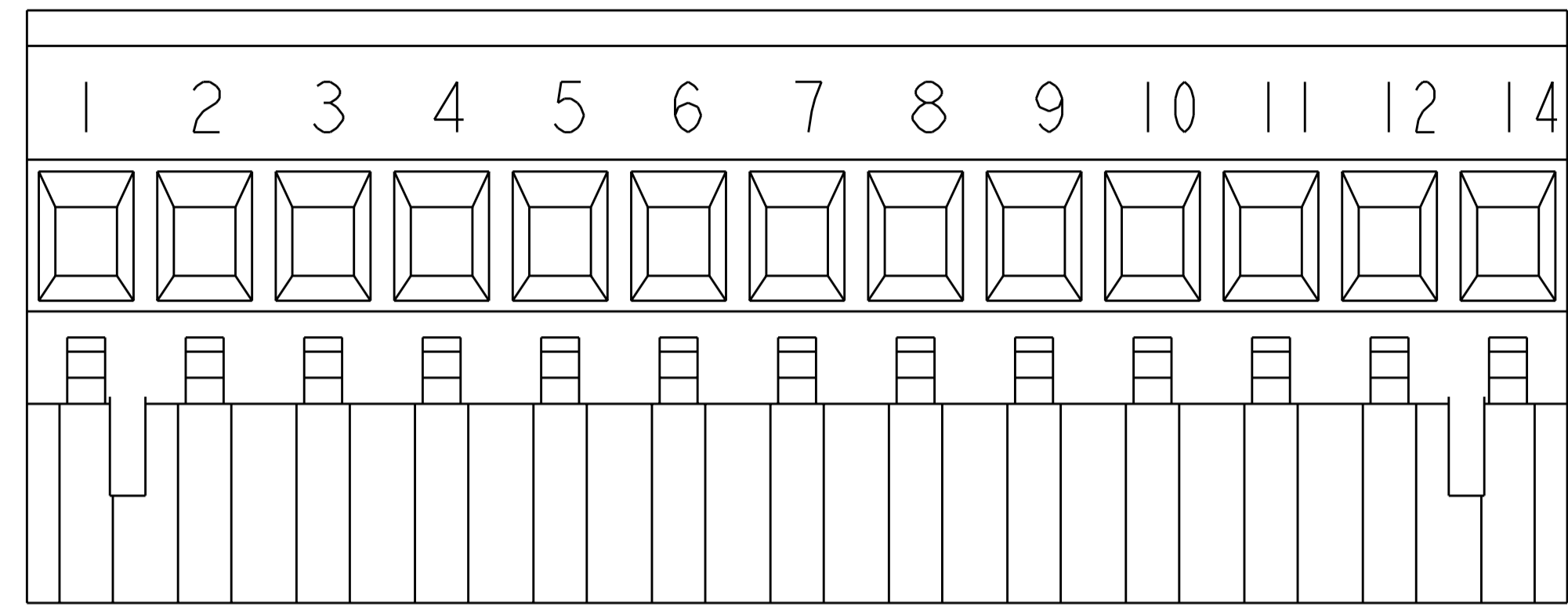
SIZE: A2 CAGE CODE: 00779 DRAWING NO: C-284046 RESTRICTED TO: -

MATERIAL: TOLERANCES UNLESS OTHERWISE SPECIFIED: 0 PLC ±.3, 1 PLC ±.3, 2 PLC ±.25, 3 PLC ±.25, 4 PLC ±.25, ANGLES ±2, FINISH

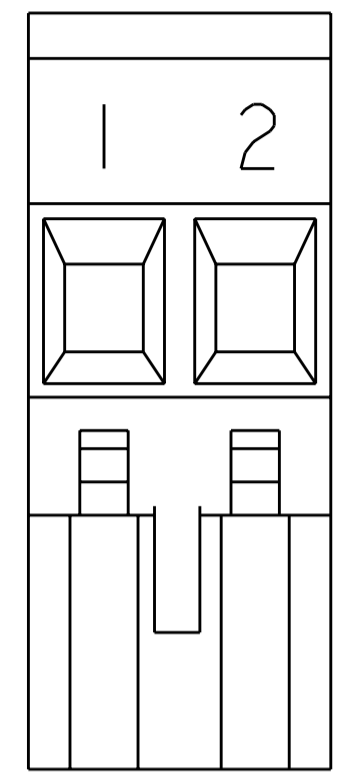
CUSTOMER DRAWING SCALE: 4:1 SHEET 1 OF 3 REV E2

THIS DRAWING IS UNPUBLISHED. RELEASED FOR PUBLICATION 20
 © COPYRIGHT 20 BY ALL RIGHTS RESERVED.

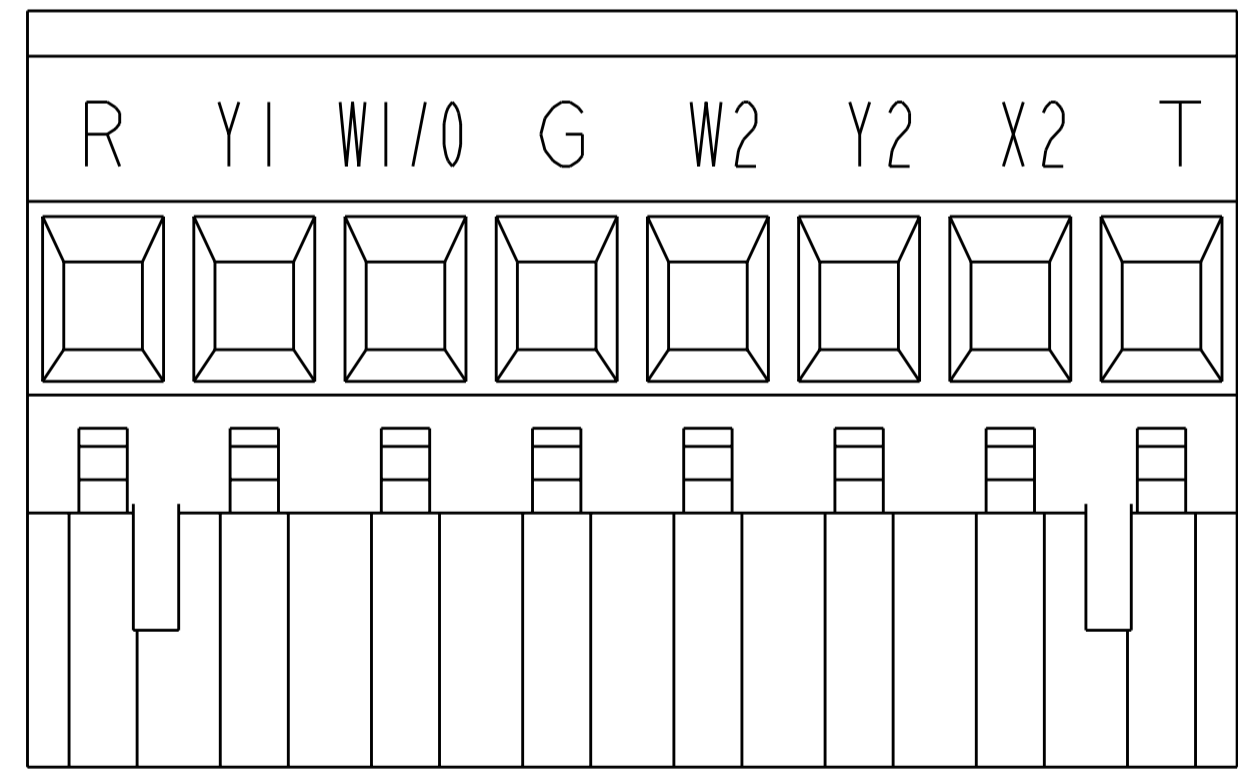
LOC	DIST	REVISIONS			
P	LTR	DESCRIPTION	DATE	DWN	APVD
FT	0	-	SEE SHEET 1	-	-



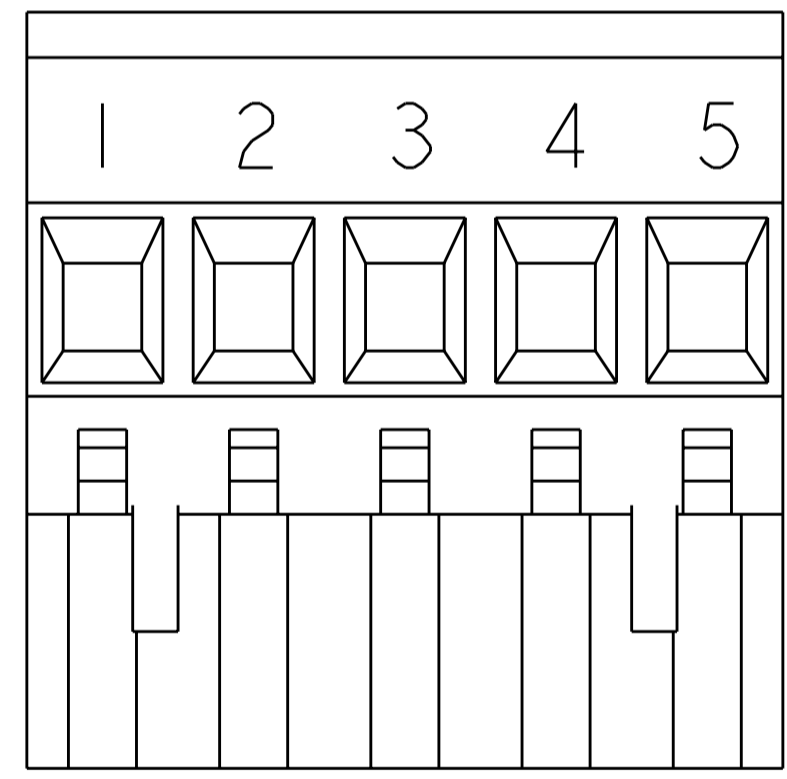
2-284046-7 AS SHOWN



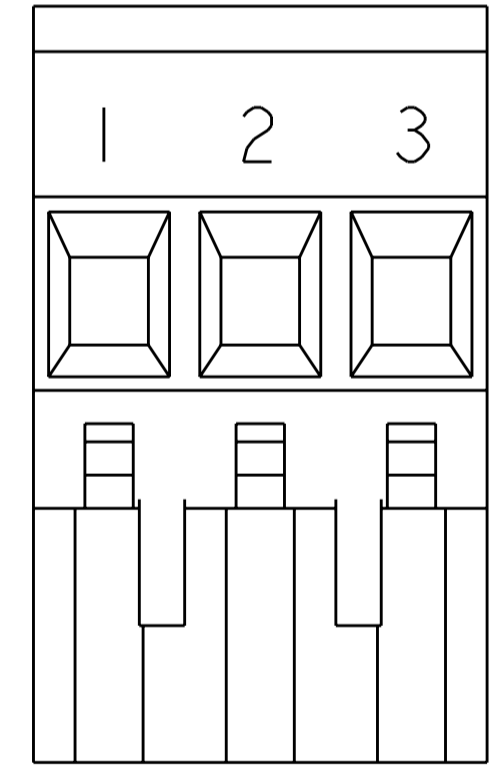
3-284046-0 AS SHOWN




2-284046-6 AS SHOWN



2-284046-9 AS SHOWN

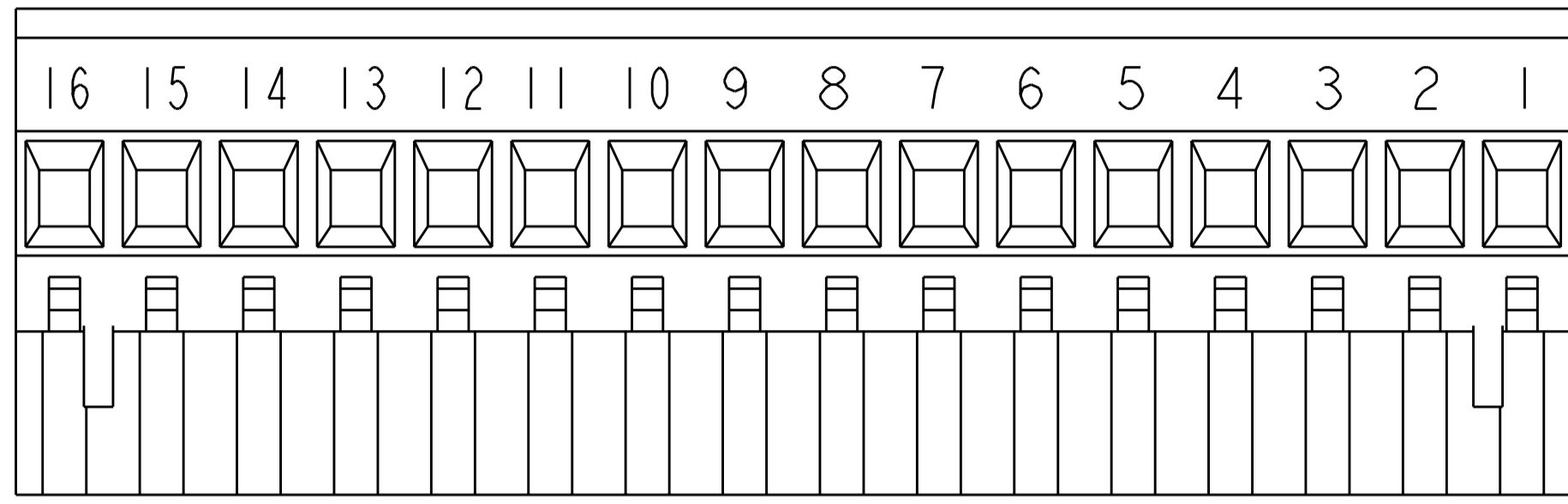


3-284046-1 AS SHOWN

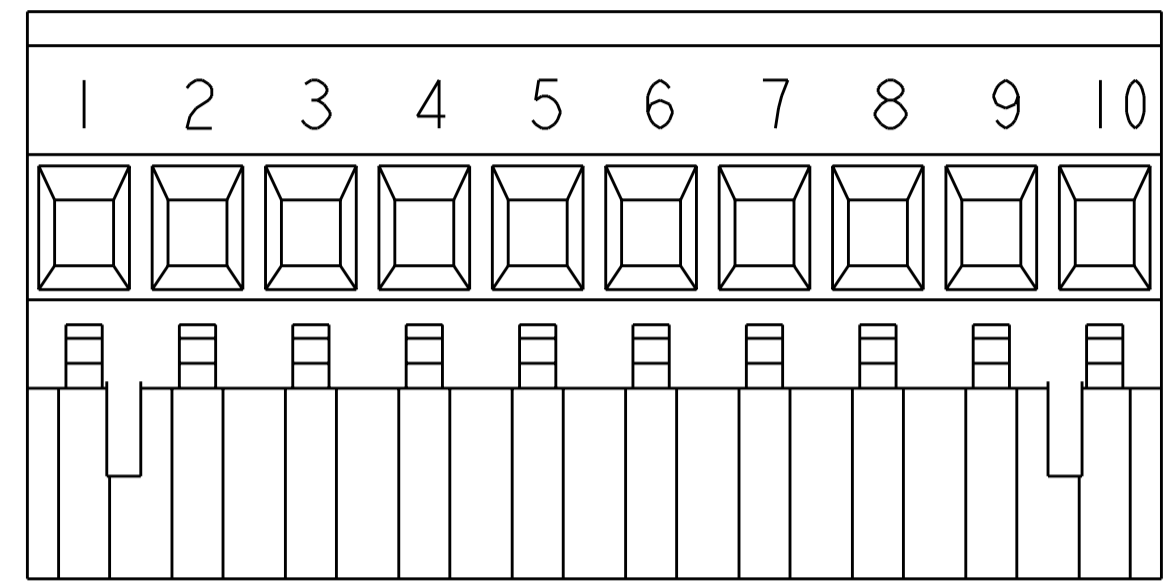
THIS DRAWING IS A CONTROLLED DOCUMENT.		DWN S. WELDON 05FEB2003	 TE Connectivity	
DIMENSIONS: mm		CHK C. RICHARD 05FEB2003		
TOLERANCES UNLESS OTHERWISE SPECIFIED:		APVD C. RICHARD 05FEB2003	NAME TERMINAL BLOCK, VERTICAL PLUG, STACKING, RIGHT HAND, 5.00mm PITCH	
0 PLC ±- 1 PLC ±.3 2 PLC ±.25 3 PLC ±- 4 PLC ±- ANGLES ±2 FINISH		PRODUCT SPEC -	SIZE A200779	DRAWING NO C-284046
MATERIAL -		APPLICATION SPEC -	RESTRICTED TO -	SCALE 4:1
		WEIGHT -	SHEET 2 OF 3	
		CUSTOMER DRAWING	REV E2	

THIS DRAWING IS UNPUBLISHED. RELEASED FOR PUBLICATION 20
 © COPYRIGHT 20 BY - ALL RIGHTS RESERVED.

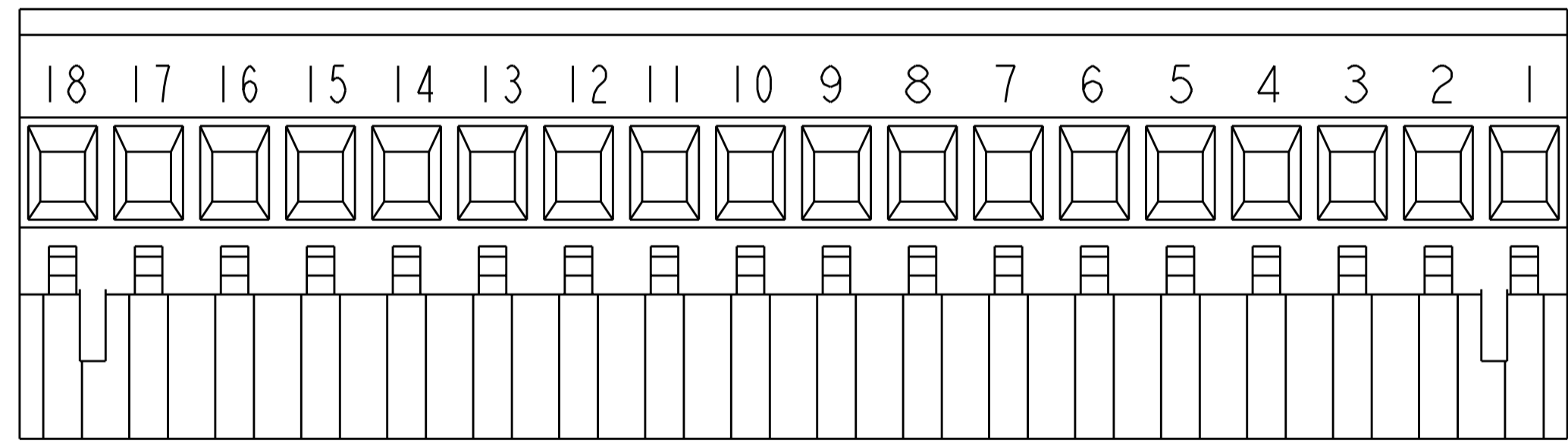
LOC	DIST	REVISIONS			
P	LTR	DESCRIPTION	DATE	DWN	APVD
FT	0	-	SEE SHEET 1	-	-



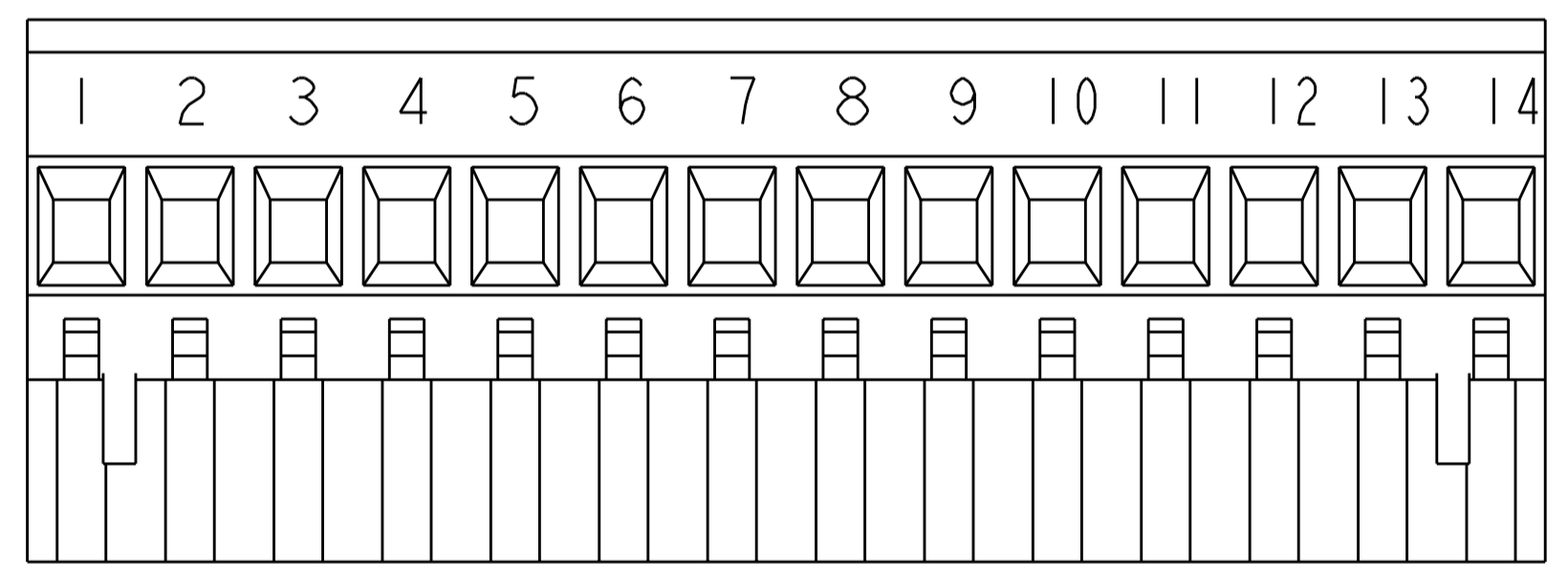
3-284046-2 AS SHOWN \triangle 5



3-284046-4 AS SHOWN



3-284046-3 AS SHOWN \triangle 5



3-284046-5 AS SHOWN

THIS DRAWING IS A CONTROLLED DOCUMENT.		DWN S. WELDON 05FEB2003	TE Connectivity	
DIMENSIONS: mm		CHK C. RICHARD 05FEB2003		
TOLERANCES UNLESS OTHERWISE SPECIFIED:		APVD C. RICHARD 05FEB2003	NAME TERMINAL BLOCK, VERTICAL PLUG, STACKING, RIGHT HAND, 5.00mm PITCH	
0 PLC ±- 1 PLC ±.3 2 PLC ±.25 3 PLC ±- 4 PLC ±- ANGLES ±2 FINISH		PRODUCT SPEC -	SIZE A200779	DRAWING NO C-284046
MATERIAL -		APPLICATION SPEC -	RESTRICTED TO -	
		WEIGHT -	SCALE 3:1	SHEET 3 OF 3 REV E2
		CUSTOMER DRAWING		