



Chipsmall Limited consists of a professional team with an average of over 10 year of expertise in the distribution of electronic components. Based in Hongkong, we have already established firm and mutual-benefit business relationships with customers from,Europe,America and south Asia,supplying obsolete and hard-to-find components to meet their specific needs.

With the principle of “Quality Parts,Customers Priority,Honest Operation,and Considerate Service”,our business mainly focus on the distribution of electronic components. Line cards we deal with include Microchip,ALPS,ROHM,Xilinx,Pulse,ON,Everlight and Freescale. Main products comprise IC,Modules,Potentiometer,IC Socket,Relay,Connector.Our parts cover such applications as commercial,industrial, and automotives areas.

We are looking forward to setting up business relationship with you and hope to provide you with the best service and solution. Let us make a better world for our industry!



Contact us

Tel: +86-755-8981 8866 Fax: +86-755-8427 6832

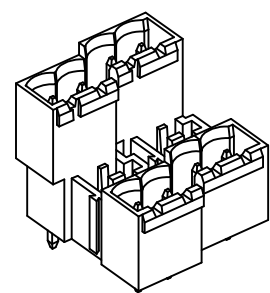
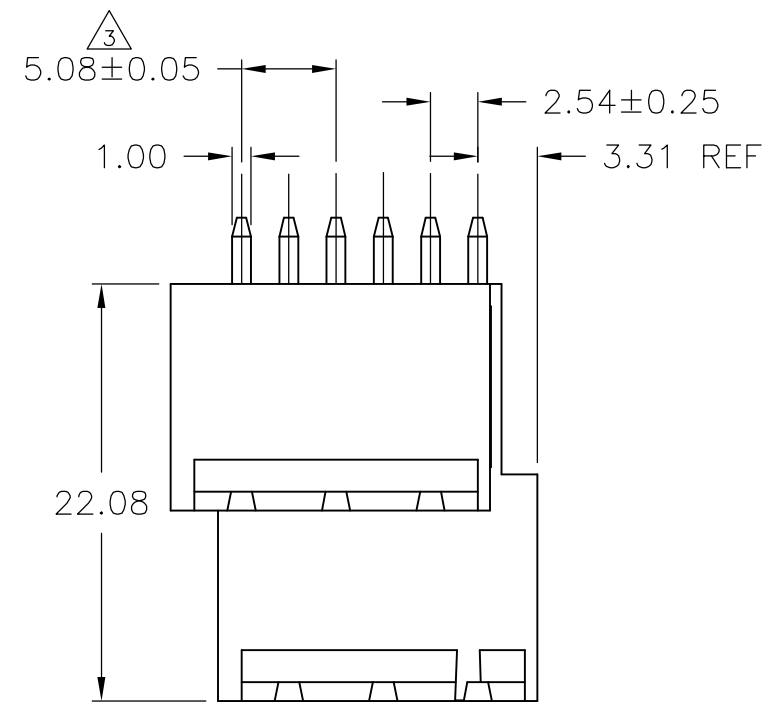
Email & Skype: info@chipsmall.com Web: www.chipsmall.com

Address: A1208, Overseas Decoration Building, #122 Zhenhua RD., Futian, Shenzhen, China

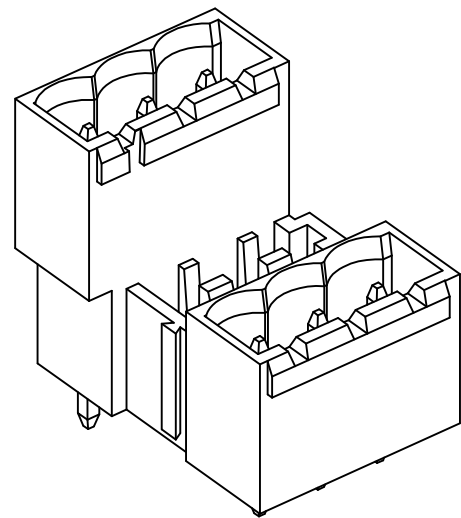


THIS DRAWING IS UNPUBLISHED. RELEASED FOR PUBLICATION
 © COPYRIGHT - By - ALL RIGHTS RESERVED.

LOC	DIST	REVISIONS					
		P	LTR	DESCRIPTION	DATE	DWN	APVD
-	-		C4	REVISED PER ECO-12-007714	25APR12	KH	MS



EXPLODED VIEW OF 284064-4

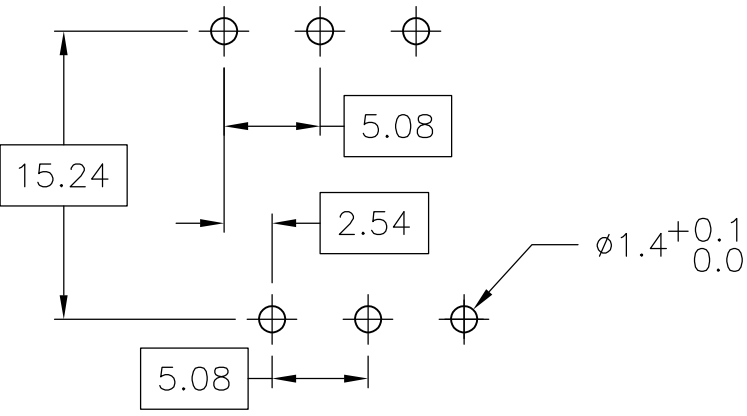
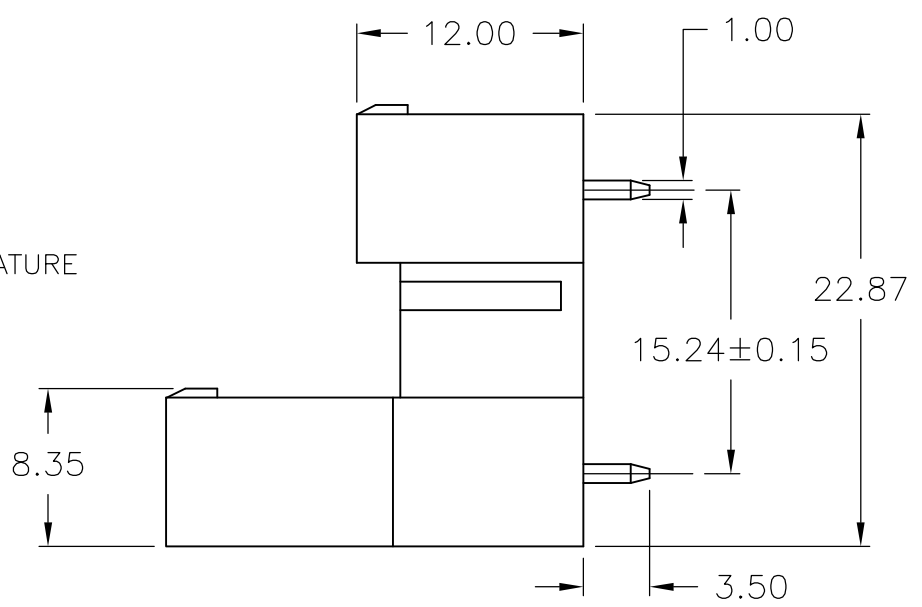
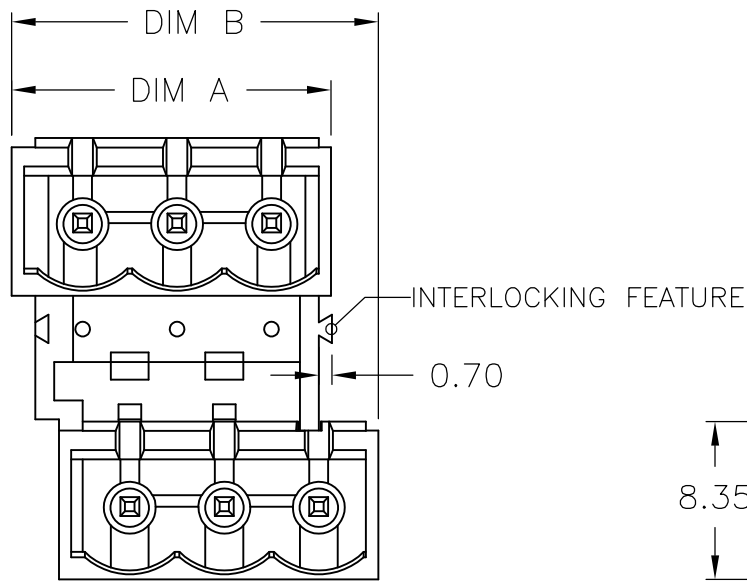


284065-3 AS SHOWN

5 MODULES AND KEYS TO BE GLUED IN PLACE.

- 1 MATERIALS AND FINISH:
HOUSING: PA 6-6, UL94V-0, COLOR GREEN.
TERMINAL: COPPER ALLOY, TIN PLATED.
- 2 SUITABLE FOR 1.6-2.4mm PC BOARD THK.
- 3 NON CUMULATIVE TOLERANCE.
- 4 P/N FROM 28465-3 TO 2-284065-5 ARE OBTAINED BY ASSEMBLING DIFFERENT MONOLITHIC MODULES CHOOSEN AMONG: 284065-2 AND 284065-3, IN ORDER TO REALIZE THE DESIRED NO. OF WAYS.

5	108.72	111.26	21	3-284065-3
5	78.24	80.78	15	3-284065-2
5	83.32	85.86	16	3-284065-1
5	123.96	126.50	24	3-284065-0
5	123.96	126.50	24	2-284065-9
5	93.48	96.02	18	2-284065-8
5	83.32	85.86	16	2-284065-7
5	63.00	65.54	12	2-284065-6
5	129.92	132.46	25	2-284065-5
5	123.96	126.50	24	2-284065-4
5	118.88	121.42	23	2-284065-3
5	113.80	116.34	22	2-284065-2
5	108.72	111.26	21	2-284065-1
5	103.64	106.18	20	2-284065-0
5	98.56	101.10	19	1-284065-9
5	93.48	96.02	18	1-284065-8
5	88.40	90.94	17	1-284065-7
5	83.32	85.86	16	1-284065-6
5	78.24	80.78	15	1-284065-5
5	73.16	74.50	14	1-284065-4
5	68.08	70.62	13	1-284065-3
5	63.00	65.54	12	1-284065-2
5	57.92	60.46	11	1-284065-1
5	52.84	55.38	10	1-284065-0
5	47.76	50.30	9	284065-9
5	42.68	45.22	8	284065-8
5	37.60	40.14	7	284065-7
5	32.52	35.06	6	284065-6
5	27.44	29.98	5	284065-5
5	22.36	24.90	4	284065-4
5	17.28	19.82	3	284065-3
5	12.2	14.74	2	284065-2
DIM"A"	DIM"B"	N°OF TOTAL POS.	PART NUMBER	



RECOMMENDED PC BOARD LAYOUT

THIS DRAWING IS A CONTROLLED DOCUMENT.		DWN S SCHLEGEL 07MAR2008	STE TE Connectivity	
DIMENSIONS: mm		CHK C RICHARD 3/7/08		
TOLERANCES UNLESS OTHERWISE SPECIFIED:		APVD C RICHARD 3/7/08	NAME	
0 PLC ± -		PRODUCT SPEC	TERMINAL BLOCK, MULTIPLE HEADER, 180 DEGREE CLOSED ENDS, 5.08mm PITCH	
1 PLC ± 0.3		APPLICATION SPEC	SIZE CAGE CODE DRAWING NO RESTRICTED TO	
2 PLC ± 0.25		WEIGHT -	A3 00779 C-284065	
3 PLC ± -		CUSTOMER DRAWING	SCALE NTS	SHEET 1 OF 4
4 PLC ± -				REV C4
ANGLES ± 2'				
FINISH -				

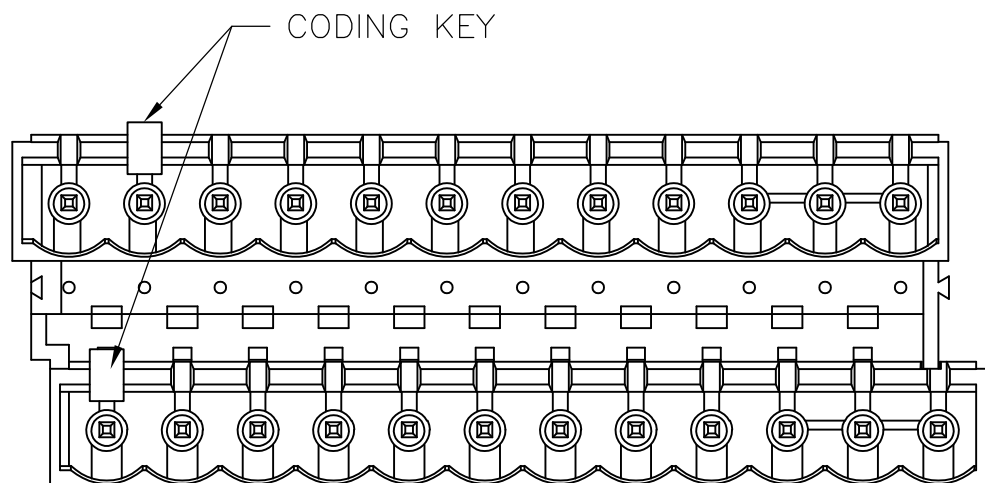
THIS DRAWING IS UNPUBLISHED.

RELEASED FOR PUBLICATION

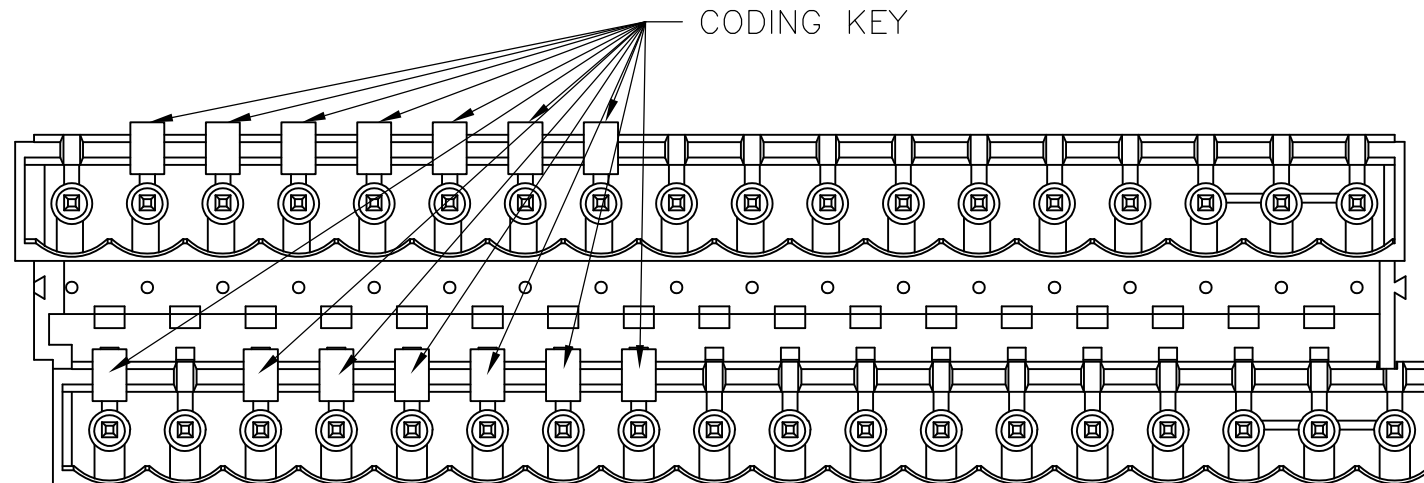
© COPYRIGHT - By -

ALL RIGHTS RESERVED.

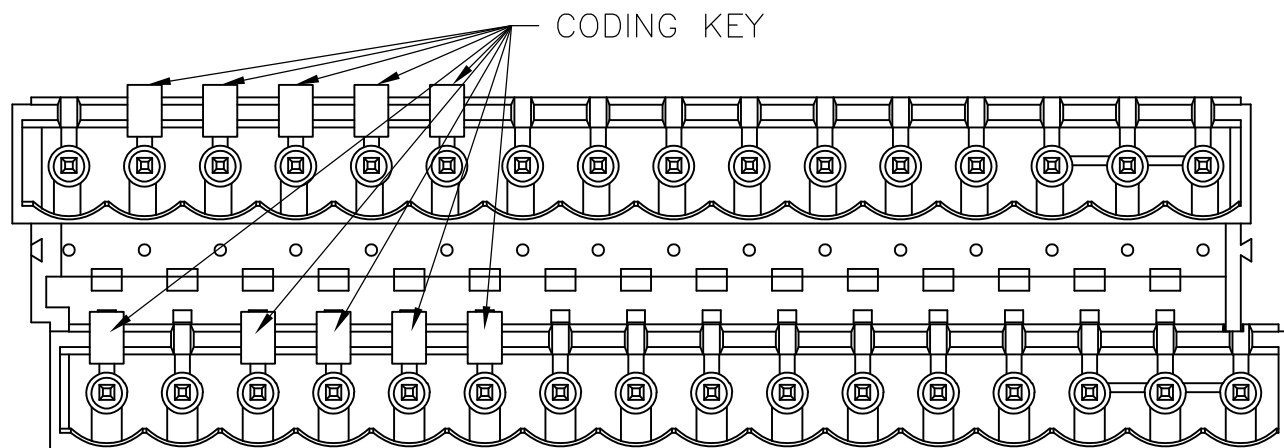
LOC	DIST	REVISIONS			
P	LTR	DESCRIPTION	DATE	DWN	APVD
-	-	SEE SHEET 1	-	-	-



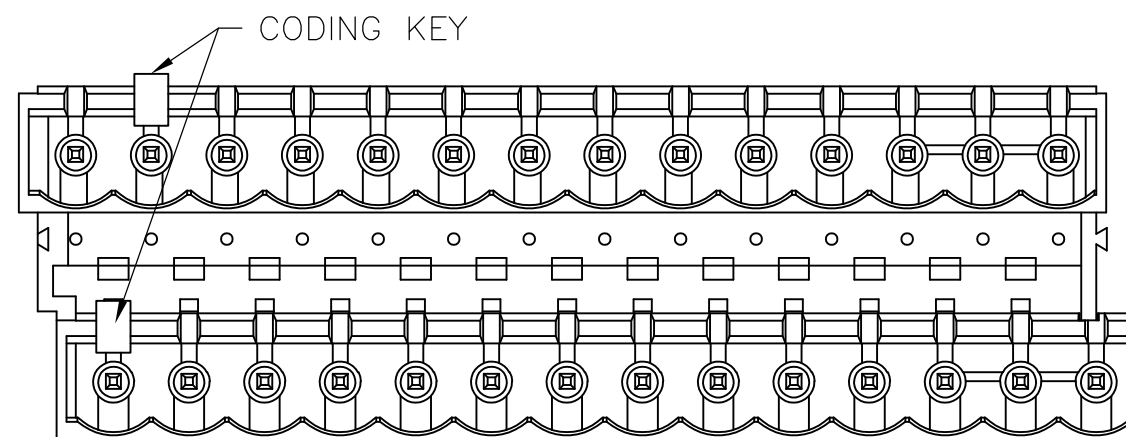
2-284065-6




2-284065-9



2-284065-7



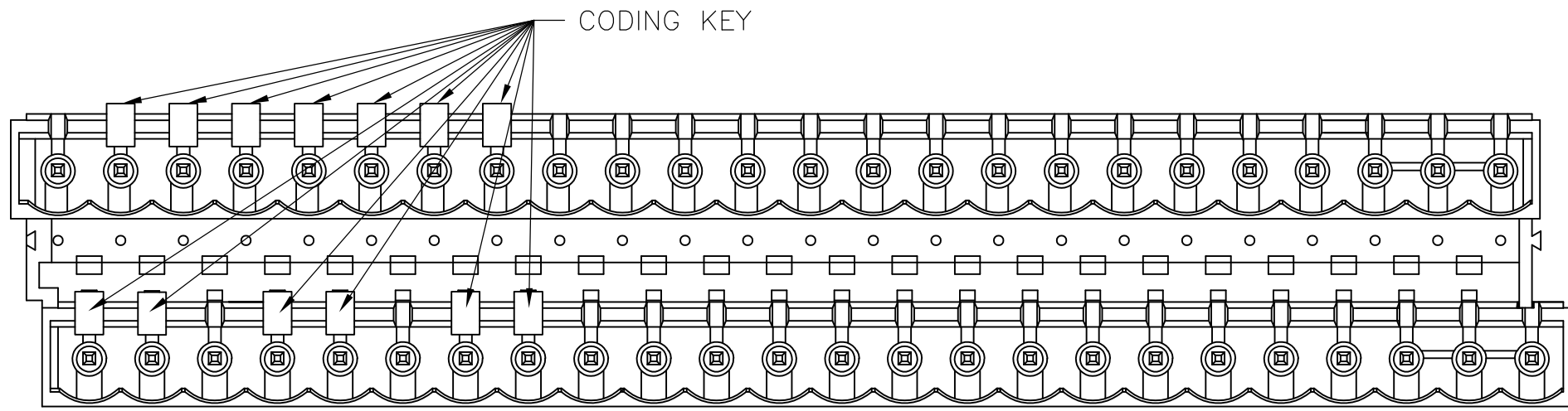
2-284065-8

THIS DRAWING IS A CONTROLLED DOCUMENT.		DWN S SCHLEGEL 07MAR2008	 TE Connectivity													
DIMENSIONS: mm		CHK C RICHARD 3/7/08														
TOLERANCES UNLESS OTHERWISE SPECIFIED:		APVD C RICHARD 3/7/08	NAME TERMINAL BLOCK, MULTIPLE HEADER, 180 DEGREE CLOSED ENDS, 5.08mm PITCH													
<table border="0"> <tr><td>0 PLC</td><td>± -</td></tr> <tr><td>1 PLC</td><td>± 0.3</td></tr> <tr><td>2 PLC</td><td>± 0.25</td></tr> <tr><td>3 PLC</td><td>± -</td></tr> <tr><td>4 PLC</td><td>± -</td></tr> <tr><td>ANGLES</td><td>± 2°</td></tr> </table>		0 PLC	± -	1 PLC	± 0.3	2 PLC	± 0.25	3 PLC	± -	4 PLC	± -	ANGLES	± 2°	PRODUCT SPEC -	SIZE A3	
0 PLC	± -															
1 PLC	± 0.3															
2 PLC	± 0.25															
3 PLC	± -															
4 PLC	± -															
ANGLES	± 2°															
MATERIAL -		FINISH -	CAGE CODE 00779	DRAWING NO C-284065												
		APPLICATION SPEC -	RESTRICTED TO -													
		WEIGHT -	CUSTOMER DRAWING													
		SCALE NTS		SHEET 2 OF 4												
				REV C4												

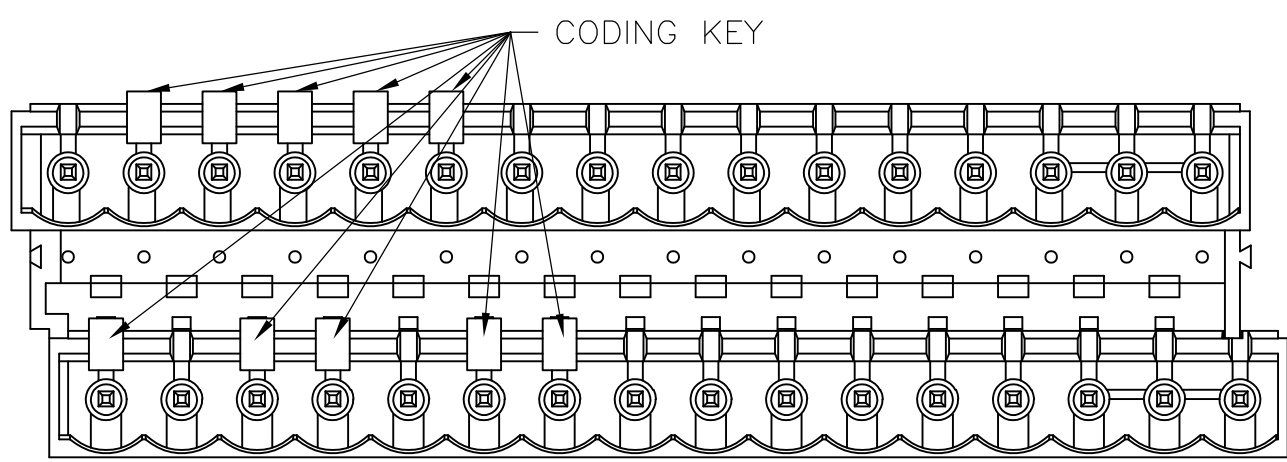
THIS DRAWING IS UNPUBLISHED. RELEASED FOR PUBLICATION --,--

© COPYRIGHT - By - ALL RIGHTS RESERVED.


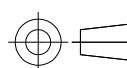
LOC	DIST	REVISIONS			
P	LTR	DESCRIPTION	DATE	DWN	APVD
-	-	SEE SHEET 1	-	-	-



3-284065-0

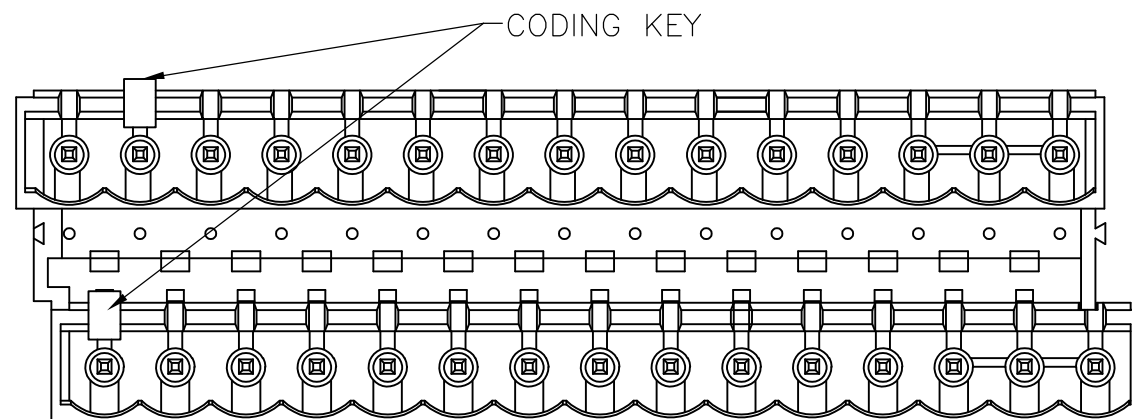


3-284065-1

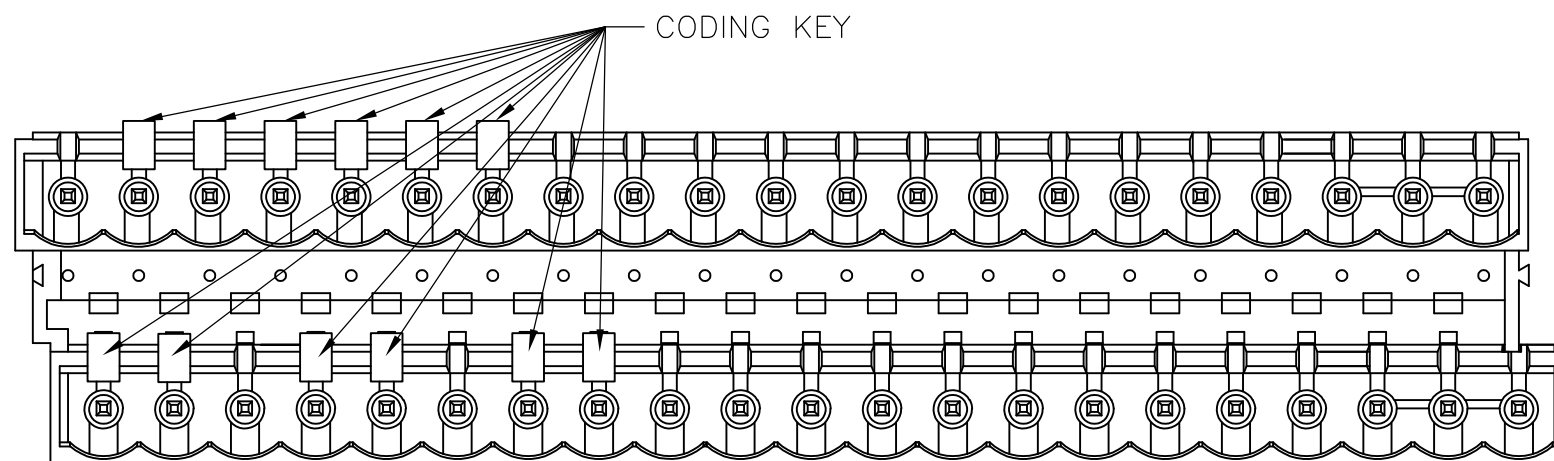
THIS DRAWING IS A CONTROLLED DOCUMENT.		DWN	S SCHLEGEL	07MAR2008	 TE Connectivity
DIMENSIONS: mm		CHK	C RICHARD	3/7/08	
		APVD	C RICHARD	3/7/08	
TOLERANCES UNLESS OTHERWISE SPECIFIED:		PRODUCT SPEC	NAME		
0 PLC ± -		APPLICATION SPEC	TERMINAL BLOCK, MULTIPLE HEADER, 180 DEGREE CLOSED ENDS, 5.08mm PITCH		
1 PLC ± 0.3		WEIGHT	SIZE		
2 PLC ± 0.25		-	CAGE CODE		
3 PLC ± -			A3 00779		
4 PLC ± -		DRAWING NO		RESTRICTED TO	
ANGLES ± 2'		C-284065		-	
MATERIAL		CUSTOMER DRAWING		SCALE	
FINISH		-		NTS	
		SHEET		3 OF 4	
		REV		C4	

THIS DRAWING IS UNPUBLISHED. RELEASED FOR PUBLICATION - , -
 © COPYRIGHT - By - ALL RIGHTS RESERVED.

LOC		DIST		REVISIONS			
P	LTR	DESCRIPTION		DATE	DWN	APVD	
-	-	SEE SHEET 1		-	-	-	



3-284065-2



3-284065-3

THIS DRAWING IS A CONTROLLED DOCUMENT.		DWN	07MAR2008		STE TE Connectivity			
		CHK	3/7/08					
		APVD	3/7/08		NAME TERMINAL BLOCK, MULTIPLE HEADER, 180 DEGREE CLOSED ENDS, 5.08mm PITCH			
		PRODUCT SPEC						
		APPLICATION SPEC			SIZE	CAGE CODE	DRAWING NO	RESTRICTED TO
		WEIGHT			A3	00779	C-284065	-
CUSTOMER DRAWING		SCALE	NTS		SHEET	4 OF 4		REV C4

DIMENSIONS:	TOLERANCES UNLESS OTHERWISE SPECIFIED:
mm	
	0 PLC ± -
	1 PLC ± 0.3
	2 PLC ± 0.25
	3 PLC ± -
	4 PLC ± -
	ANGLES ± 2°

MATERIAL	FINISH
-	-

D
C
B
A

D
C
B
A