



Chipsmall Limited consists of a professional team with an average of over 10 year of expertise in the distribution of electronic components. Based in Hongkong, we have already established firm and mutual-benefit business relationships with customers from,Europe,America and south Asia,supplying obsolete and hard-to-find components to meet their specific needs.

With the principle of “Quality Parts,Customers Priority,Honest Operation,and Considerate Service”,our business mainly focus on the distribution of electronic components. Line cards we deal with include Microchip,ALPS,ROHM,Xilinx,Pulse,ON,Everlight and Freescale. Main products comprise IC,Modules,Potentiometer,IC Socket,Relay,Connector.Our parts cover such applications as commercial,industrial, and automotives areas.

We are looking forward to setting up business relationship with you and hope to provide you with the best service and solution. Let us make a better world for our industry!



## Contact us

Tel: +86-755-8981 8866 Fax: +86-755-8427 6832

Email & Skype: info@chipsmall.com Web: www.chipsmall.com

Address: A1208, Overseas Decoration Building, #122 Zhenhua RD., Futian, Shenzhen, China



THIS DRAWING IS UNPUBLISHED.

RELEASED FOR PUBLICATION

20

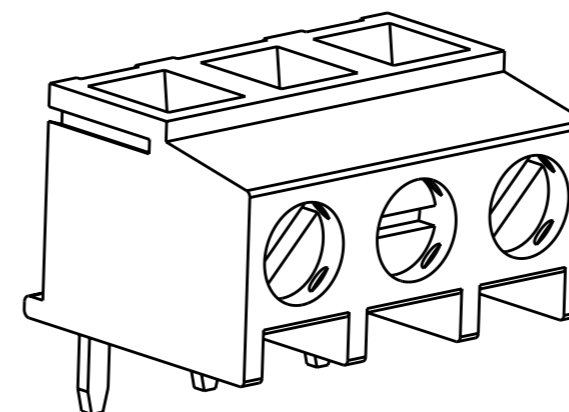
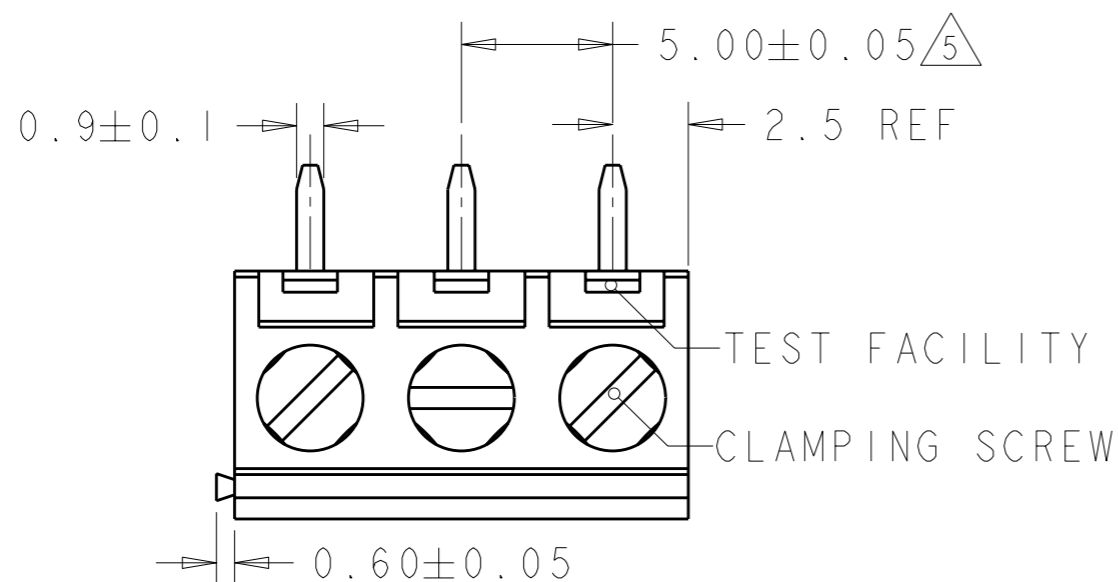
© COPYRIGHT 20 BY -

ALL RIGHTS RESERVED.

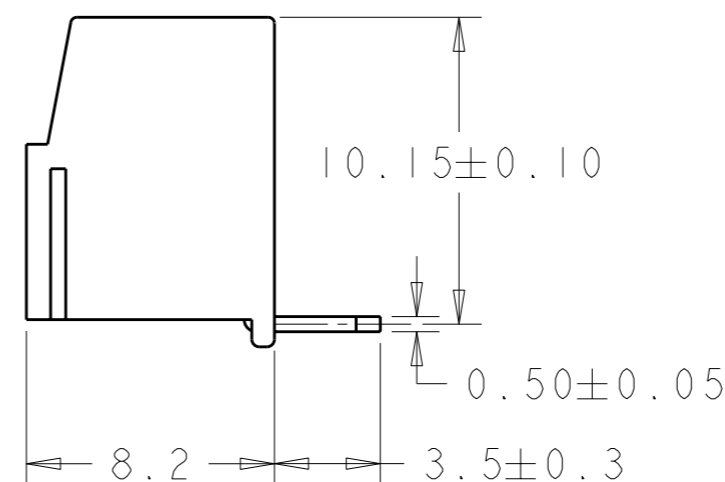
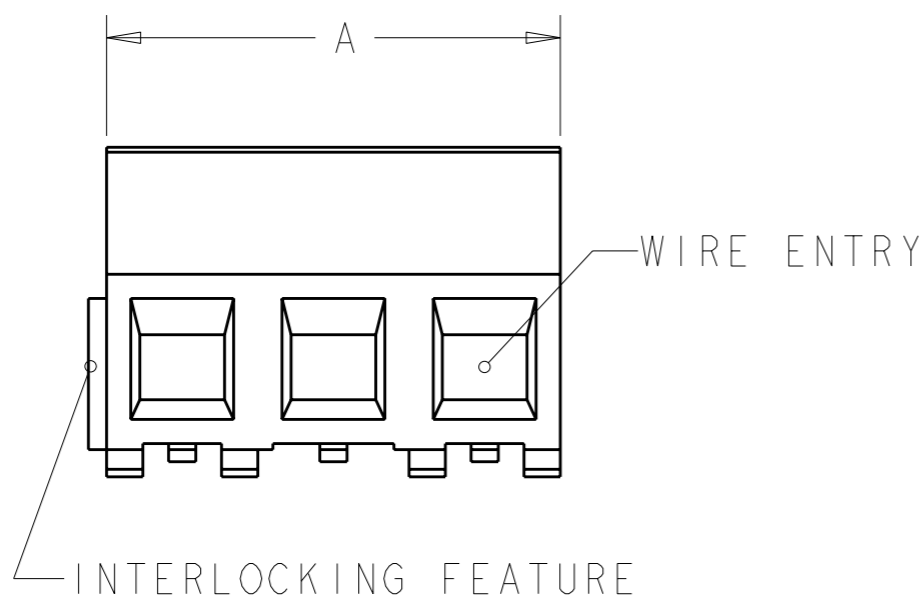
LOC	DIST
FT	0

REVISIONS

P	LTR	DESCRIPTION	DATE	DWN	APVD
	D2	REVISED PER ECO-11-005027	14MAR2011	RK	HMR

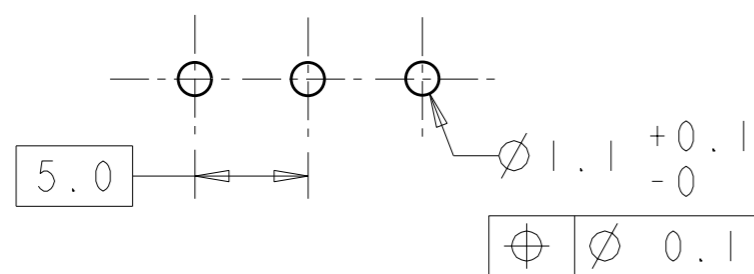


284093-3 AS SHOWN



DIM. A	N° OF POS.	PART NUMBER
125	25	2-284093-5
120	24	2-284093-4
115	23	2-284093-3
110	22	2-284093-2
105	21	2-284093-1
100	20	2-284093-0
95	19	1-284093-9
90	18	1-284093-8
85	17	1-284093-7
80	16	1-284093-6
75	15	1-282093-5
70	14	1-284093-4
65	13	1-284093-3
60	12	1-284093-2
55	11	1-284093-1
50	10	1-284093-0
45	9	284093-9
40	8	284093-8
35	7	284093-7
30	6	284093-6
25	5	284093-5
20	4	284093-4
15	3	284093-3
10	2	284093-2

RECOMMENDED PC BOARD LAYOUT



THIS DRAWING IS A CONTROLLED DOCUMENT.		DWN E. ZANOLINI	10SEP2001	
DIMENSIONS: mm		CHK D. BIEVENOUR	10SEP2001	
TOLERANCES UNLESS OTHERWISE SPECIFIED:		APVD D. BIEVENOUR	10SEP2001	
0 PLC ±.3		PRODUCT SPEC	10820166	
1 PLC ±.25		APPLICATION SPEC	114-20079	
2 PLC ±.		WEIGHT	-	
3 PLC ±.		CUSTOMER DRAWING		
4 PLC ±.		SCALE 4:1		
ANGLES ±2		SHEET 1 OF 2		
FINISH		REV D2		



**STE** TE Connectivity


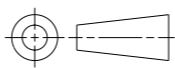
NAME: TERMINAL BLOCK, PCB MOUNT  
TOP ENTRY WIRE, STACKING  
W/INTERLOCK, 5.00mm PITCH

SIZE: A3 CAGE CODE: 00779 DRAWING NO: C-284093 RESTRICTED TO: -

THIS DRAWING IS UNPUBLISHED. RELEASED FOR PUBLICATION 20  
 © COPYRIGHT 20 BY - ALL RIGHTS RESERVED.

LOC	DIST	REVISIONS			
P	LTR	DESCRIPTION	DATE	DWN	APVD
		SEE SHEET 1	-	-	-

- 1  MATERIALS AND FINISH  
 HOUSING: PA 6-6, UL 94-V0, COLOR GREEN.  
 CLAMP: BRASS, NICKEL PLATED.  
 TERMINAL: BRASS, TIN PLATED.  
 CLAMPING SCREW: M3, BRASS, NICKEL PLATED.
- 2 SUITABLE FOR 1,6-2,4mm PC BOARD THICKNESS.
- 3 END-TO-END STACKABLE W/INTERLOCK WITHOUT LOSS OF CENTERLINE SPACING.
- 4 WIRE SIZE RANGE  
 SOLID WIRE: 0,03-1,5mm<sup>2</sup> (15AWG).  
 STRANDED WIRE: 0,03-1mm<sup>2</sup> (17AWG).
- 5  NOT CUMULATIVE TOLERANCE.
- 6 PART COMPLIES WITH EN 60335-1.

THIS DRAWING IS A CONTROLLED DOCUMENT.		DWN E. ZANOLINI	 TE Connectivity	
DIMENSIONS: mm		CHK D. BIEVENOUR		
		APVD D. BIEVENOUR	NAME TERMINAL BLOCK, PCB MOUNT TOP ENTRY WIRE, STACKING W/INTERLOCK, 5.00mm PITCH	
TOLERANCES UNLESS OTHERWISE SPECIFIED:		PRODUCT SPEC	RESTRICTED TO	
0 PLC ±-		APPLICATION SPEC	SIZE	CAGE CODE
1 PLC ±-			A3	00779
2 PLC ±-			DRAWING NO	
3 PLC ±-			C-284093	
4 PLC ±-				
ANGLES ±2		WEIGHT		
MATERIAL	FINISH	CUSTOMER DRAWING		SCALE 4:1
-	-			SHEET 2 OF 2
				REV D2