



Chipsmall Limited consists of a professional team with an average of over 10 year of expertise in the distribution of electronic components. Based in Hongkong, we have already established firm and mutual-benefit business relationships with customers from,Europe,America and south Asia,supplying obsolete and hard-to-find components to meet their specific needs.

With the principle of “Quality Parts,Customers Priority,Honest Operation,and Considerate Service”,our business mainly focus on the distribution of electronic components. Line cards we deal with include Microchip,ALPS,ROHM,Xilinx,Pulse,ON,Everlight and Freescale. Main products comprise IC,Modules,Potentiometer,IC Socket,Relay,Connector.Our parts cover such applications as commercial,industrial, and automotives areas.

We are looking forward to setting up business relationship with you and hope to provide you with the best service and solution. Let us make a better world for our industry!



Contact us

Tel: +86-755-8981 8866 Fax: +86-755-8427 6832

Email & Skype: info@chipsmall.com Web: www.chipsmall.com

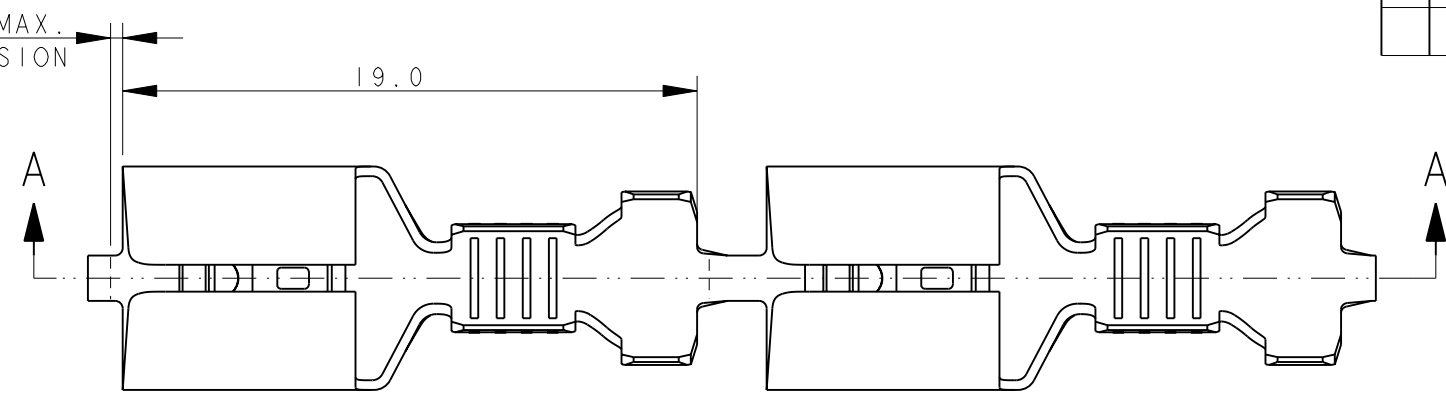
Address: A1208, Overseas Decoration Building, #122 Zhenhua RD., Futian, Shenzhen, China



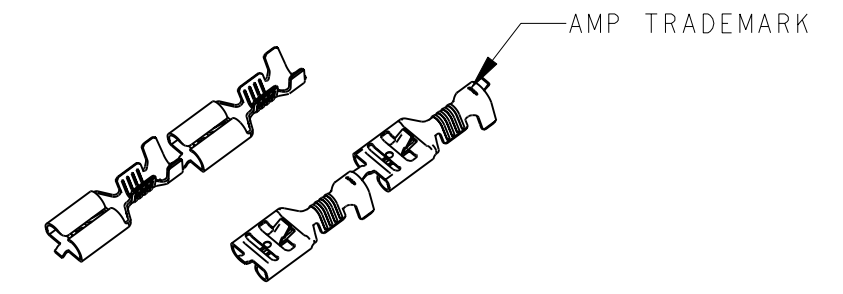
THIS DRAWING IS UNPUBLISHED. RELEASED FOR PUBLICATION 20
 © COPYRIGHT 20 BY TYCO ELECTRONICS CORPORATION. ALL RIGHTS RESERVED.

LOC	DIST	REVISIONS			
P	LTR	DESCRIPTION	DATE	DWN	APVD
1	-	E1	REDRAWN	23AUG2006	HY GT
		E2	REVISED PER ECO-09-026495	16DEC09	KK AEG

0.4 MAX.
CUT-OFF DIMENSION

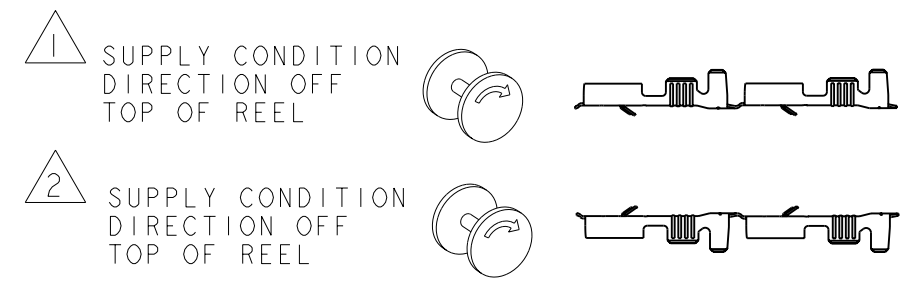
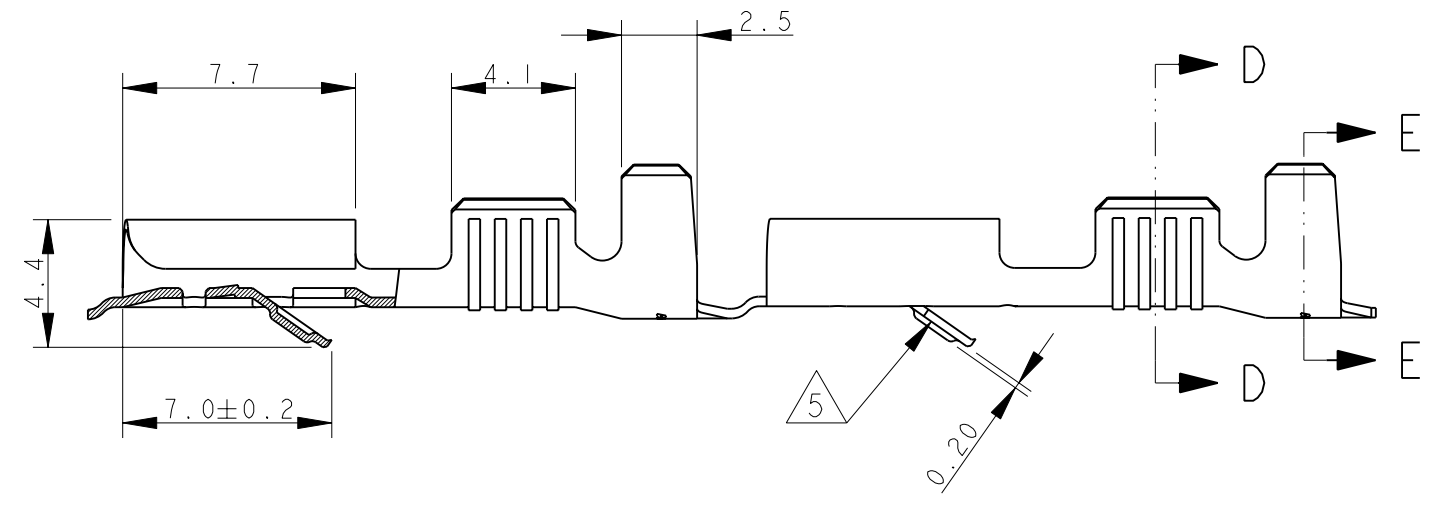
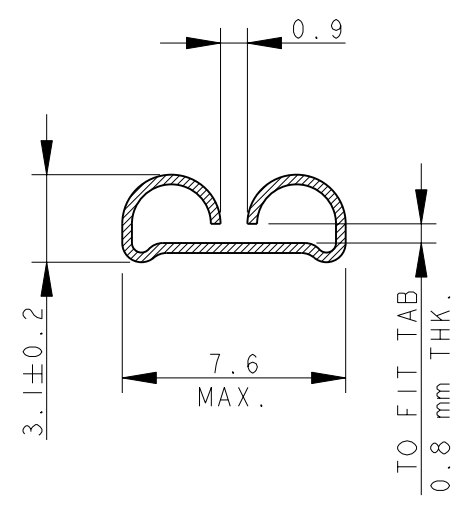
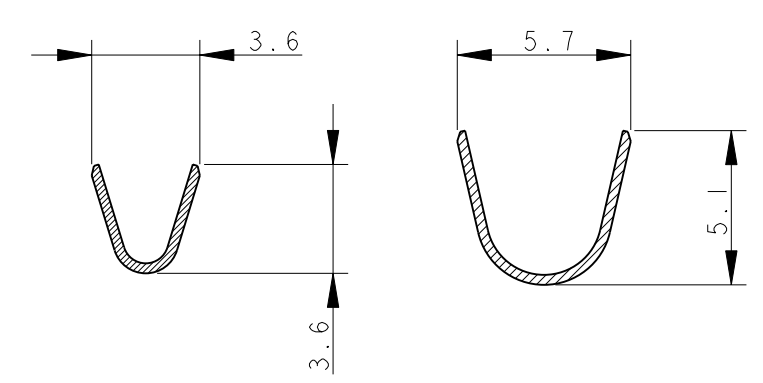


SECTION A - A



SECTION D - D

SECTION E - E



- 1) SUPPLY CONDITION DIRECTION OFF TOP OF REEL
- 2) SUPPLY CONDITION DIRECTION OFF TOP OF REEL
- 3) REELED ON 12" CARTON TYPE REEL WITH INTERLEAVE PAPER STRIP.
- 4) SUITABLE FOR HIGH EXTRACTION FORCE APPLICATION.
- 5) BEAT IN LOCKING LANCE
- 6) VERSION WITH DIMPLE
- 7) OBSOLETE PARTS: OBSOLETE CIS STREAMLINING PER D.RENAUD/D.SINISI

7 OBSOLETE	6	PRE-NICKEL	STEEL	0-284340-5	C
	4	PLAIN	BRASS	0-284340-4	C
		PRE-TINNED	BRASS	0-284340-3	D
	2	PRE-TINNED	BRASS	0-284340-2	E
	NOTE	FINISH	MATERIAL	TYCO P/N	REV

<small>THIS DRAWING IS A CONTROLLED DOCUMENT FOR TYCO ELECTRONICS CORPORATION IT IS SUBJECT TO CHANGE AND THE CONTROLLING ENGINEERING ORGANIZATION SHOULD BE CONTACTED FOR THE LATEST REVISION.</small>		DWN H. YAALI 23AUG2006 CHK H. YAALI 23AUG2006 APVD G. TURCO 23AUG2006		Tyco Electronics, C.so F.lli Cervi, 15 COLLEGNO (TO)	
DIMENSIONS: mm 		TOLERANCES UNLESS OTHERWISE SPECIFIED: 0 PLC ±0.3 1 PLC ±0.3 2 PLC ± 3 PLC ± 4 PLC ± ANGLES ±2°		NAME FASTIN-FASTON* Connector 6.3 mm sr. RECEPTACLE CONTACT	
MATERIAL SEE TABLE		FINISH SEE TABLE		PRODUCT SPEC 108-20020 APPLICATION SPEC 114-20021 WEIGHT -	
		CUSTOMER DRAWING		SIZE A300779 CAGE CODE C-284340 DRAWING NO RESTRICTED TO	
				SCALE 4:1 SHEET 1 OF 1 REV E2	