



Chipsmall Limited consists of a professional team with an average of over 10 year of expertise in the distribution of electronic components. Based in Hongkong, we have already established firm and mutual-benefit business relationships with customers from,Europe,America and south Asia,supplying obsolete and hard-to-find components to meet their specific needs.

With the principle of “Quality Parts,Customers Priority,Honest Operation,and Considerate Service”,our business mainly focus on the distribution of electronic components. Line cards we deal with include Microchip,ALPS,ROHM,Xilinx,Pulse,ON,Everlight and Freescale. Main products comprise IC,Modules,Potentiometer,IC Socket,Relay,Connector.Our parts cover such applications as commercial,industrial, and automotives areas.

We are looking forward to setting up business relationship with you and hope to provide you with the best service and solution. Let us make a better world for our industry!



Contact us

Tel: +86-755-8981 8866 Fax: +86-755-8427 6832

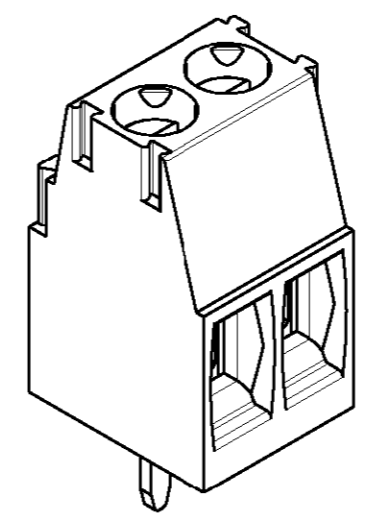
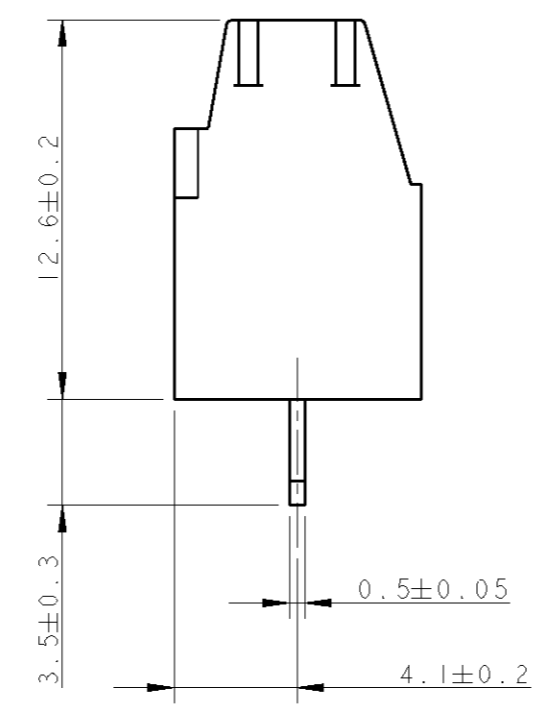
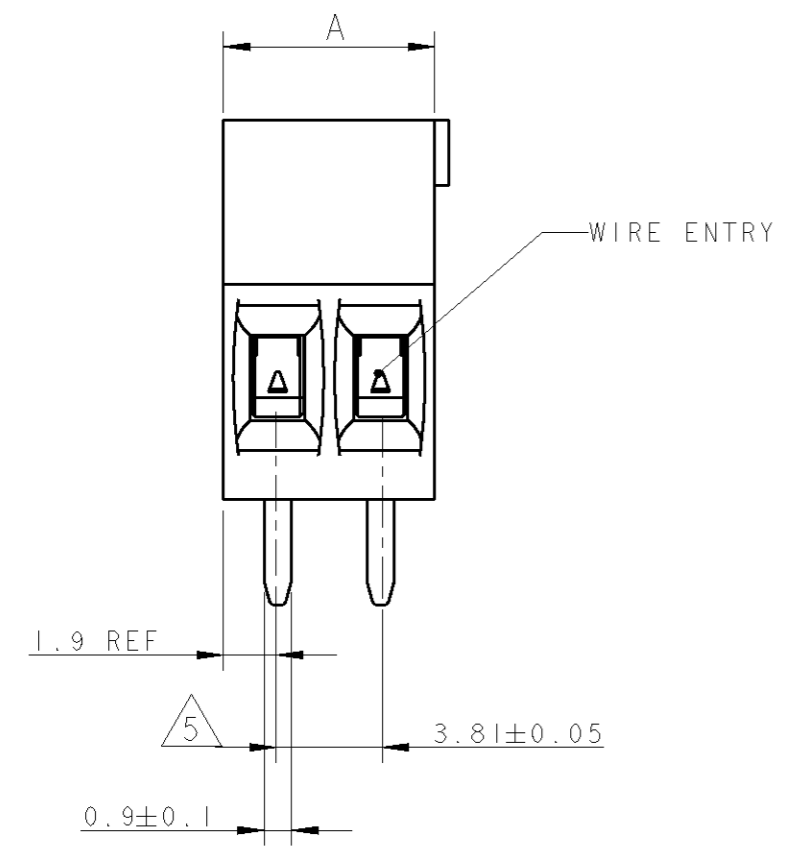
Email & Skype: info@chipsmall.com Web: www.chipsmall.com

Address: A1208, Overseas Decoration Building, #122 Zhenhua RD., Futian, Shenzhen, China

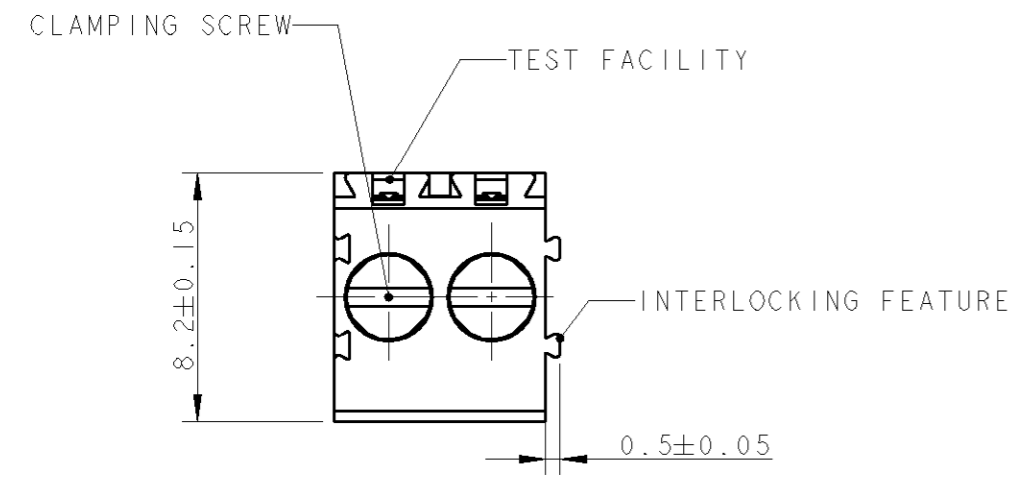


THIS DRAWING IS UNPUBLISHED. RELEASED FOR PUBLICATION 20
 © COPYRIGHT BY ALL RIGHTS RESERVED.

LOC	DIST	REVISIONS				
P	LTR	DESCRIPTION	DATE	DWN	APVD	
FT	0	B1	REVISED PER ECO-11-005294	29APR11	RK	HMR



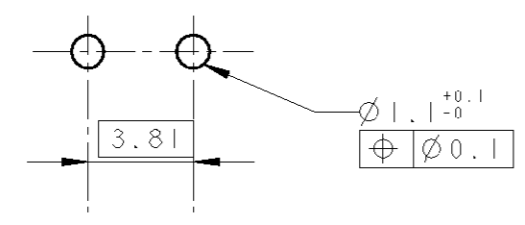
P/N 284392-2 AS SHOWN



- 1. MATERIALS AND FINISH
 HOUSING : PA 6.6, UL 94-V0, COLOR GREEN.
 CLAMP : BRASS, NICKEL PLATED
 TERMINAL : BRASS, TIN PLATED
 CLAMPING SCREW : M3, BRASS, NICKEL PLATED
- 2. SUITABLE FOR 1.6-2.4 mm. PCB BOARD THICKNESS.
- 3. END-TO-END STACKABLE W/INTERLOCK WITHOUT LOSS OF CENTERLINE SPACING
- 4. WIRE SIZE RANGE
 14 - 30 AWG
- 5. NOT CUMULATIVE TOLERANCE

DIM "A"	NO. OF POS	PART NUMBER
95.25	25	2-284392-5
91.44	24	2-284392-4
87.63	23	2-284392-3
83.82	22	2-284392-2
80.01	21	2-284392-1
76.20	20	2-284392-0
72.39	19	1-284392-9
68.58	18	1-284392-8
64.77	17	1-284392-7
60.96	16	1-284392-6
57.15	15	1-284392-5
53.34	14	1-284392-4
49.53	13	1-284392-3
45.72	12	1-284392-2
41.91	11	1-284392-1
38.10	10	1-284392-0
34.29	9	284392-9
30.48	8	284392-8
26.67	7	284392-7
22.86	6	284392-6
19.05	5	284392-5
15.24	4	284392-4
11.43	3	284392-3
7.62	2	284392-2

RECOMMENDED PCB BOARD LAYOUT



DIMENSIONS: mm 		TOLERANCES UNLESS OTHERWISE SPECIFIED: 0 PLC ±. 1 PLC ±.3 2 PLC ±.25 3 PLC ±. 4 PLC ±. ANGLES ±.2		DWN 01FEB2002 E. ZANOLINI CHR 01FEB2002 E. ZANOLINI APVD 01FEB2002 D. BIEVENOUR PRODUCT SPEC 108-20166 APPLICATION SPEC 114-20079 WEIGHT -		TE Connectivity NAME TERMINAL BLOCK, PCB MOUNT, STRAIGHT SIDE ENTRY WIRE, STACKING W/ INTERLOCK, 3.81mm PITCH	
MATERIAL		FINISH		CUSTOMER DRAWING		SIZE A3 CAGE CODE 00779 DRAWING NO C=284392 RESTRICTED TO -	
				SCALE 4:1 SHEET 1 OF 1 REV B1			