



Chipsmall Limited consists of a professional team with an average of over 10 year of expertise in the distribution of electronic components. Based in Hongkong, we have already established firm and mutual-benefit business relationships with customers from,Europe,America and south Asia,supplying obsolete and hard-to-find components to meet their specific needs.

With the principle of “Quality Parts,Customers Priority,Honest Operation,and Considerate Service”,our business mainly focus on the distribution of electronic components. Line cards we deal with include Microchip,ALPS,ROHM,Xilinx,Pulse,ON,Everlight and Freescale. Main products comprise IC,Modules,Potentiometer,IC Socket,Relay,Connector.Our parts cover such applications as commercial,industrial, and automotives areas.

We are looking forward to setting up business relationship with you and hope to provide you with the best service and solution. Let us make a better world for our industry!



## Contact us

Tel: +86-755-8981 8866 Fax: +86-755-8427 6832

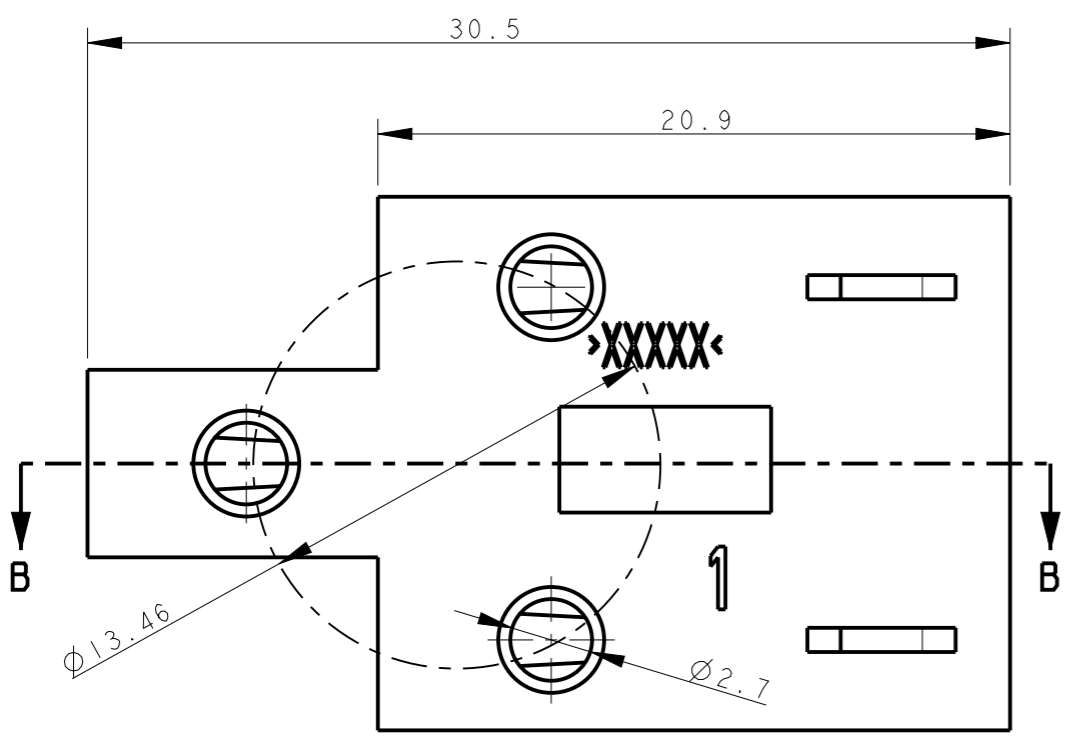
Email & Skype: info@chipsmall.com Web: www.chipsmall.com

Address: A1208, Overseas Decoration Building, #122 Zhenhua RD., Futian, Shenzhen, China

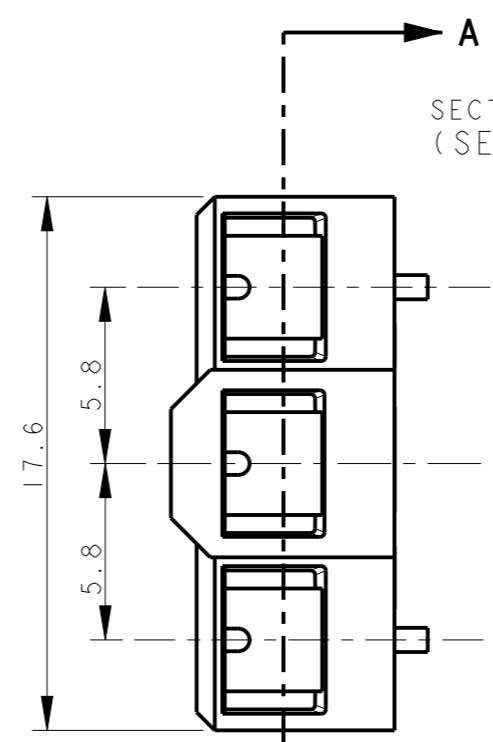


THIS DRAWING IS UNPUBLISHED. RELEASED FOR PUBLICATION  
 © COPYRIGHT 19 ALL RIGHTS RESERVED.

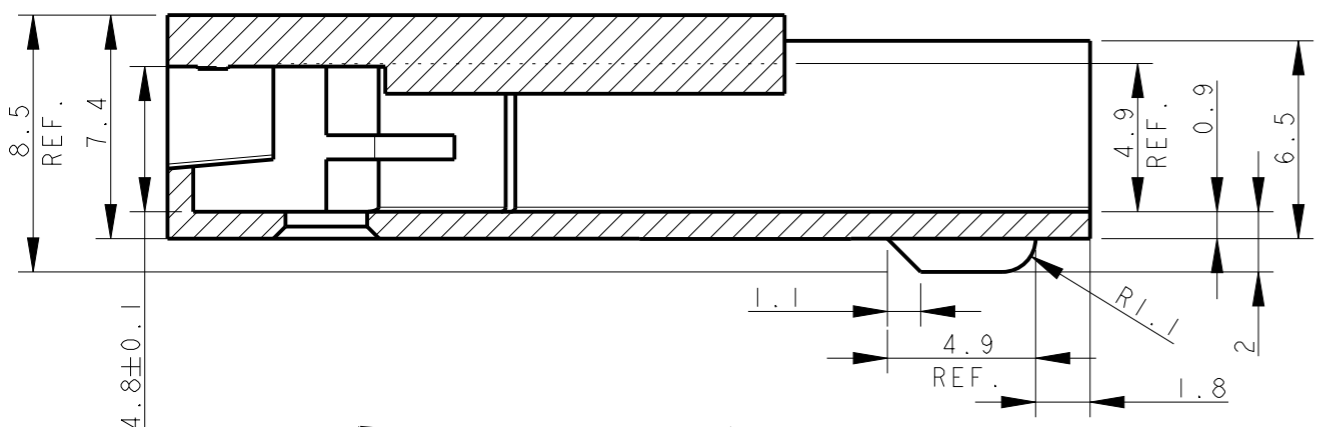
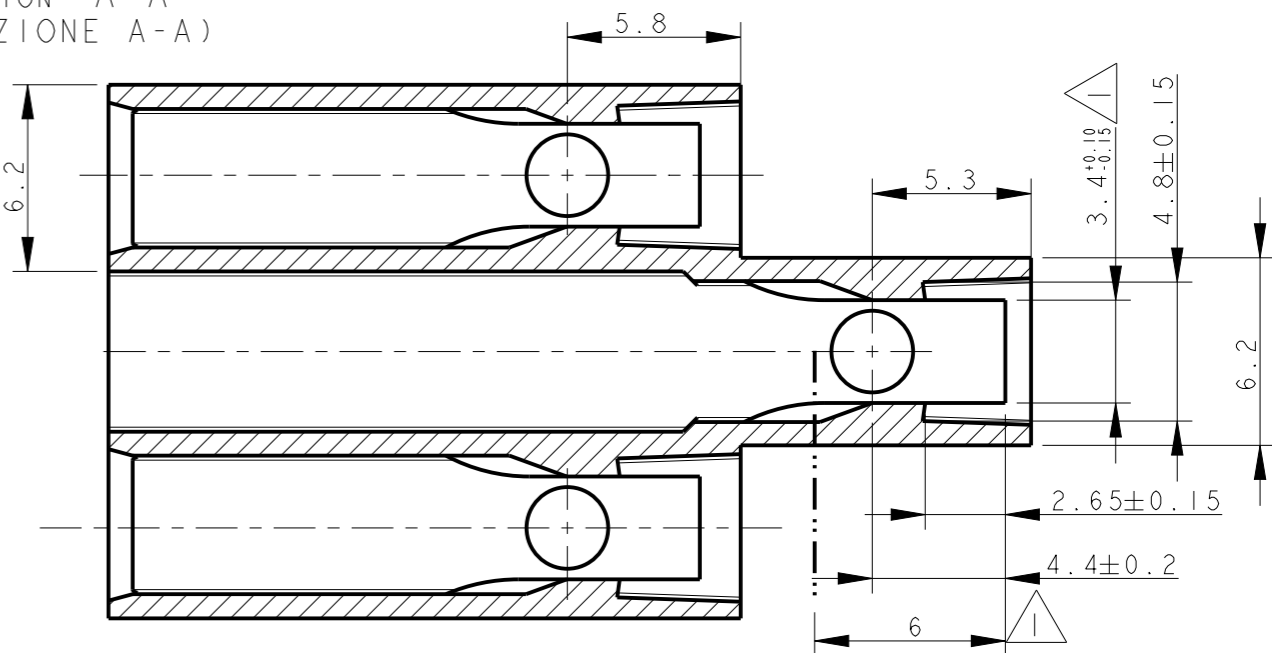
LOC	DIST	REVISIONS			
P	LTR	DESCRIPTION	DATE	DWN	APVD
		C2 NEW PN 9-284406-1 ADDED	29MAY2011	DMK	RRP
		C3 REVISED AS PER ECR-13-019554	24DEC2013	MKD	RRP
		C4 REVISED AS PER ECR-14-008454	06JUN2014	MKD	RRP



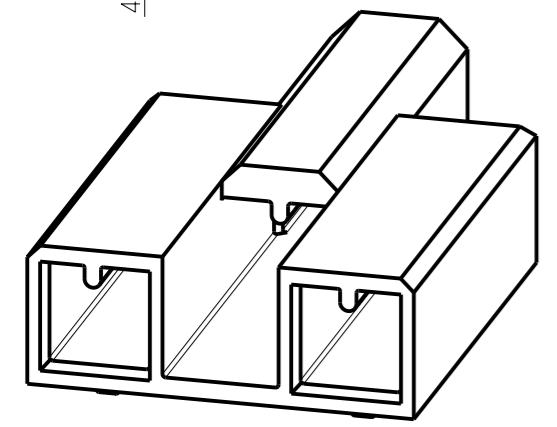
SECTION B-B  
(SEZIONE B-B)



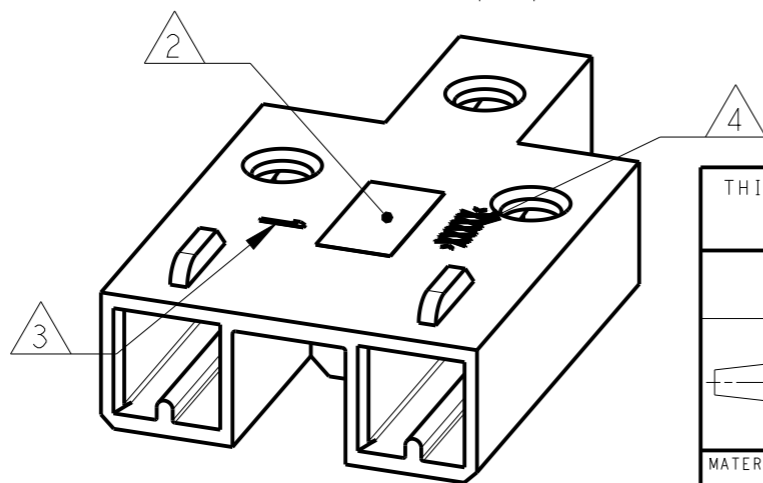
SECTION A-A  
(SEZIONE A-A)



- 1 3.4 DIM. MUST BE GUARANTEE FOR 6mm AS SHOWN,
- 2 LOCATION FOR TE LOGO
- 3 MOULD CAVITY ID. CODE
- 4 MATERIAL ID. CODE
- 5) HOUSING AS SHOWN IS SUITABLE FOR CONTACT P/N 284633-1
- 6 MATERIAL PA6 15%GF, GWT(Glow Wire Test) 750° C WITHOUT FLAME ACCORDING TO IEC-60695-2-11.
- 7 PRELIMINARY PART- NOT YET RELEASED FOR PRODUCTION



SCALE 3:1  
(SCALA 3:1)



SCALE 3:1  
(SCALA 3:1)

NATURAL	PBT GLASSFIBRE FILLED	284406-3
NATURAL	PBT GLASSFIBRE FILLED	284406-2 7
NATURAL	PA6 GF15% 6	9-284406-1 7
NATURAL	PBT 30% CARICATO VETRO (PBT GLASSFIBRE FILLED)	284406-1
<b>COLOUR</b> (COLORE)	<b>MATERIAL</b> (MATERIALE)	<b>PART NO</b>

THIS DRAWING IS A CONTROLLED DOCUMENT.		DWN	C. CORDOLA	16SEPT.99
DIMENSIONS: mm		CHK	C. CORDOLA	16SEPT.99
TOLERANCES UNLESS OTHERWISE SPECIFIED:		APVD	G. TURCO	16SEPT.99
0 PLC	± 0.5	PRODUCT SPEC	108-20033	
1 PLC	± 0.3	APPLICATION SPEC	-	
2 PLC	± 0.15	WEIGHT	-	
3 PLC	± -	CUSTOMER DRAWING	-	
4 PLC	± -			
ANGLES	± 2'			
MATERIAL	See table (vedi tabella)			
FINISH	-			

<b>STE</b> TE Connectivity			
NAME CLUSTER BLOCK REVERSE HOUSING .090 DIA			
SIZE	CAGE CODE	DRAWING NO	RESTRICTED TO
A3		C-284406	-
SCALE 4:1		SHEET 1 OF 1	REV C4