



Chipsmall Limited consists of a professional team with an average of over 10 year of expertise in the distribution of electronic components. Based in Hongkong, we have already established firm and mutual-benefit business relationships with customers from,Europe,America and south Asia,supplying obsolete and hard-to-find components to meet their specific needs.

With the principle of “Quality Parts,Customers Priority,Honest Operation,and Considerate Service”,our business mainly focus on the distribution of electronic components. Line cards we deal with include Microchip,ALPS,ROHM,Xilinx,Pulse,ON,Everlight and Freescale. Main products comprise IC,Modules,Potentiometer,IC Socket,Relay,Connector.Our parts cover such applications as commercial,industrial, and automotives areas.

We are looking forward to setting up business relationship with you and hope to provide you with the best service and solution. Let us make a better world for our industry!



Contact us

Tel: +86-755-8981 8866 Fax: +86-755-8427 6832

Email & Skype: info@chipsmall.com Web: www.chipsmall.com

Address: A1208, Overseas Decoration Building, #122 Zhenhua RD., Futian, Shenzhen, China



4

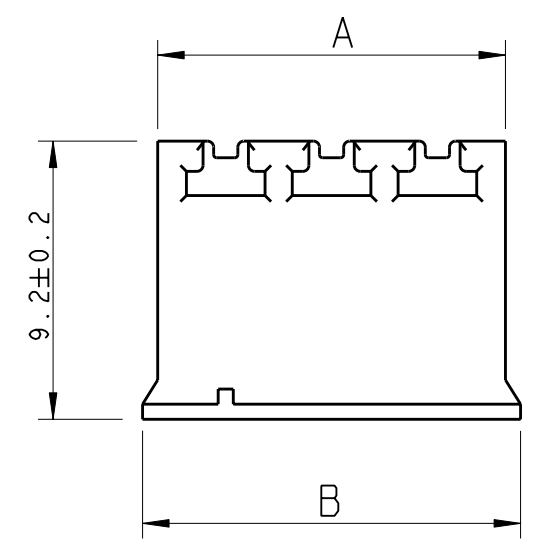
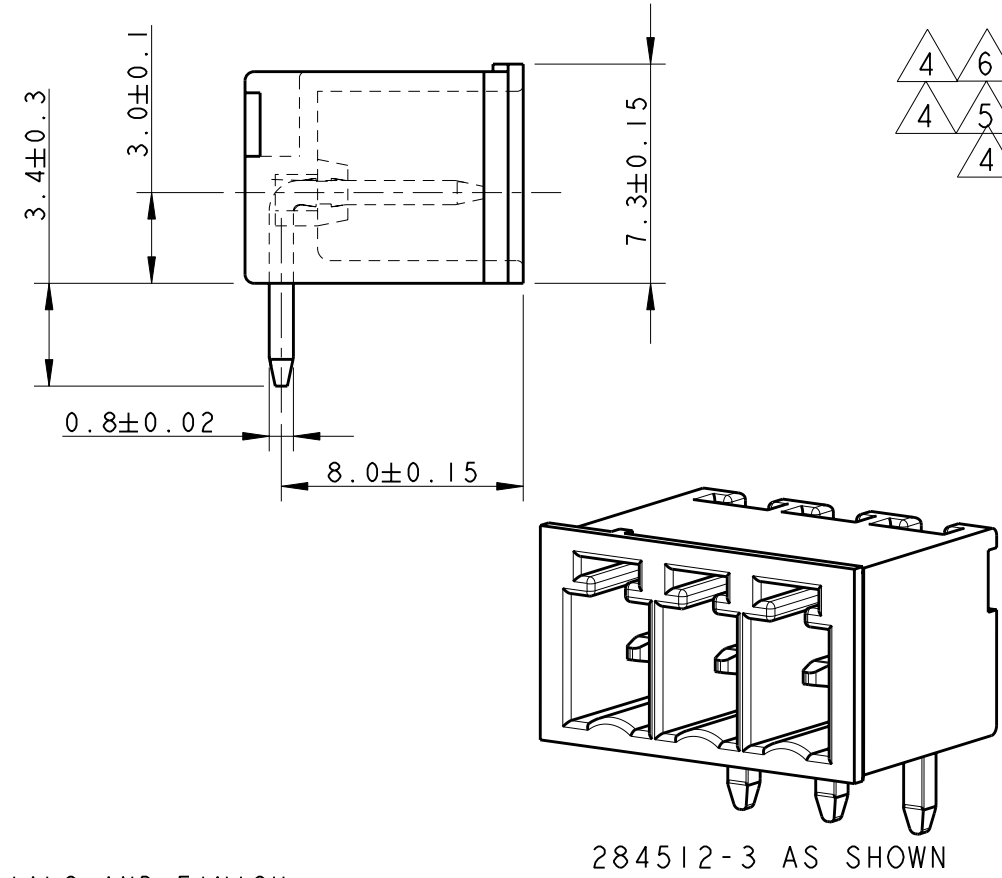
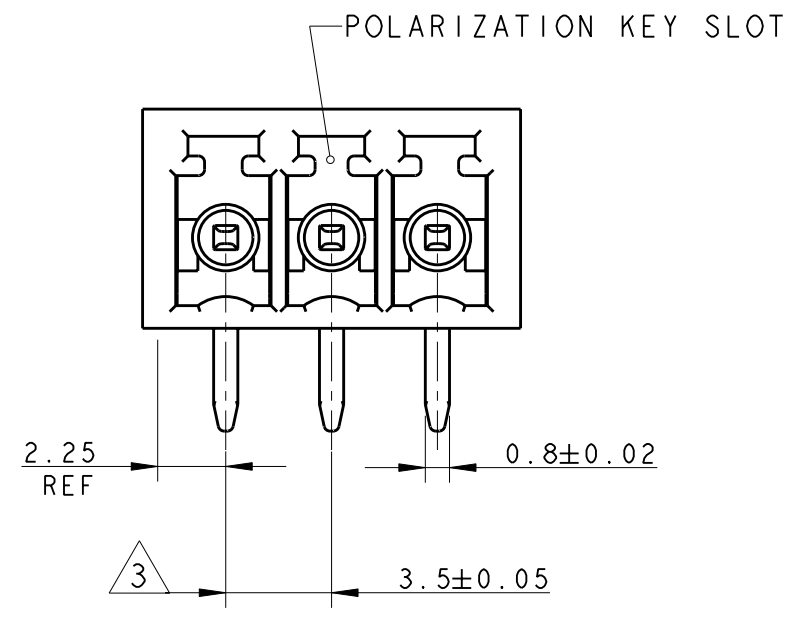
3

2

1

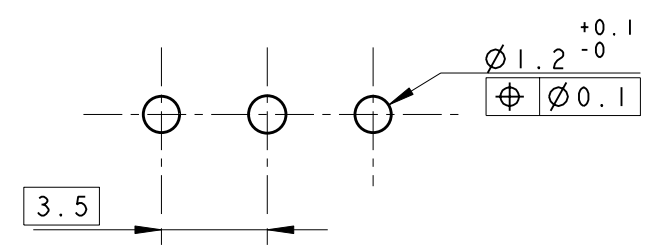
THIS DRAWING IS UNPUBLISHED. RELEASED FOR PUBLICATION 20
 © COPYRIGHT 20 BY - ALL RIGHTS RESERVED.

LOC	DIST	REVISIONS			
P	LTR	DESCRIPTION	DATE	DWN	APVD
FT	0	E3	REVISED PER ECO-11-004587	11MAR2011	RK HMR



- 1 MATERIALS AND FINISH
HOUSING : PA 6.6, UL 94-V0, COLOR GREEN
TERMINAL : PHOSPHOR BRONZE, PLATING: SEE TABLE.
- 2. SUITABLE FOR 1.6-2.4 mm. PC BOARD THICKNESS
- 3 NOT CUMULATIVE TOLERANCE
- 4 PRELIMINARY - NOT FOR PRODUCTION.
- 5 SPECIAL CODING LOCATED AT POSITION 2.
PART TO BE MATED WITH 2-284506-9.
- 6 SPECIAL CODING LOCATED AT POSITION 1 AND 2.
PART TO BE MATED WITH 3-284506-0.

LOC	DIST	DESCRIPTION	DATE	DWN	APVD	
4	6	TIN	12.5	11.5	3	3-284512-9
4	5	TIN	12.5	11.5	3	3-284512-8
4	4	GOLD FLASH	26.5	25.5	7	3-284512-6
		0.2 MICRON GOLD	44.0	43.0	12	3-284512-5
		TIN	16.0	15.0	4	3-284512-4
		TIN	12.5	11.5	3	3-284512-3
		TIN	89.5	88.5	25	2-284512-5
		TIN	86.0	85.0	24	2-284512-4
		TIN	82.5	81.5	23	2-284512-3
		TIN	79.0	78.0	22	2-284512-2
		TIN	75.5	74.5	21	2-284512-1
		TIN	72.0	71.0	20	2-284512-0
		TIN	68.5	67.5	19	1-284512-9
		TIN	65.0	64.0	18	1-284512-8
		TIN	61.5	60.5	17	1-284512-7
		TIN	58.0	57.0	16	1-284512-6
		TIN	54.5	53.5	15	1-284512-5
		TIN	51.0	50.0	14	1-284512-4
		TIN	47.5	46.5	13	1-284512-3
		TIN	44.0	43.0	12	1-284512-2
		TIN	40.5	39.5	11	1-284512-1
		TIN	37.0	36.0	10	1-284512-0
		TIN	33.5	32.5	9	284512-9
		TIN	30.0	29.0	8	284512-8
		TIN	26.5	25.5	7	284512-7
		TIN	23.0	22.0	6	284512-6
		TIN	19.5	18.5	5	284512-5
		TIN	16.0	15.0	4	284512-4
		TIN	12.5	11.5	3	284512-3
		TIN	9.0	8.0	2	284512-2
TERMINAL PLATING		B	A	NO OF POSN	PART NUMBER	



THIS DRAWING IS A CONTROLLED DOCUMENT.

DIMENSIONS: mm	TOLERANCES UNLESS OTHERWISE SPECIFIED:	DWN E. ZANOLINI 06FEB2002	TE Connectivity TERMINAL BLOCK, HEADER ASSEMBLY 90 DEGREE, CLOSED ENDS 3.5mm PITCH
	0 PLC ±.3	CHK E. ZANOLINI 06FEB2002	
	1 PLC ±.25	APVD D. BIEVENOUR 06FEB2002	
	2 PLC ±.25	PRODUCT SPEC 108-20166	
	3 PLC ±.	APPLICATION SPEC 114-20079	NAME
	4 PLC ±.	WEIGHT -	SIZE A3
	ANGLES ±2	CUSTOMER DRAWING	CAGE CODE 00779
MATERIAL 1	FINISH 1	SCALE 4:1	DRAWING NO C-284512
		SHEET 1 OF 1	RESTRICTED TO -
		REV E3	