



Chipsmall Limited consists of a professional team with an average of over 10 year of expertise in the distribution of electronic components. Based in Hongkong, we have already established firm and mutual-benefit business relationships with customers from,Europe,America and south Asia,supplying obsolete and hard-to-find components to meet their specific needs.

With the principle of “Quality Parts,Customers Priority,Honest Operation,and Considerate Service”,our business mainly focus on the distribution of electronic components. Line cards we deal with include Microchip,ALPS,ROHM,Xilinx,Pulse,ON,Everlight and Freescale. Main products comprise IC,Modules,Potentiometer,IC Socket,Relay,Connector.Our parts cover such applications as commercial,industrial, and automotives areas.

We are looking forward to setting up business relationship with you and hope to provide you with the best service and solution. Let us make a better world for our industry!



Contact us

Tel: +86-755-8981 8866 Fax: +86-755-8427 6832

Email & Skype: info@chipsmall.com Web: www.chipsmall.com

Address: A1208, Overseas Decoration Building, #122 Zhenhua RD., Futian, Shenzhen, China



THIS DRAWING IS UNPUBLISHED.

RELEASED FOR PUBLICATION

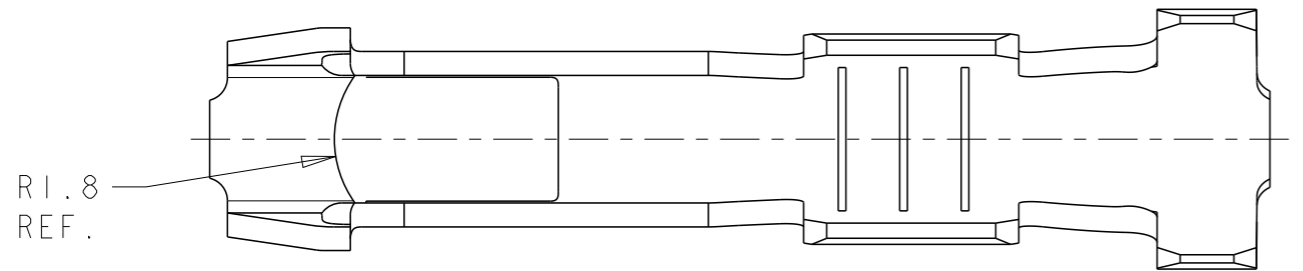
© COPYRIGHT

ALL RIGHTS RESERVED.

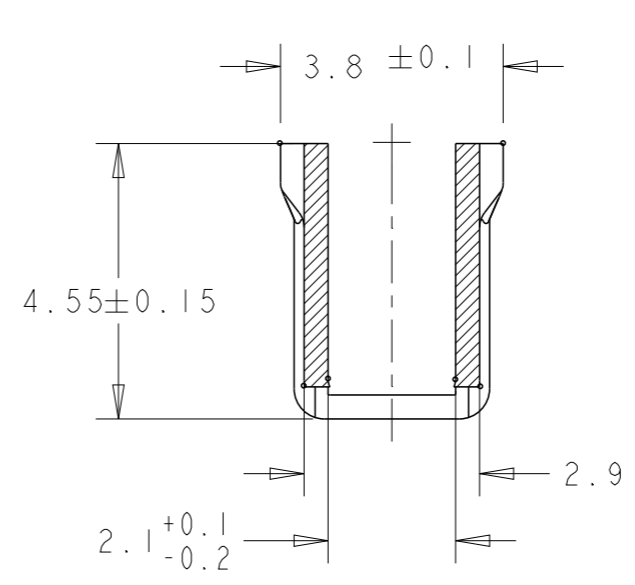
LOC DIST

REVISIONS

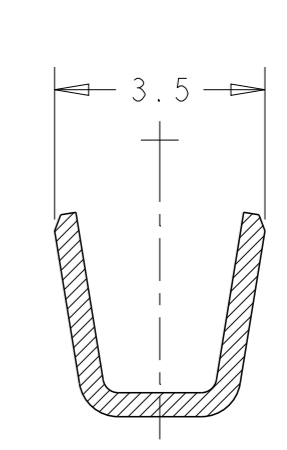
P	LTR	DESCRIPTION	DATE	DWN	APVD
	A1	REVISED FOR ET00-0081-01	07MAR01	H.Y.	C.T.
	B	REVISED AS PER ECR-13-005565	03SEP2013	MKD	RRP



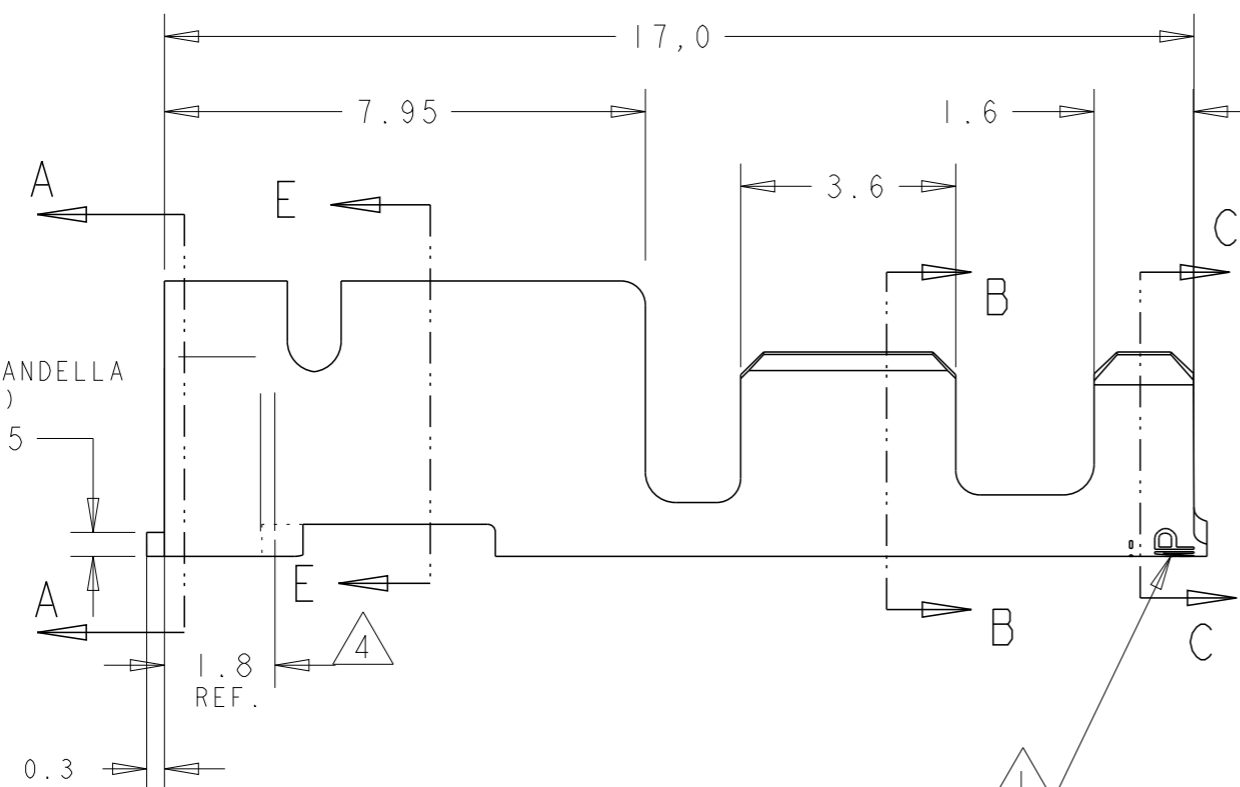
SECTION E-E



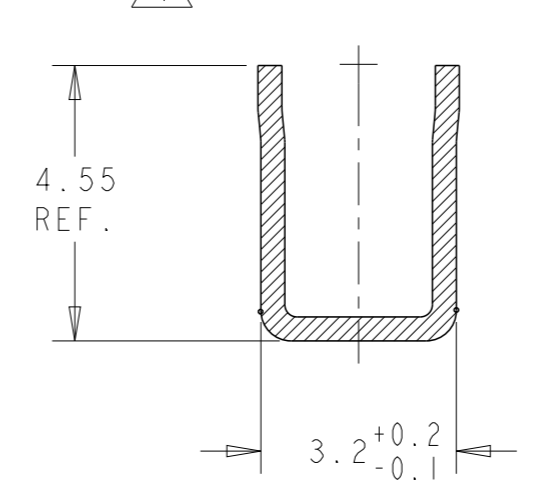
SECTION B-B



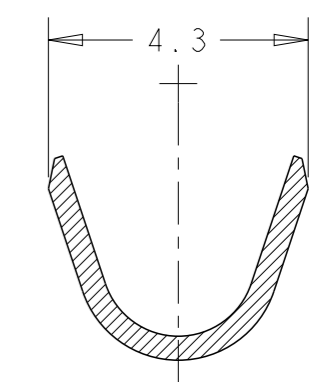
SPESORE BANDELLA (MAT. THK.) .040 ± 0.025



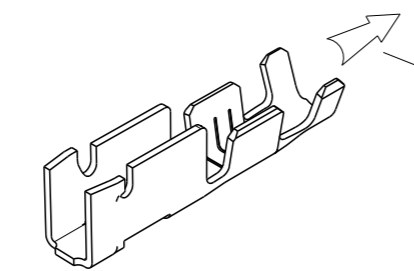
SECTION A-A



SECTION C-C



DIM. MASSIMA DI TAGLIO (MAX. DUE TO APPLICATION CUT-OFF)



SENSO DI USCITA DEL CONTATTO DALLA BOBINA (DIRECTION OFF TOP OF REEL)

NOTES:

- 1 TRADE MARK LOCATED AS SHOWN.
- 2) SUPPLIED IN STRIP ON REEL FORNITO IN STRIP SU BOBINA
- 3) CONTACT AS SHOWN IS SUITABLE FOR HSG. TE AMP P/N 284406-1 IL CONTATTO IN OGGETTO E' UTILIZZABILE CON IL CONNETTORE TE AMP P/N 284406-1
- 4) LA SEZIONE E LE RELATIVE DIMENSIONI SONO VALIDE PER UNA LUNGHEZZA DI 1.8mm A PARTIRE DAL FRONTE DEL CONTATTO THIS SECTION AND RELEVANT DIM. ARE APPLICABLE FROM THE FRONT OF THE CONTACT FOR 1.8mm LENGTH

18-16	1.50-2.62	COPPER ALLOY	284633-1
WIRE RANGE (AWG)	INSULATION DIA. RANGE	MATERIAL	PART NO

THIS DRAWING IS A CONTROLLED DOCUMENT.		DWN C.CORDOLA 27LUG2000		TE Connectivity	
DIMENSIONS: mm		CHK G.TURCO 27LUG2000			
		TOLERANCES UNLESS OTHERWISE SPECIFIED:		NAME	
		0 PLC ± .5 1 PLC ± .3 2 PLC ± .3 3 PLC ± 4 PLC ± ANGLES ± 2°		SPECIAL REC. CONTACT CLUSTER FOR PIN 2.29 dia .090 DIA	
MATERIAL SEE TABLE		FINISH STAGNATO TIN PLATED		APPLICATION SPEC 114-20107	
		WEIGHT		SIZE A3	CAGE CODE C-
		CUSTOMER DRAWING		DRAWING NO 284633	RESTRICTED TO
		SCALE 8:1		SHEET 1	OF 1
				REV B	