



Chipsmall Limited consists of a professional team with an average of over 10 year of expertise in the distribution of electronic components. Based in Hongkong, we have already established firm and mutual-benefit business relationships with customers from,Europe,America and south Asia,supplying obsolete and hard-to-find components to meet their specific needs.

With the principle of “Quality Parts,Customers Priority,Honest Operation,and Considerate Service”,our business mainly focus on the distribution of electronic components. Line cards we deal with include Microchip,ALPS,ROHM,Xilinx,Pulse,ON,Everlight and Freescale. Main products comprise IC,Modules,Potentiometer,IC Socket,Relay,Connector.Our parts cover such applications as commercial,industrial, and automotives areas.

We are looking forward to setting up business relationship with you and hope to provide you with the best service and solution. Let us make a better world for our industry!



Contact us

Tel: +86-755-8981 8866 Fax: +86-755-8427 6832

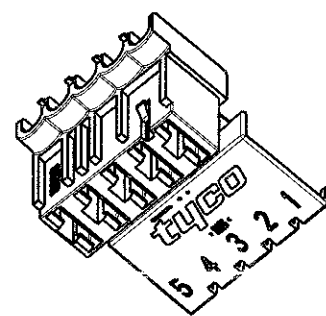
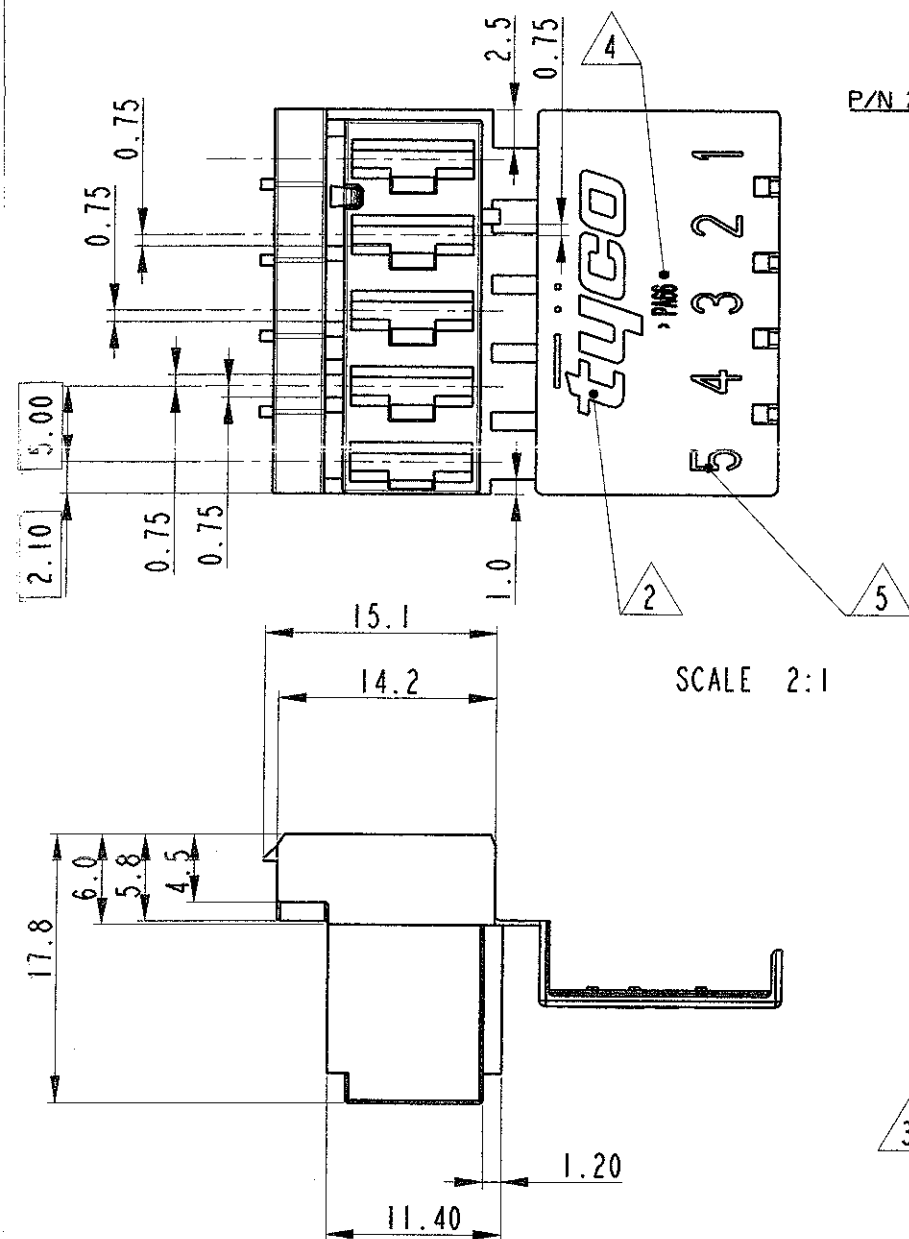
Email & Skype: info@chipsmall.com Web: www.chipsmall.com

Address: A1208, Overseas Decoration Building, #122 Zhenhua RD., Futian, Shenzhen, China

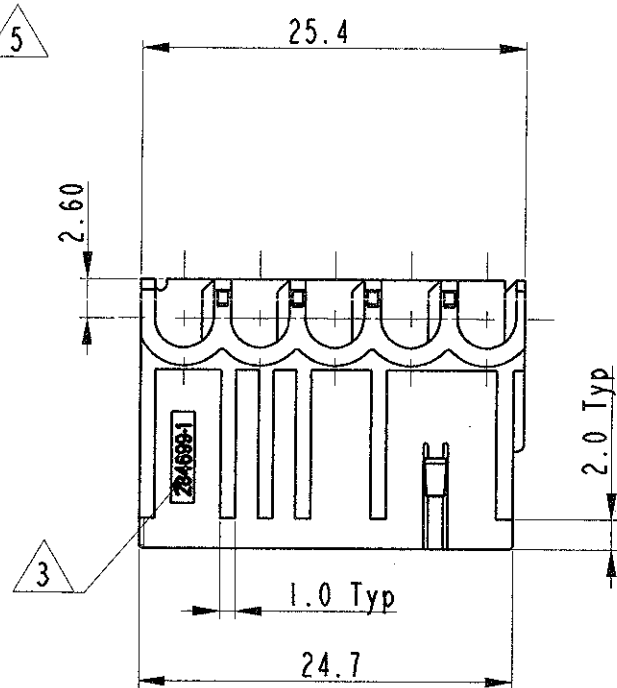


P	LTR	DESCRIPTION	DATE	DWN	APVD
0		FIRST ISSUE	06MAR2001	C.C.	D.M.
A		FIRST ISSUE NOT YET RELEASED FOR PRODUCTION FOR ET00-0114-01	03MAY2001	D.M.	G.T.
B		UPDATING TO PRODUCT DWG. FOR ET00-0225-01	14FEB2002	C.C.	G.T.
C		REVISED FOR ET00-0039-02	08MAR2002	C.C.	G.T.
D		RELEASE FOR PRODUCTION ET00-0167-03	23SEPT2003	A.V.	G.T.

P/N 284699-1 AS SHOWN IN NATURAL WHITE COLOR



SCALE 1:1



SCALE 2:1

DETAIL FOR POLARIZATION	DETAIL FOR POLARIZATION	DETAIL FOR POLARIZATION
PN 284699-2 AS SHOWN	PN 284699-3 AS SHOWN	PN 284699-4 AS SHOWN
Colour: GREEN RAL 6029	Colour: YELLOW RAL 1016	COLOUR: RED RAL 3000

NOTE:

- 1) PROPRIETA' DELLA MATERIA PLASTICA: (PLASTICAL MATERIAL PROPERTIES:)
GLOW WIRE INDEX IEC695-2-1 850 AT 1.6 mm
 - 2) CONNETTORE ADATTO PER TERMINALI TIPO FASTIN-ON .250 SERIES FLAG RECEPTACLE, LOW PROFILE DIS. 284697
CONNECTOR FOR TYCO AMP CONTACT TYPE .250 SERIES FLAG FASTIN-ON REC. LOW PROFILE P/N 284697
- 2 MARCHIO TYCO (MANUFACTURING LOCATION CODE)
3 CODICE IDENTIFICAZIONE PRODOTTO (PART NUMBER)
4 CODICE IDENTIFICAZIONE MATERIA PRIMA (MATERIAL ID. CODE)
5 NUMERO DI VIE PER INSERZIONE CONTATTO POSIZIONATI COME INDICATO (WAY ID. NUMBER AS SHOWN)

NATURAL	NYLON - PA66
COLOUR (COLORE)	MATERIAL (MATERIALE)

<small>THIS DRAWING IS A CONTROLLED DOCUMENT FOR TYCO ELECTRONICS CORPORATION IT IS SUBJECT TO CHANGE AND THE CONTROLLING ENGINEERING ORGANIZATION SHOULD BE CONTACTED FOR THE LATEST REVISION.</small>		DWN C.CORDOLA 06MAR2001 CHK D.MOTTA 06MAR2001 APVD G.TURCO 06MAR2001		Tyco Electronics AMP Italia S.p.a. 10093 Collegno (TO)	
DIMENSIONS:		TOLERANCES UNLESS OTHERWISE SPECIFIED:		NAME 5 POS. LOW PROFILE HSG. RAST 5 FOR FLAG REC. CONTACTS	
		0 PLC ±0.5 1 PLC ±0.2 2 PLC ±0.1 3 PLC ±0.05 4 PLC ± ANGLES ±1		PRODUCT SPEC APPLICATION SPEC	
MATERIAL See table (vedere tabella)		FINISH		WEIGHT A3 00779 C-284699	
		SCALE 2:1		SHEET 1 OF 1 REV D	