



Chipsmall Limited consists of a professional team with an average of over 10 year of expertise in the distribution of electronic components. Based in Hongkong, we have already established firm and mutual-benefit business relationships with customers from,Europe,America and south Asia,supplying obsolete and hard-to-find components to meet their specific needs.

With the principle of “Quality Parts,Customers Priority,Honest Operation,and Considerate Service”,our business mainly focus on the distribution of electronic components. Line cards we deal with include Microchip,ALPS,ROHM,Xilinx,Pulse,ON,Everlight and Freescale. Main products comprise IC,Modules,Potentiometer,IC Socket,Relay,Connector.Our parts cover such applications as commercial,industrial, and automotives areas.

We are looking forward to setting up business relationship with you and hope to provide you with the best service and solution. Let us make a better world for our industry!



## Contact us

Tel: +86-755-8981 8866 Fax: +86-755-8427 6832

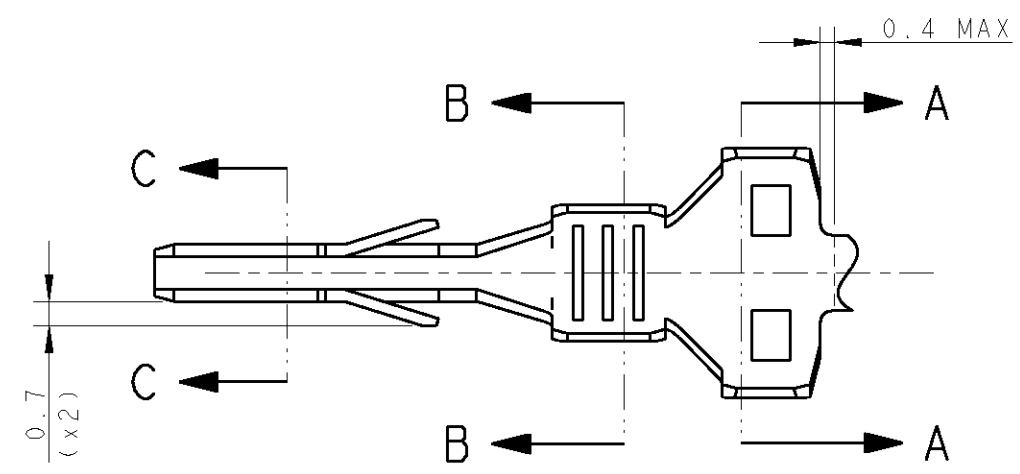
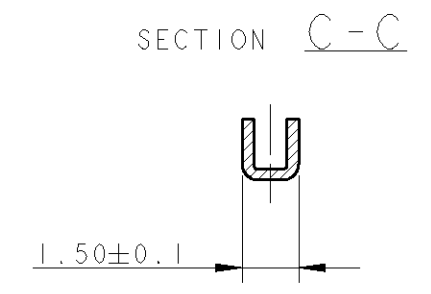
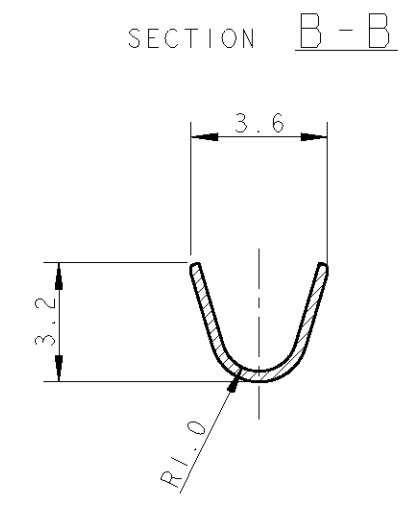
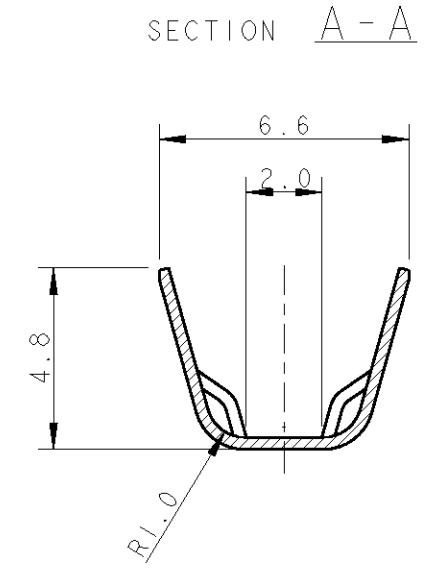
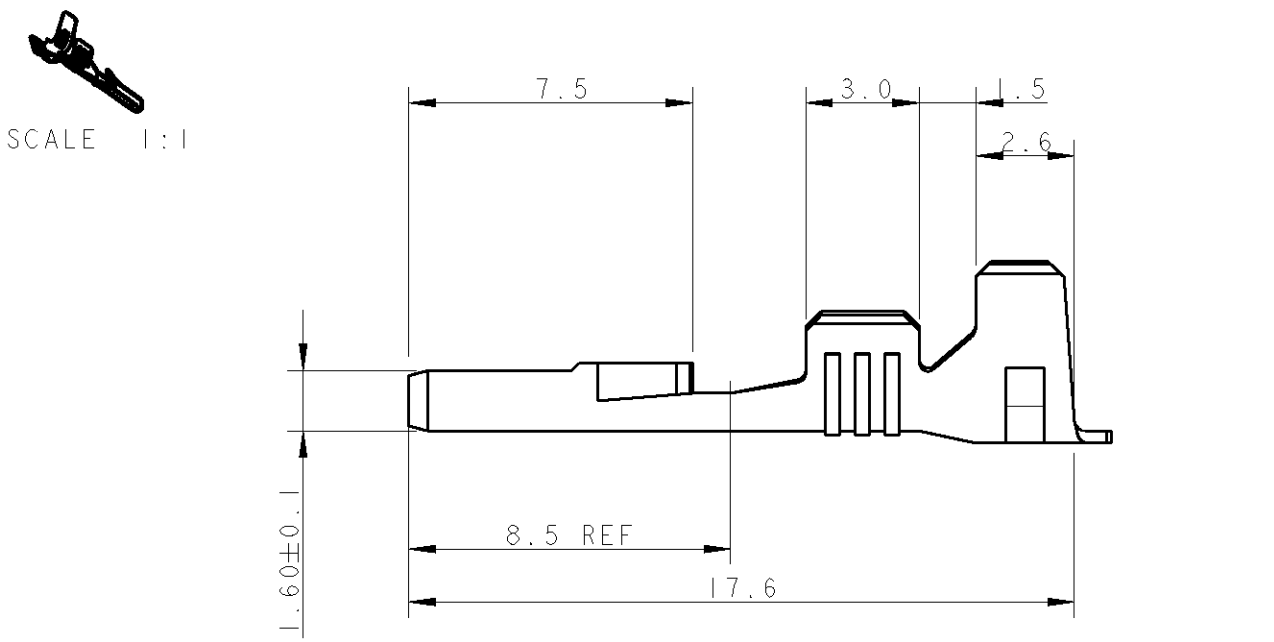
Email & Skype: info@chipsmall.com Web: www.chipsmall.com

Address: A1208, Overseas Decoration Building, #122 Zhenhua RD., Futian, Shenzhen, China

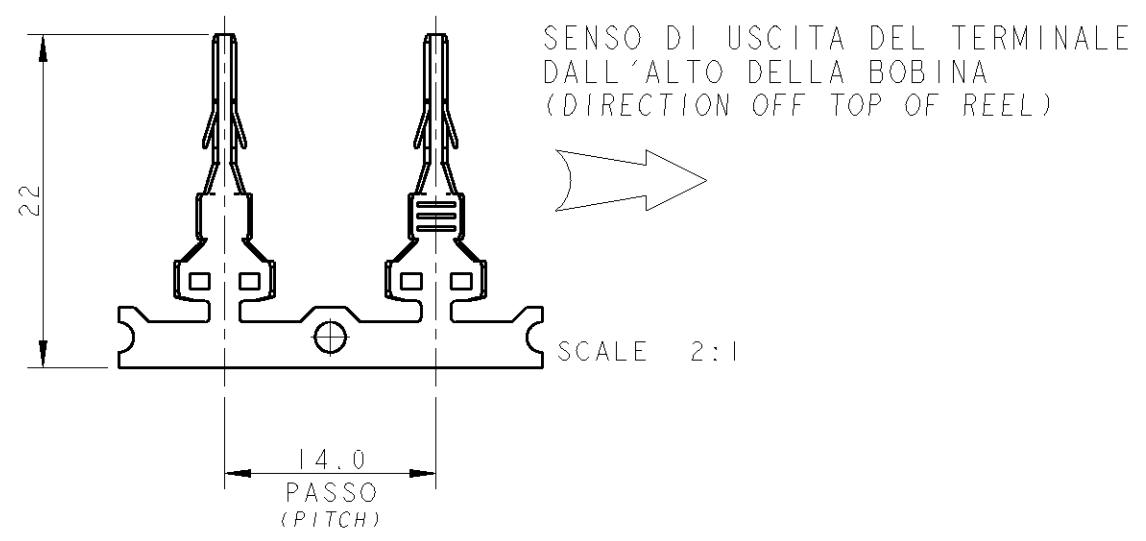


THIS DRAWING IS UNPUBLISHED. RELEASED FOR PUBLICATION 2003  
 © COPYRIGHT 2003 BY TYCO ELECTRONICS CORPORATION. ALL RIGHTS RESERVED.

LOC	DIST	REVISIONS					
		P	LTR	DESCRIPTION	DATE	DWN	APVD
1	-	A		RELEASED FOR PRODUCTION FOR ET00-0195-04	27SEP2004	D.C.	G.T.



- 1 MATERIALE : OTTONE PRE-STAGNATO (MATERIAL : PRE-TINNED BRASS)
  - 2 BOBINATO SU BOBINA DA 24" CON CARTA INTERPOSTA, Q.TA'/REEL 3.000 (REELED ON 24" CARTON REEL WITH INTERLEAVE PAPER STRIP, Q.TY/REEL 3.000)
  - 3 CAVO SINGOLO STANDARD: (STANDARD, ONE WIRE:)  
 0.5 mm<sup>2</sup> ; Ø ISOLANTE (INSULATION Ø) 2.1 mm.  
 0.75 mm<sup>2</sup> ; Ø ISOLANTE (INSULATION Ø) 2.3 mm.
- CAVO DOPPIO STANDARD: (STANDARD, TWO WIRES:)  
 0.75+0.75 mm<sup>2</sup>



P/N 284798-1 COME MOSTRATO (P/N 284798-1 AS SHOWN)

<small>THIS DRAWING IS A CONTROLLED DOCUMENT FOR TYCO ELECTRONICS CORPORATION IT IS SUBJECT TO CHANGE AND THE CONTROLLING ENGINEERING ORGANIZATION SHOULD BE CONTACTED FOR THE LATEST REVISION.</small>		DWN 17DEC2003 <b>D. CHIARELLI</b>		<b>tyco</b> <b>Electronics</b>		tyco Electronics AMP Italia S.p.A. C.so F.lli Cervi, 15 - Collegno (TO)	
DIMENSIONS: mm		TOLERANCES UNLESS OTHERWISE SPECIFIED: 0 PLC ±0,5 1 PLC ±0,3 2 PLC ±0,1 3 PLC ± 4 PLC ± ANGLES ±1°		CHK 17DEC2003 <b>C. TARTARI</b>		NAME <b>CRIMPED TAB CONTACT          P.C.B. INTERFACE</b>	
		MATERIAL		APVD 17DEC2003 <b>G. TURCO</b>		PRODUCT SPEC -	
FINISH		APPLICATION SPEC 114-20115		WEIGHT 0,38g		SIZE <b>A3</b>	
CUSTOMER DRAWING		SCALE 5:1		SHEET 1 OF 1		DRAWING NO <b>C=284798</b>	
						RESTRICTED TO -	
						REV <b>A</b>	