



Chipsmall Limited consists of a professional team with an average of over 10 year of expertise in the distribution of electronic components. Based in Hongkong, we have already established firm and mutual-benefit business relationships with customers from,Europe,America and south Asia,supplying obsolete and hard-to-find components to meet their specific needs.

With the principle of “Quality Parts,Customers Priority,Honest Operation,and Considerate Service”,our business mainly focus on the distribution of electronic components. Line cards we deal with include Microchip,ALPS,ROHM,Xilinx,Pulse,ON,Everlight and Freescale. Main products comprise IC,Modules,Potentiometer,IC Socket,Relay,Connector.Our parts cover such applications as commercial,industrial, and automotives areas.

We are looking forward to setting up business relationship with you and hope to provide you with the best service and solution. Let us make a better world for our industry!



## Contact us

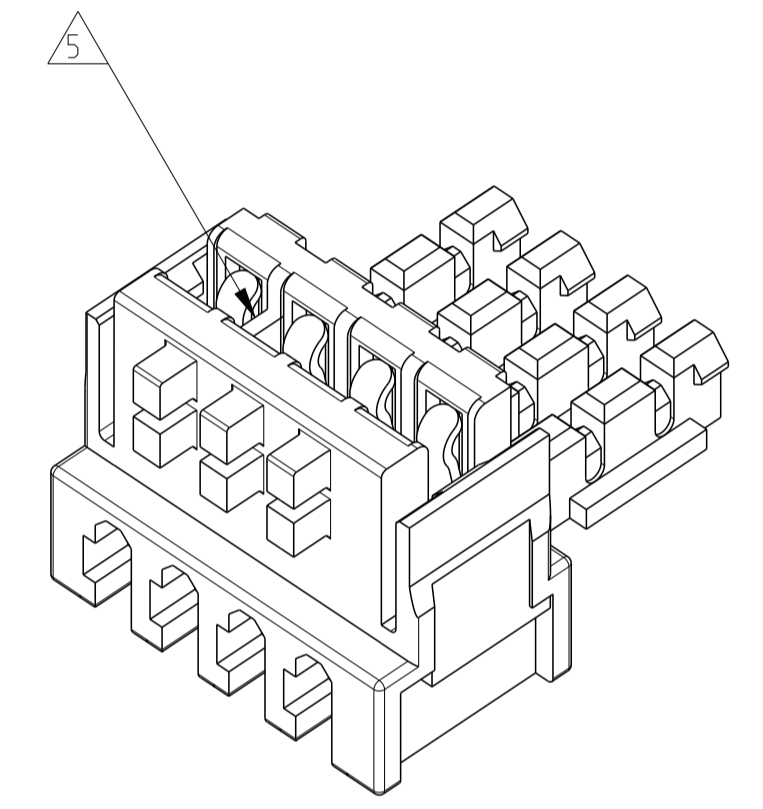
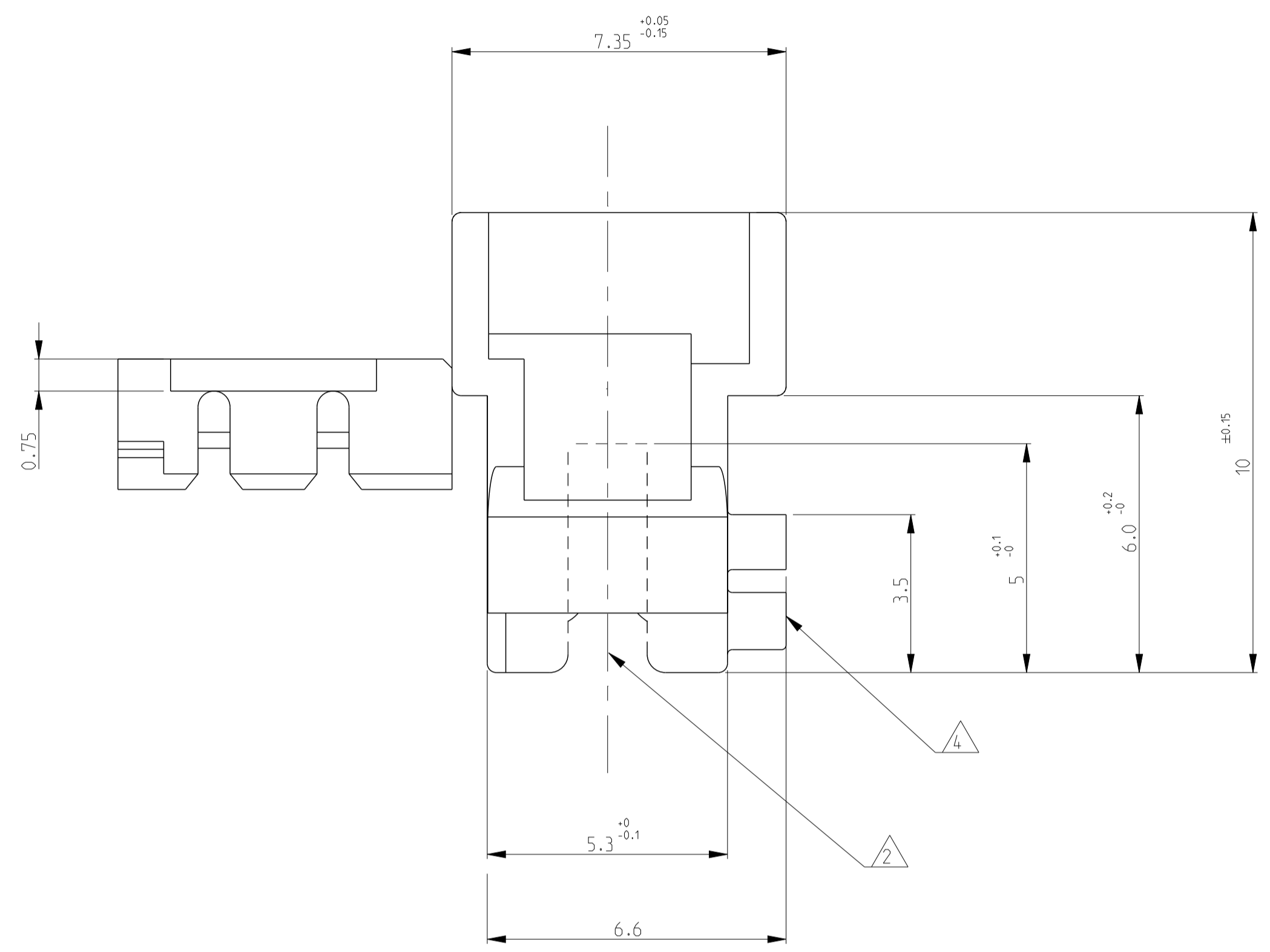
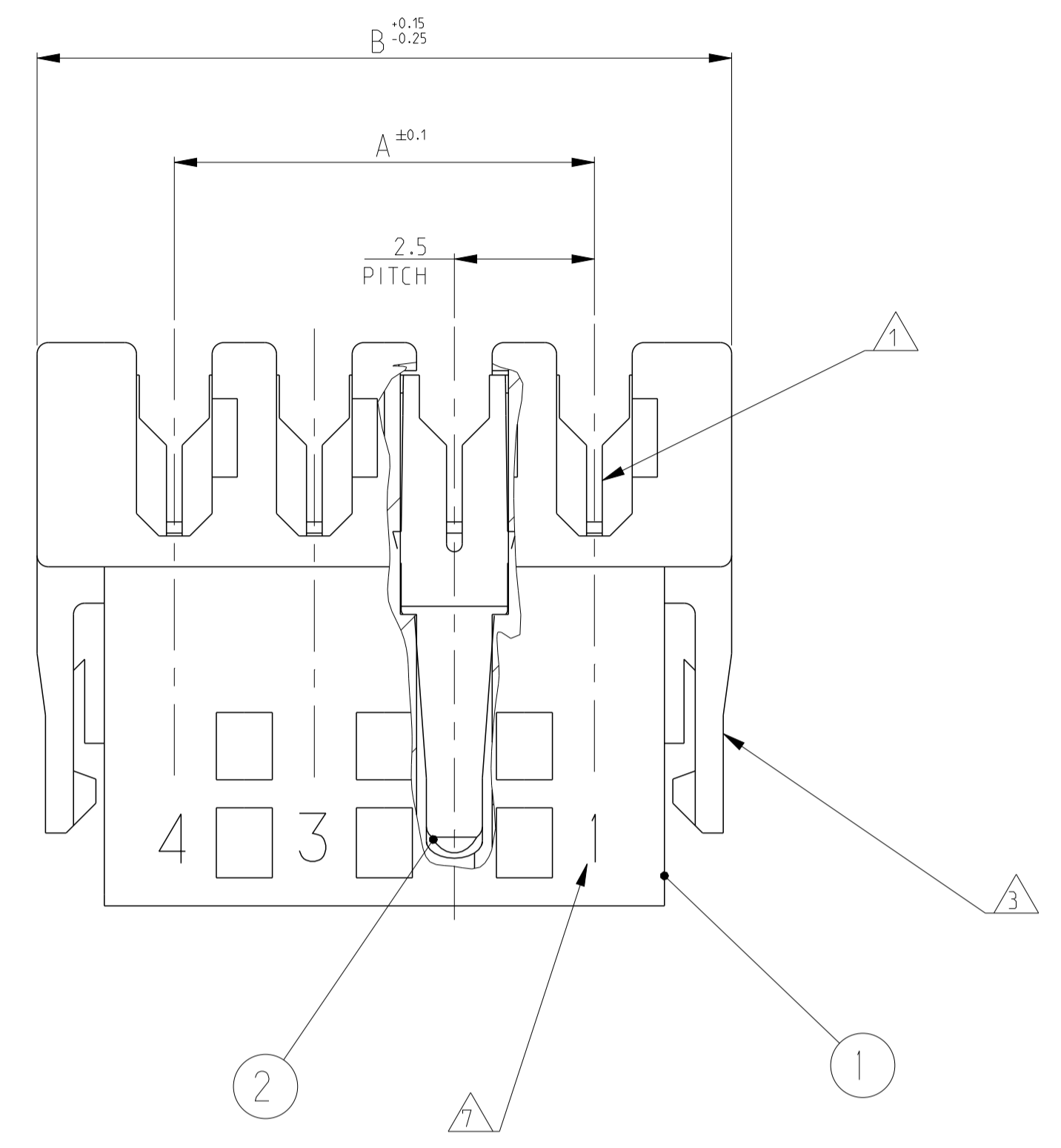
Tel: +86-755-8981 8866 Fax: +86-755-8427 6832

Email & Skype: info@chipsmall.com Web: www.chipsmall.com

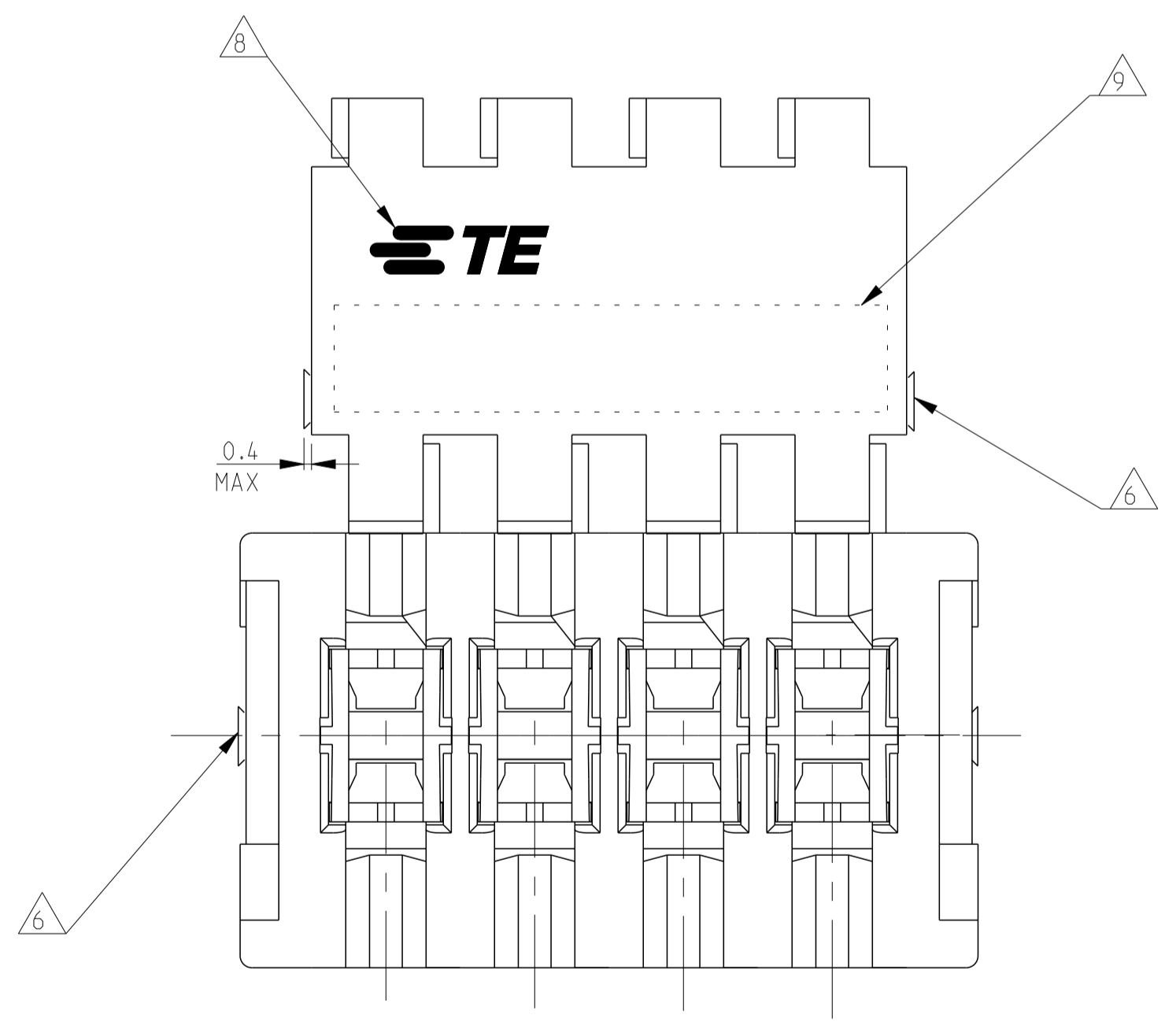
Address: A1208, Overseas Decoration Building, #122 Zhenhua RD., Futian, Shenzhen, China



LOC	DIST	REVISIONS					
		P.	LTN.	DESCRIPTION	DATE	DWN.	APVD.
		A17		REVISED PER ECR-15-012073	13AUG2015	NK	W W
		A18		ECR-15-016952	09DEC2015	KD	RR
		A19		ECR-16-016334	18NOV2016	FV	RR



SCALE 5:1



- 1 WIRE RANGE : STRANDED 0.22-0.35 mm<sup>2</sup> (INS. DIA. 1.30±0.1)
- 2 MATING PART: P.C.B. EDGE, DOUBLE SIDE, THK 1.5 (COPPER CLADDING INCLUDED)
- 3 SIDE LOCKING DEVICE
- 4 KEYING RIBS TO BE REMOVED BY TERMINATION MACHINE
- 5 POLARIZATION RIBS BETWEEN CAVITIES
- 6 CUT OFF DIMENSION DUE TO PRODUCTION PROCESS
- 7 CIRCUIT No. IDENTIFICATION
- 8 TE TRADEMARK (OPTIONAL POSITION)
- 9 TAMPOGRAPHIC COLOUR CODE AREA (P/Ns IDENTIFICATION BEFORE CRIMPING AREA)
- 10 FOR PCB LAYOUT, SEE PAGES 2-3  
FOR CONNECTION VIEW LAYOUT, SEE PAGE 3
- 11 NOT YET RELEASED FOR PRODUCTION
- 12 NOT DEFINED DURING PRELIMINARY STATUS
- 13 PBT GF
- 14 PBT GF, GWEPT 750 NO-FLAME, NATURAL

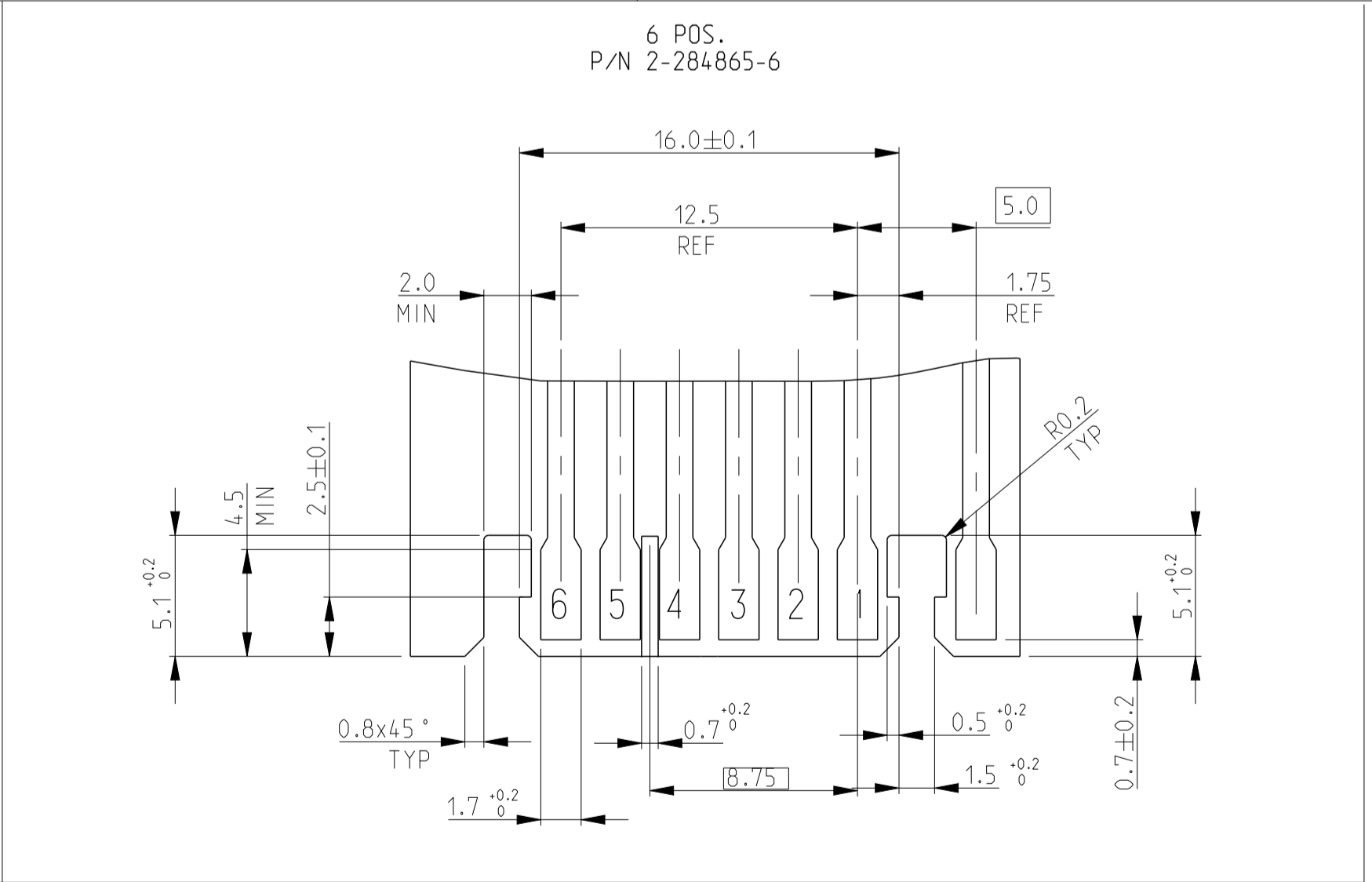
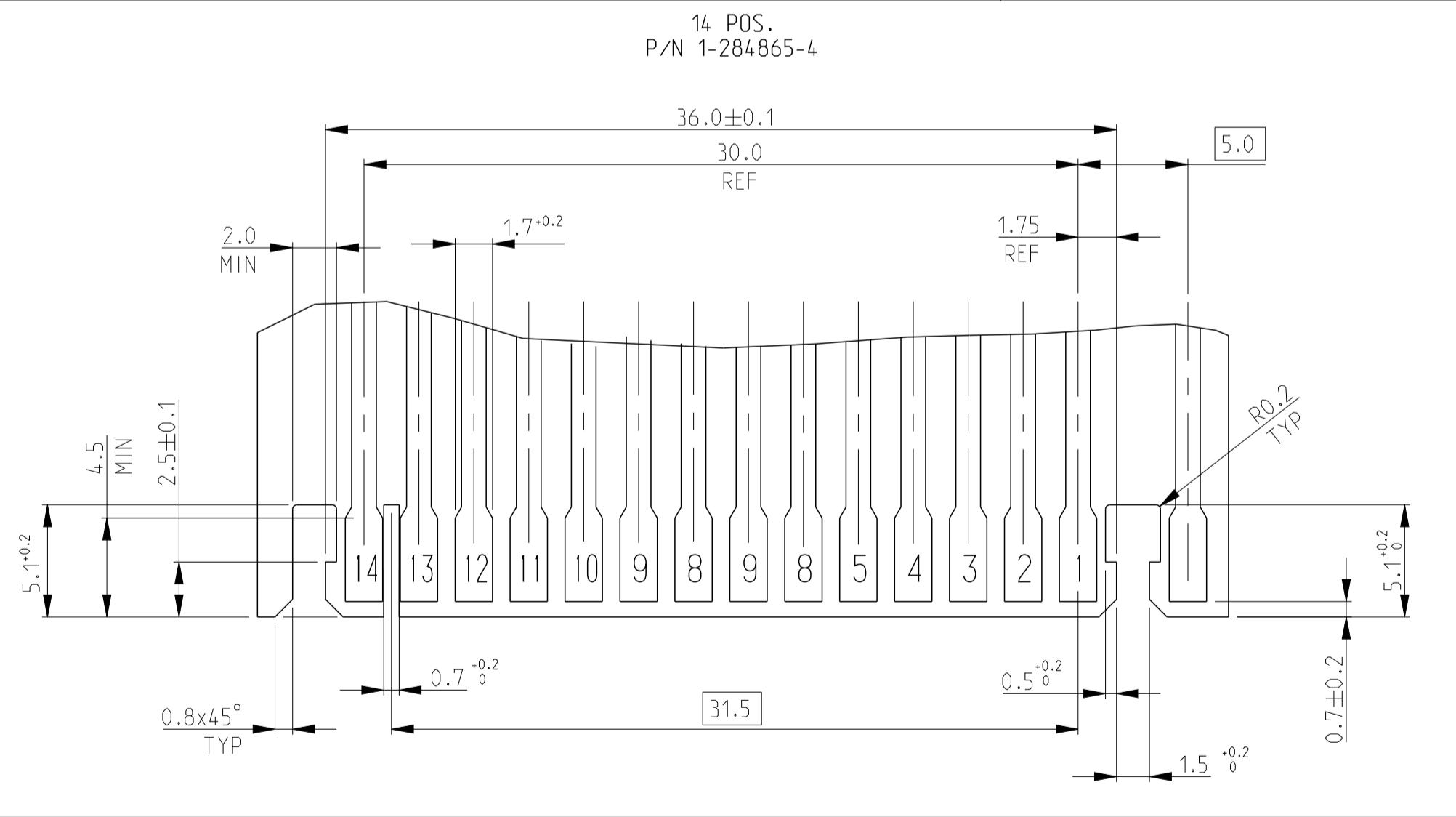
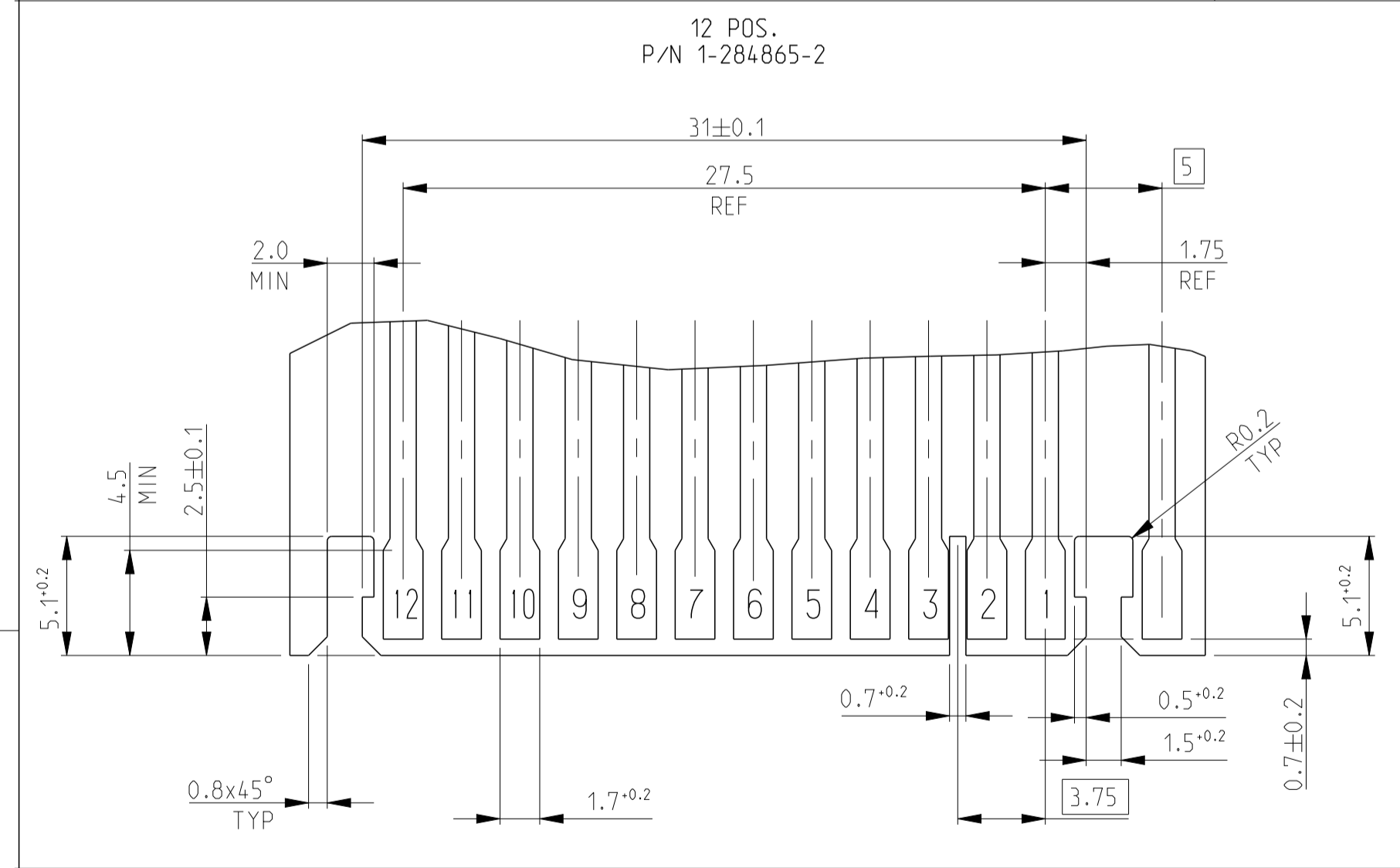
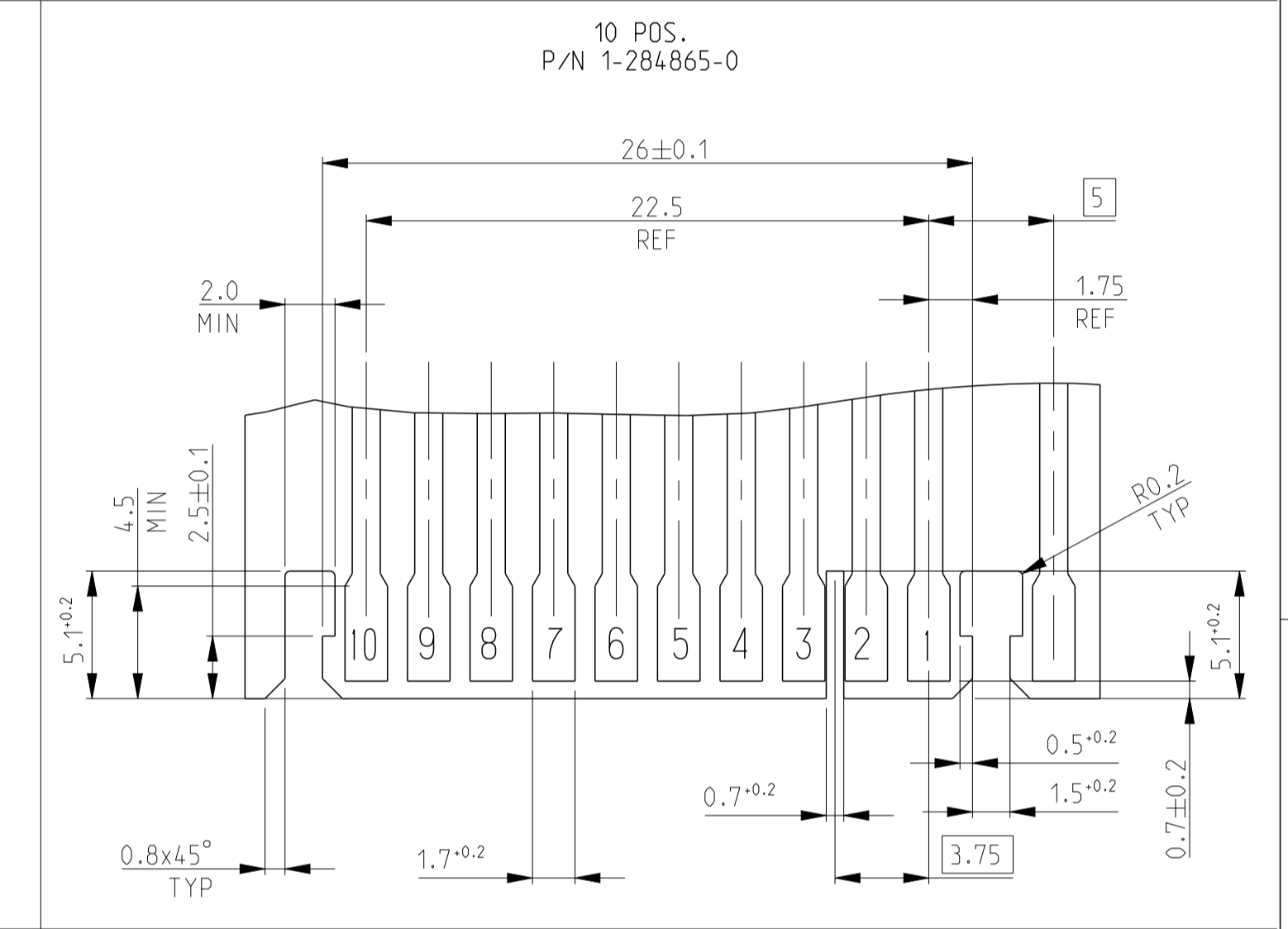
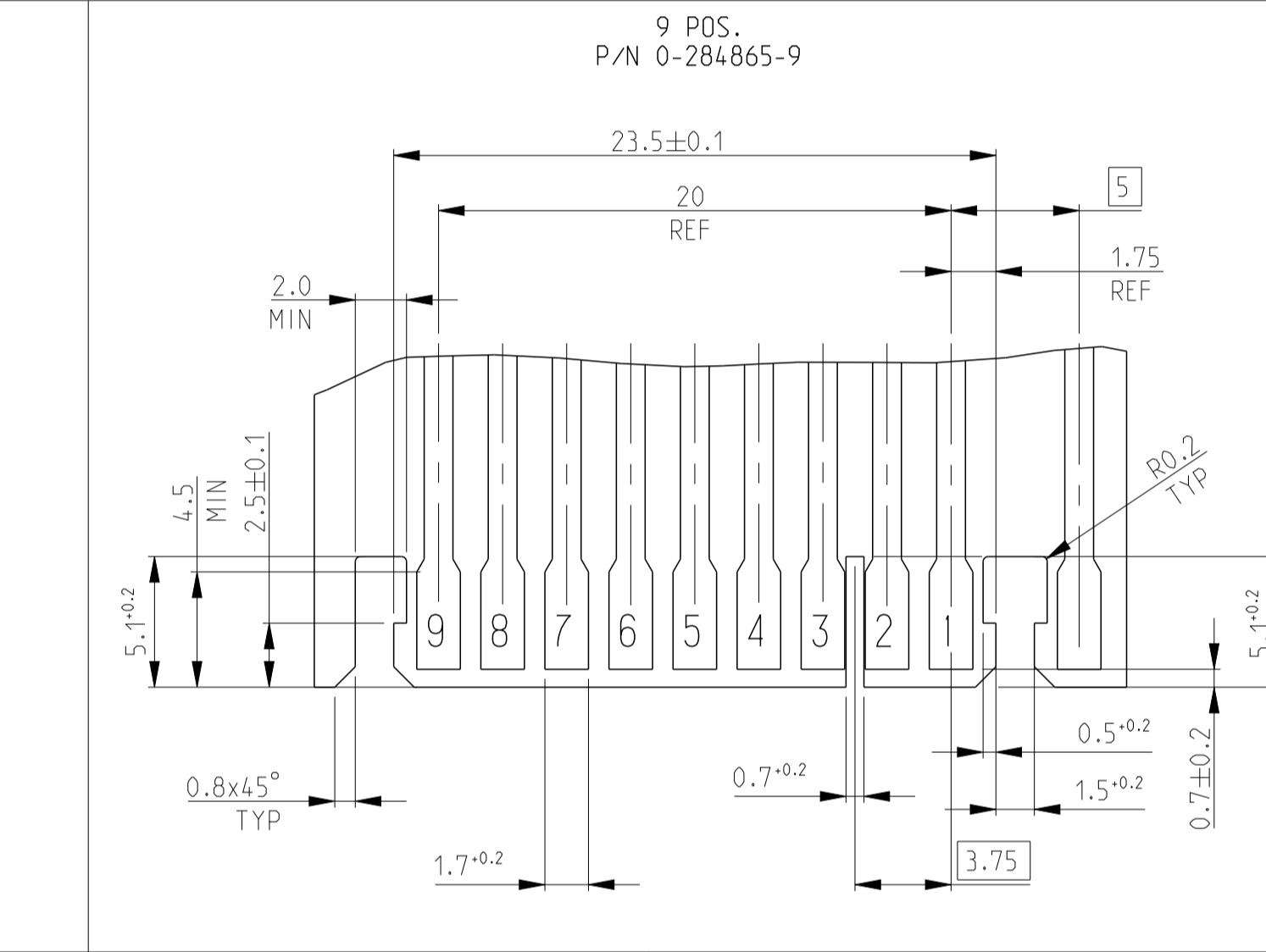
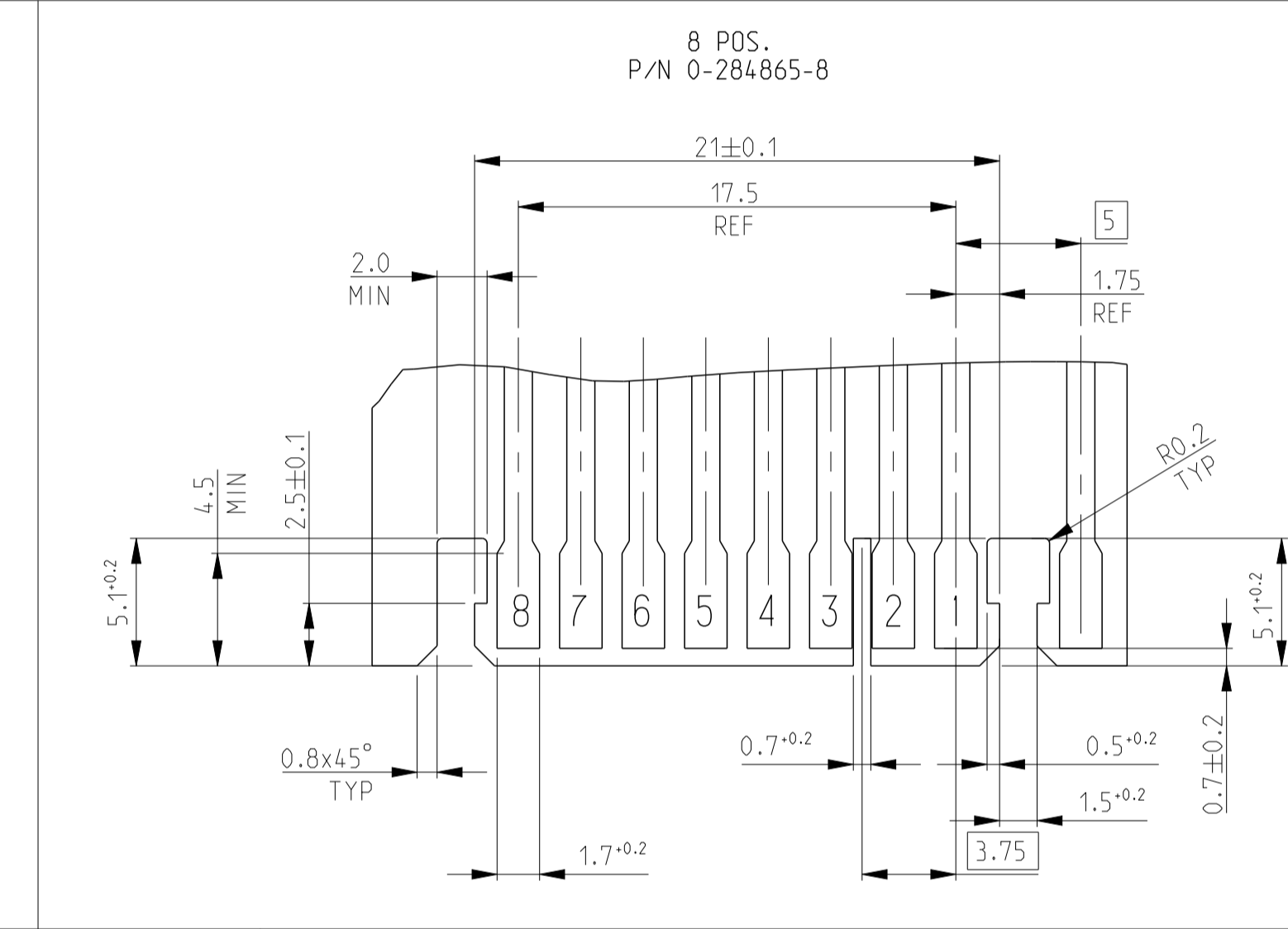
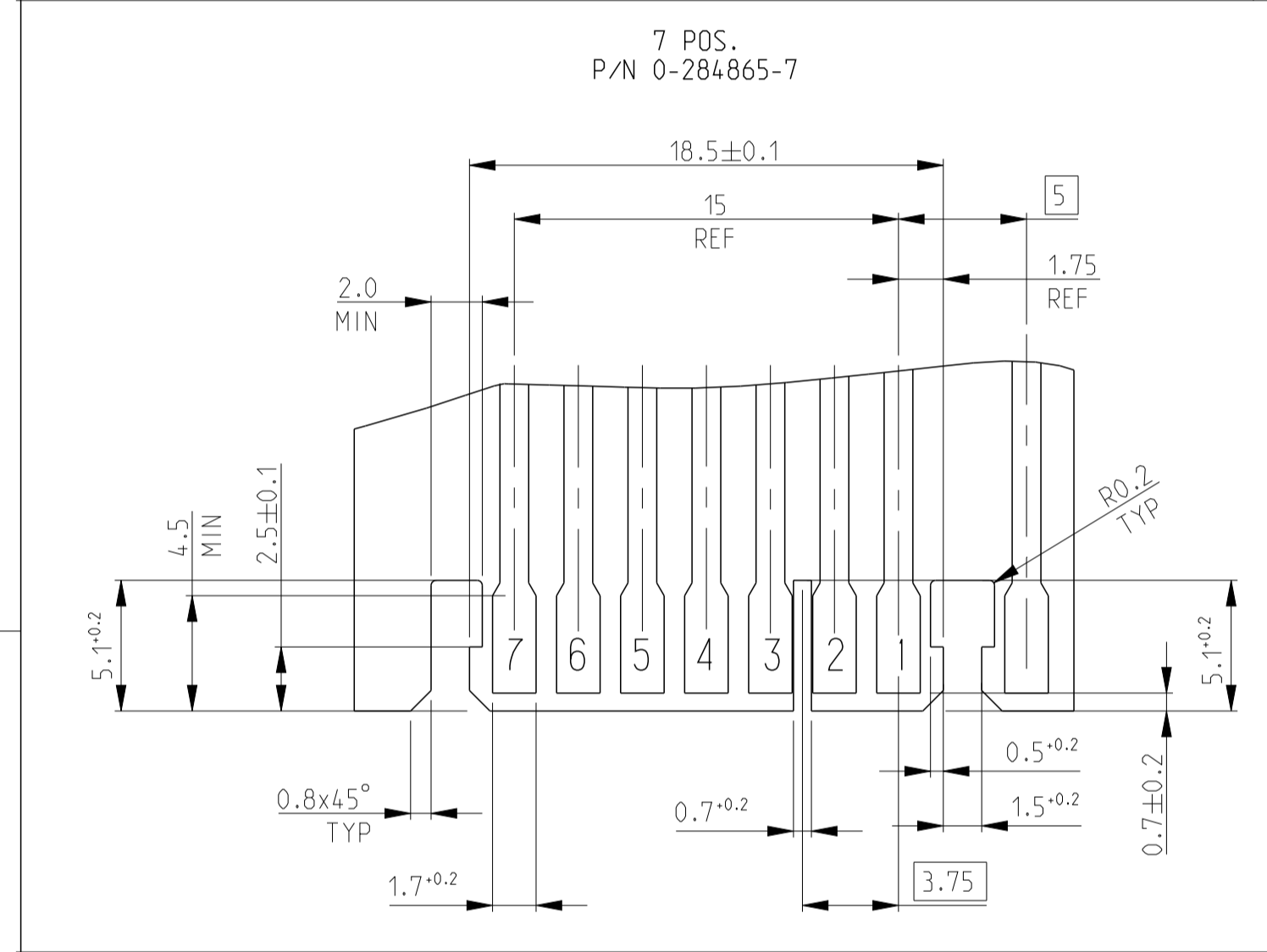
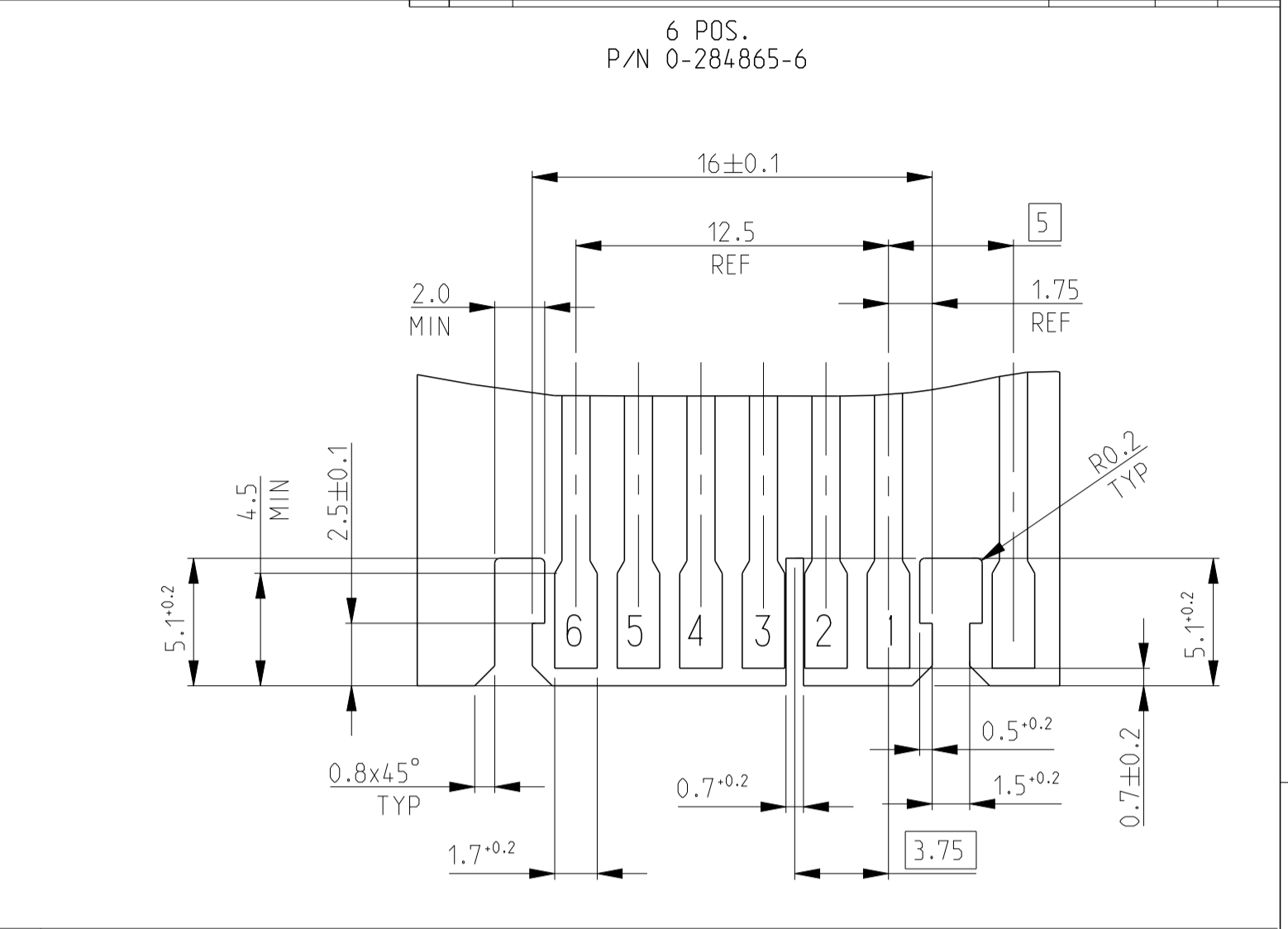
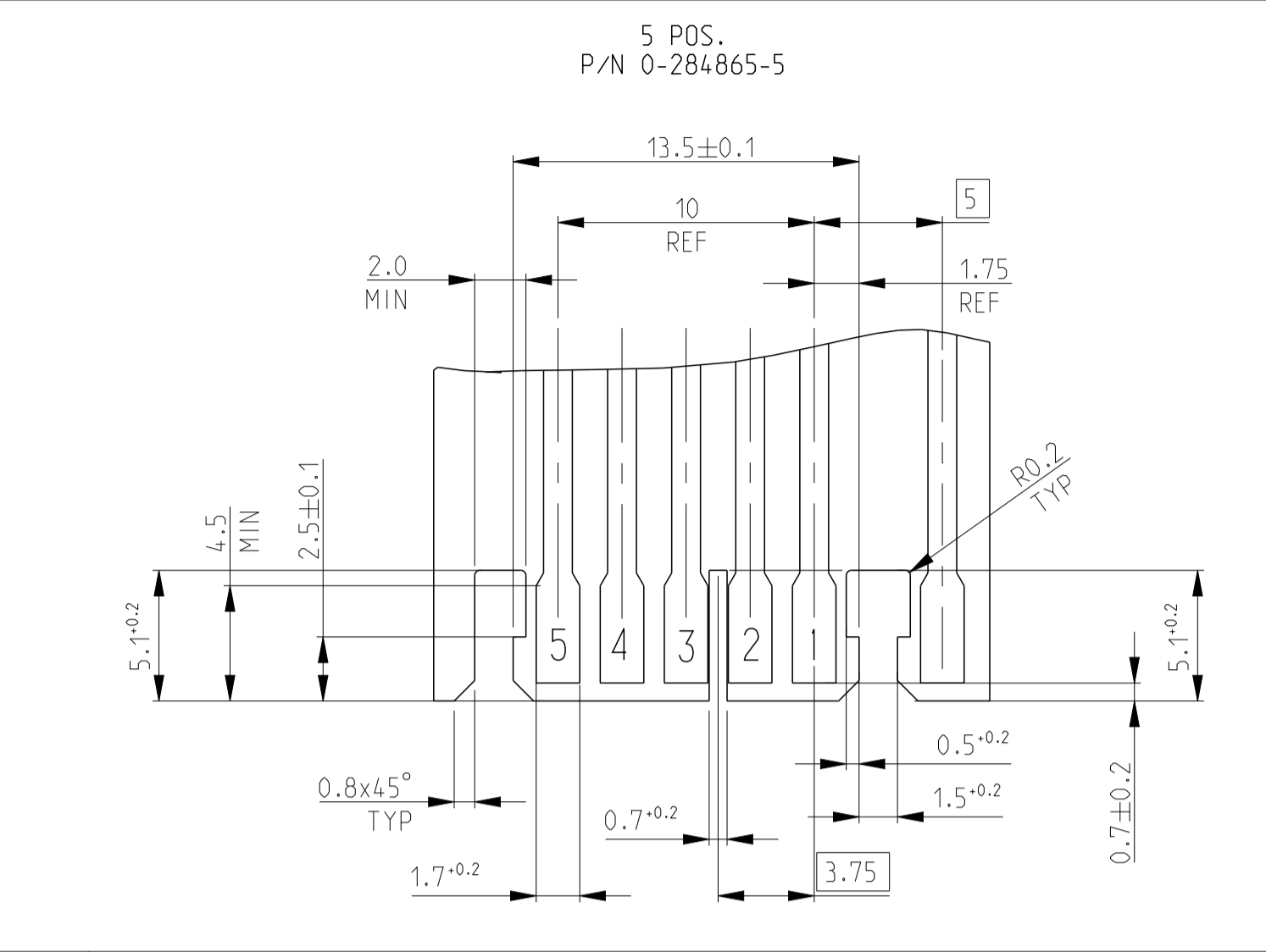
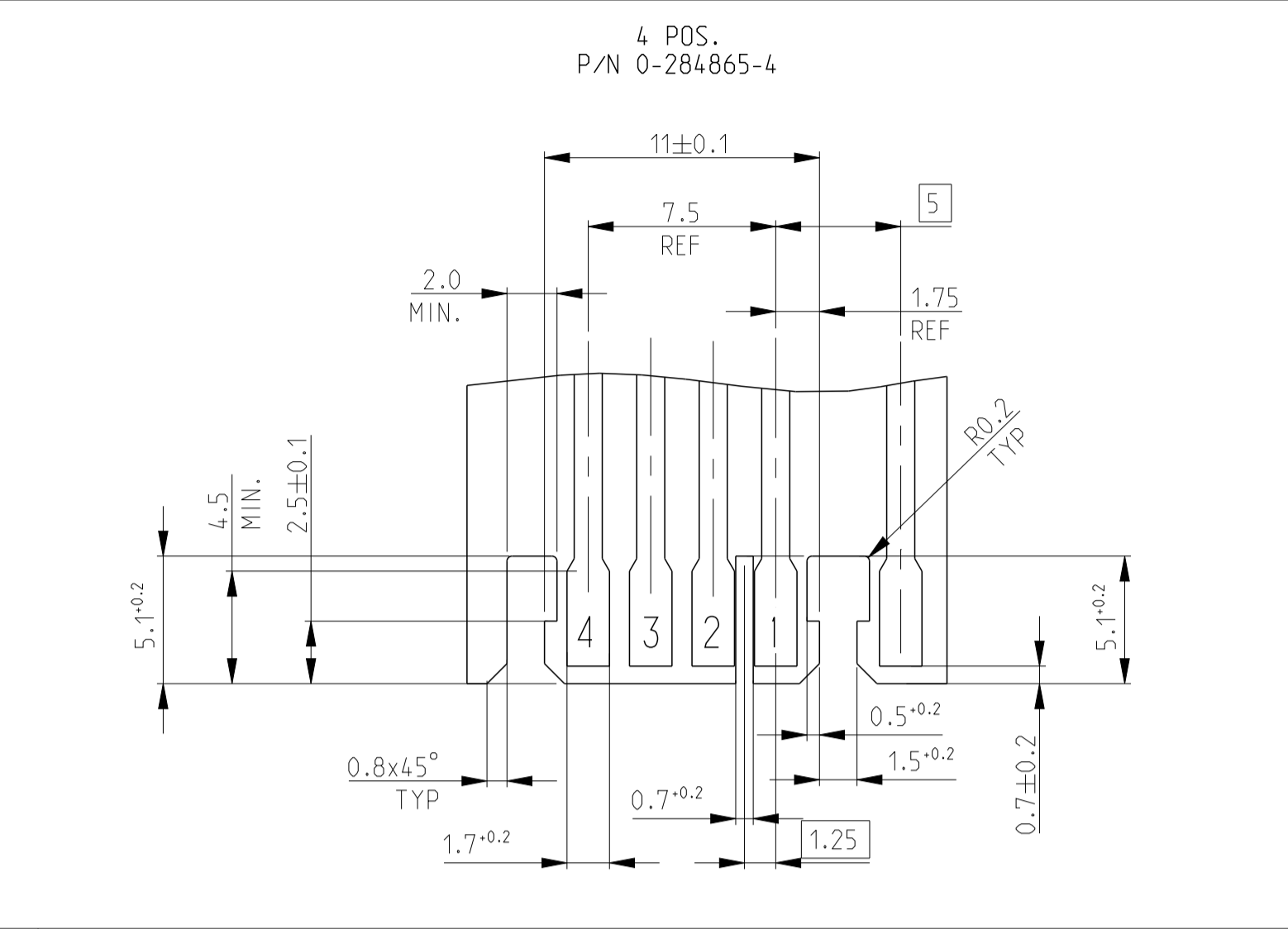
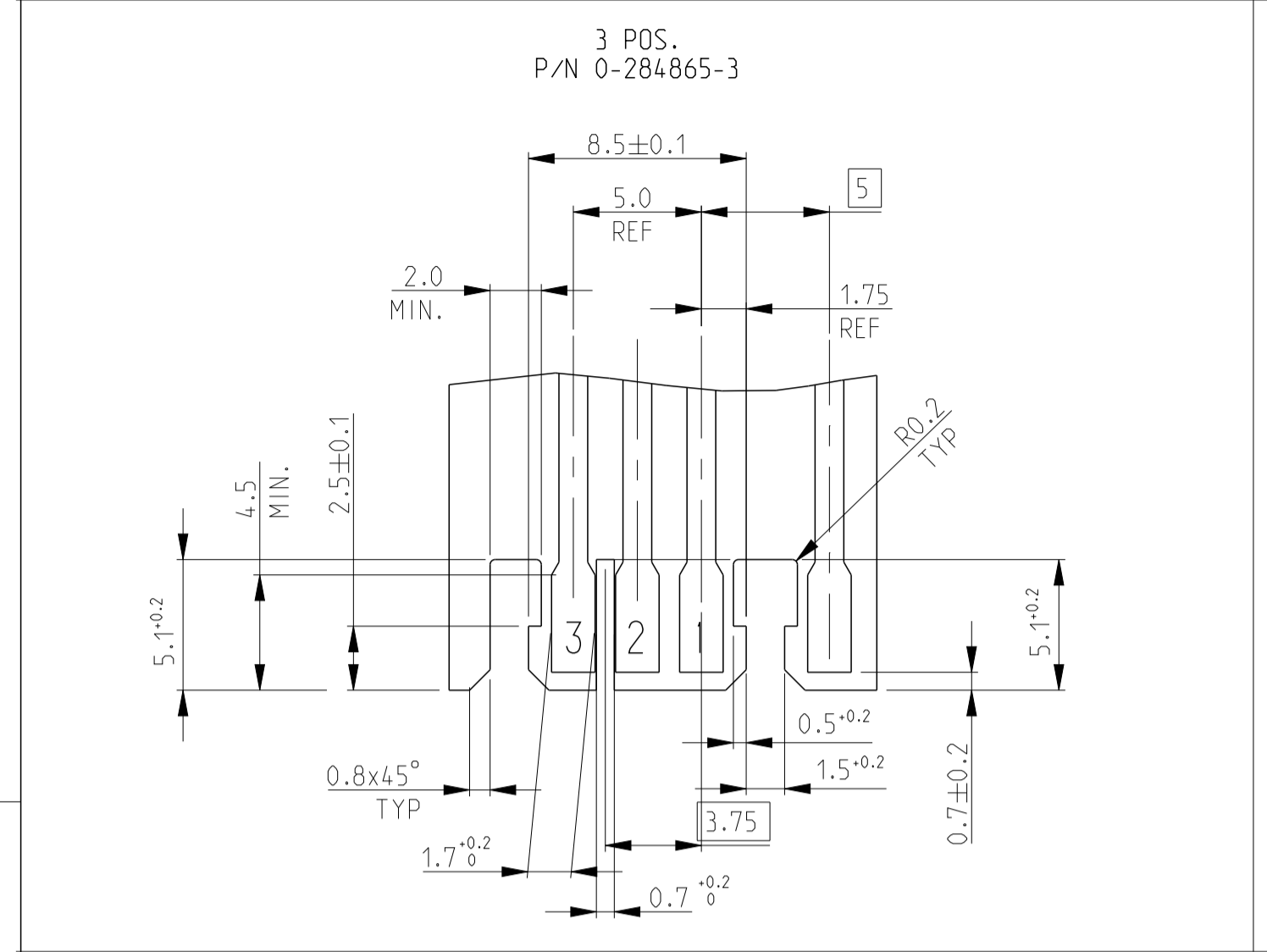
COLOUR CODE	POLARIZ. RIB POS.	HSG POS.	DIM.A	DIM.B	TE P/N	TE P/N
BLACK	13/14	14	32.5	37.4	1-284865-4	2311503-4
RED	11/12	12	27.5	32.4	2-284865-2	1-2311503-2
BLACK	2/3	10	22.5	27.4	1-284865-2	2311503-2
RED	9/10	10	22.5	27.4	2-284865-0	2-2311502-0
BLACK	2/3	9	20.0	24.9	1-284865-0	1-2311502-0
BLACK	2/3	9	20.0	24.9	0-284865-9	2311502-9
RED	3/4	8	17.5	22.4	2-284865-8	1-2311502-8
BLACK	2/3	8	17.5	22.4	0-284865-8	2311502-8
BLACK	2/3	7	15.0	19.9	0-284865-7	2311502-7
-	3/4				5-284865-6	4-2311502-6
ORANGE	5/6				4-284865-6	3-2311502-6
OBSOLETE	BLUE	1/2	6	12.5	3-284865-6	-
RED	4/5				2-284865-6	1-2311502-6
BLACK	2/3				0-284865-6	2311502-6
GREY	1/2				3-284865-5	2-2311502-5
RED	3/4	5	10.0	14.9	2-284865-5	1-2311502-5
BLACK	2/3	5	10.0	14.9	0-284865-5	2311502-5
RED	3/4				3-284865-4	1-2311502-4
OBSOLETE	RED	N/A			2-284865-4	-
BLACK	1/2	4	7.5	12.4	0-284865-4	2311502-4
RED	1/2	3	5.0	9.9	2-284865-3	1-2311502-6
BLACK	2/3				0-284865-3	2311502-3

P/N 0-284865-4 AS SHOWN

-				THIS DRAWING IS A CONTROLLED DOCUMENT.		DWN. R. FABRIS 03JUL2002		TE Connectivity	
SEE TABLE	PH. BRONZE, TIN PLATED	IDC RECEPTACLE CONTACT	2	DIMENSIONS: mm	TOLERANCES UNLESS OTHERWISE SPECIFIED:	APVD: G. TURCO		NAME: DUOPLUG 2.5 FEMALE CONN., SIDE LOCKING KEYPED (FULLY LOADED)	
Q.TY	MATERIAL	DESCRIPTION	ITEM	0 PLC ±0.2 1 PLC ±0.2 2 PLC ±0.2 3 PLC ±0.2 4 PLC ±0.2 ANGLES ±1°		PRODUCT SPEC: 108-20238		APPLICATION SPEC: 116-18049-1	
1		REVISIONE DELL'ASSEMBLATO (REVISION OF EACH ASSY NO)		MATERIAL: SEE TABLE	FINISH: SEE TABLE	WEIGHT: -		SIZE: A1 00779 C=284865	
0.1A PER ASSEMBLATO (BY REF ASSY)				ELENCO DEI COMPONENTI (PARTS LIST)		Customer Drawing		SCALE 10:1 SHEET 1 OF 4 REV A19	

PCB LAYOUT -Soldering side-  
 (SCALE 4:1)

LOC		DIST		REVISIONS			
				DESCRIPTION	DATE	OWN	APVD
				SEE SHEET 1			



THIS DRAWING IS A CONTROLLED DOCUMENT. OWN: R. FABRIS 03JUL2002  
 DIMENSIONS: mm TOLERANCES UNLESS OTHERWISE SPECIFIED:  
 0 PLC # # # # #  
 1 PLC # # # # #  
 2 PLC # # # # #  
 3 PLC # # # # #  
 4 PLC # # # # #  
 ANGLES # # # # #  
 MATERIAL: SEE TABLE FINISH: SEE TABLE

APVD: E. TURCO	NAME: DUOPLUG 2.5 FEMALE CONN., SIDE LOCKING KEYPED (FULLY LOADED)
PRODUCT SPEC: 108-20238	SIZE: A1
APPLICATION SPEC: 116-18049-1	CAGE CODE: 00779
WEIGHT: -	DRAWING NO: C=284865
Customer Drawing	SCALE: 2:1 SHEET: 2 OF 4

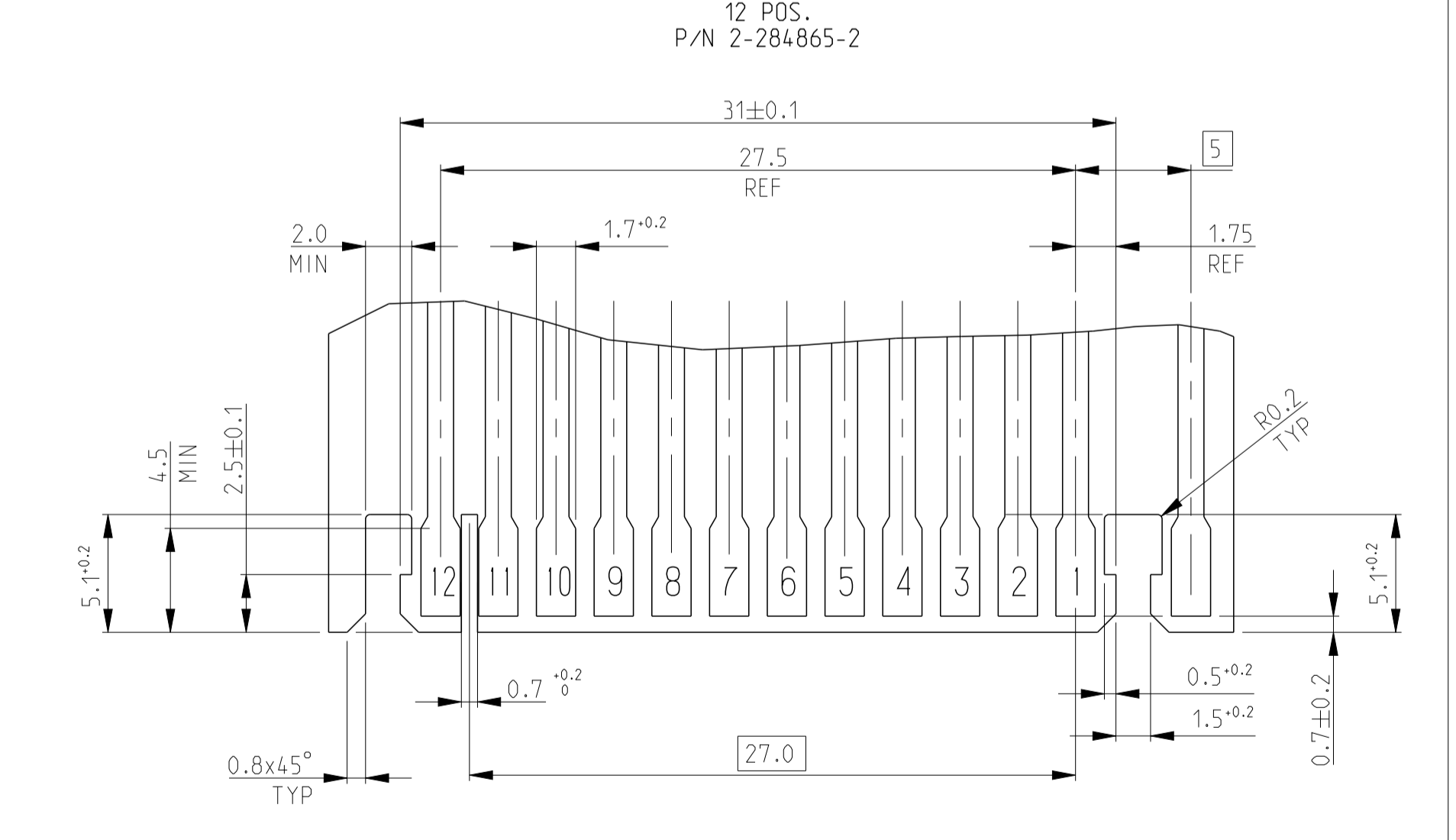
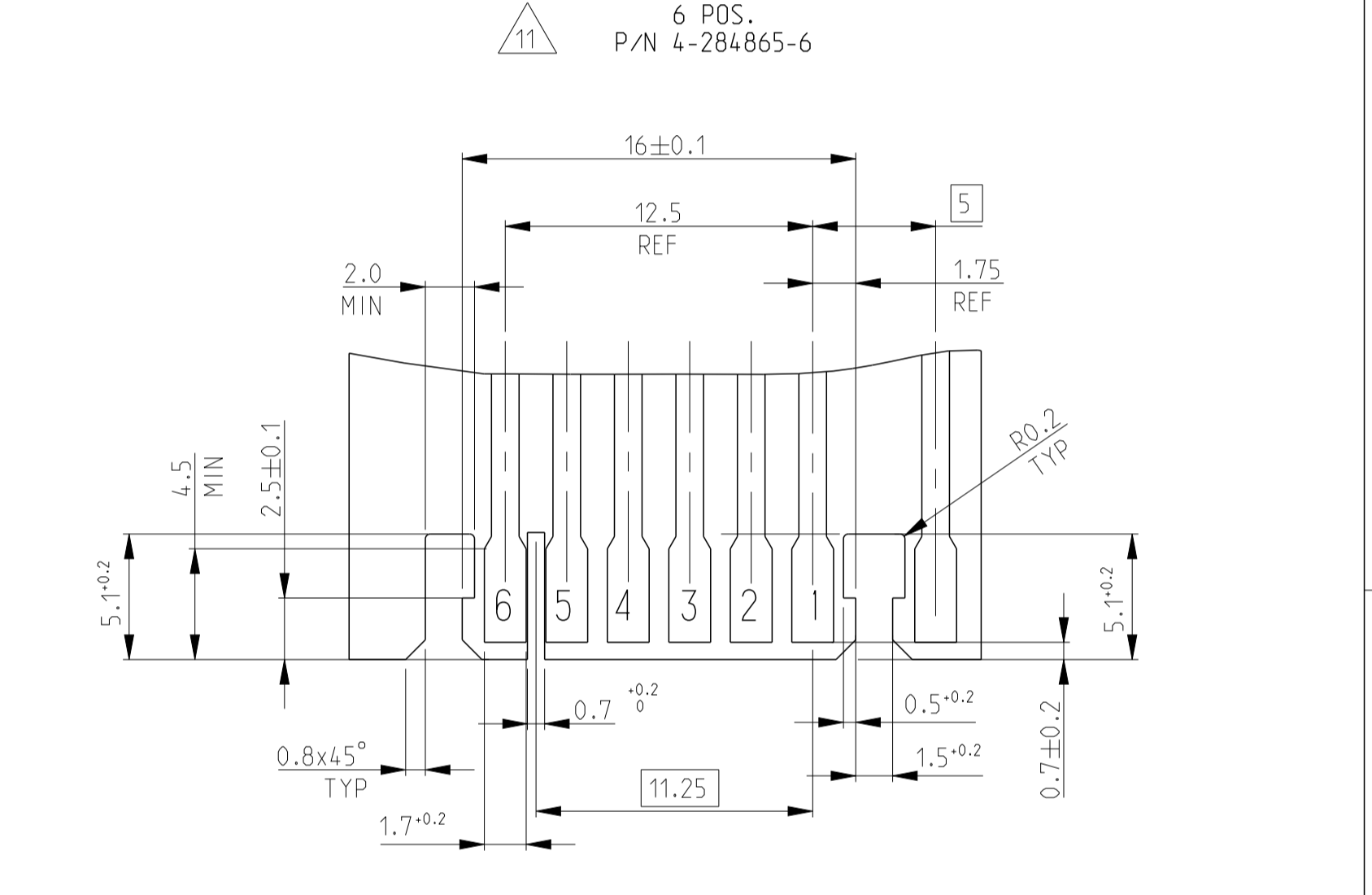
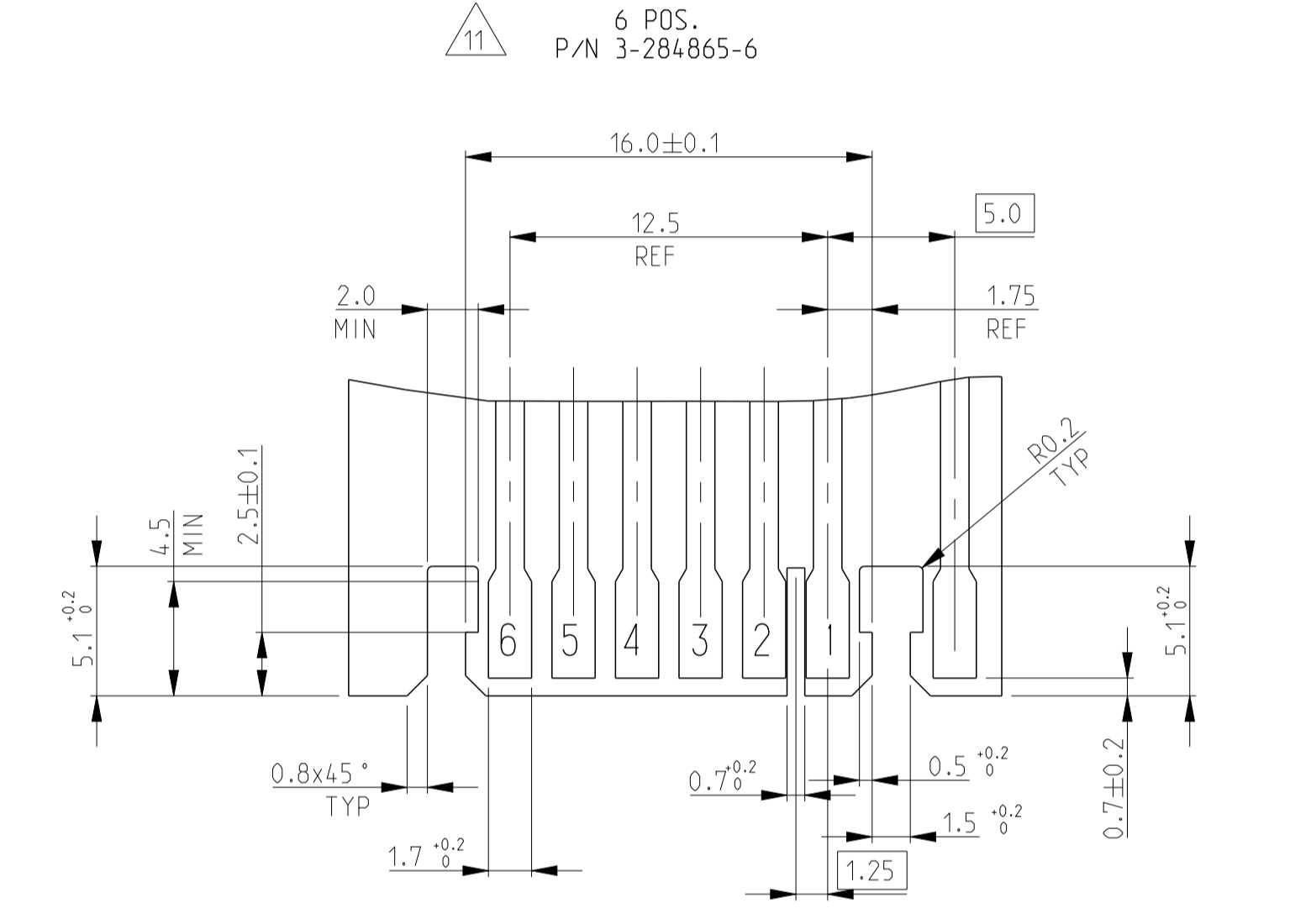
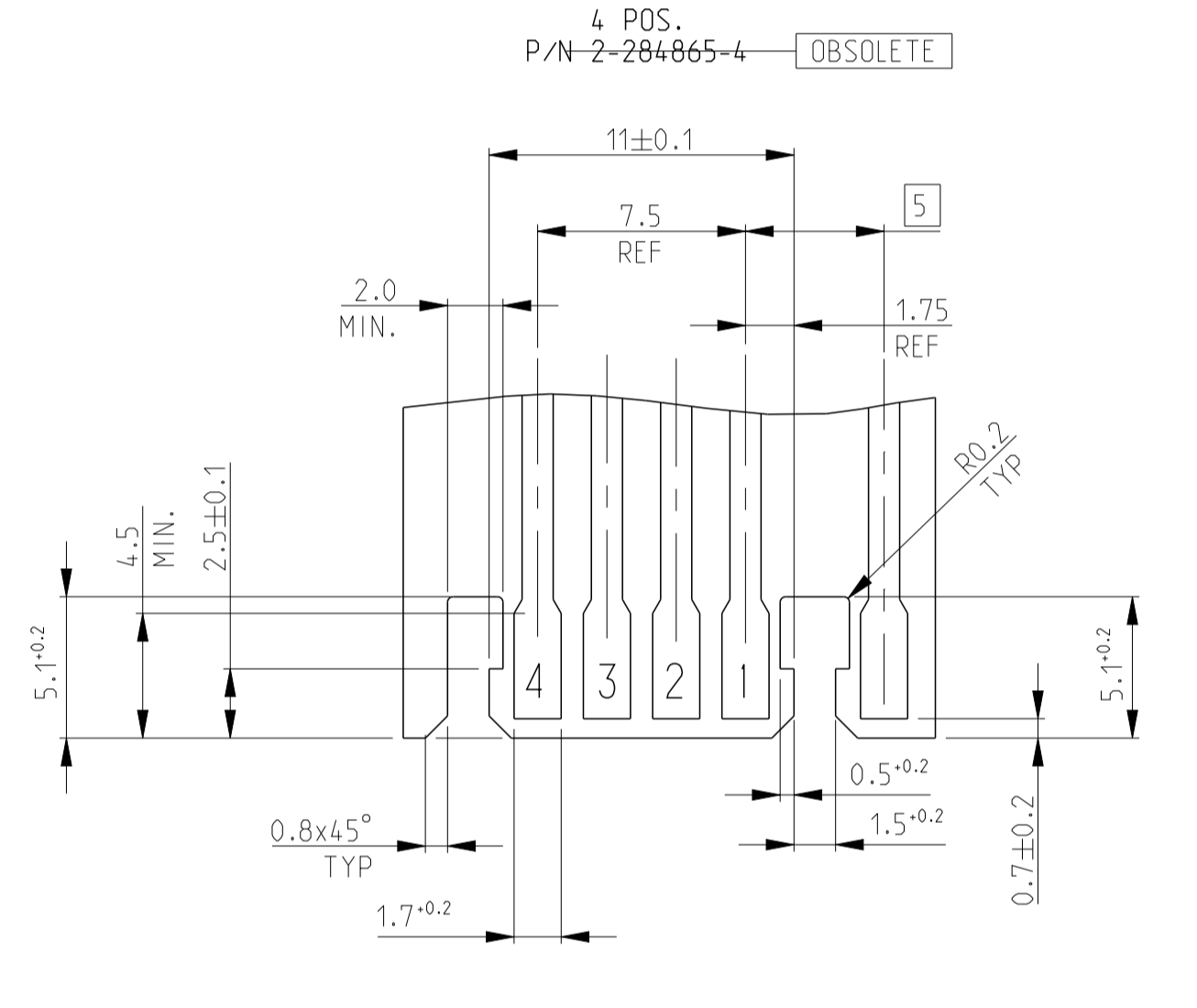
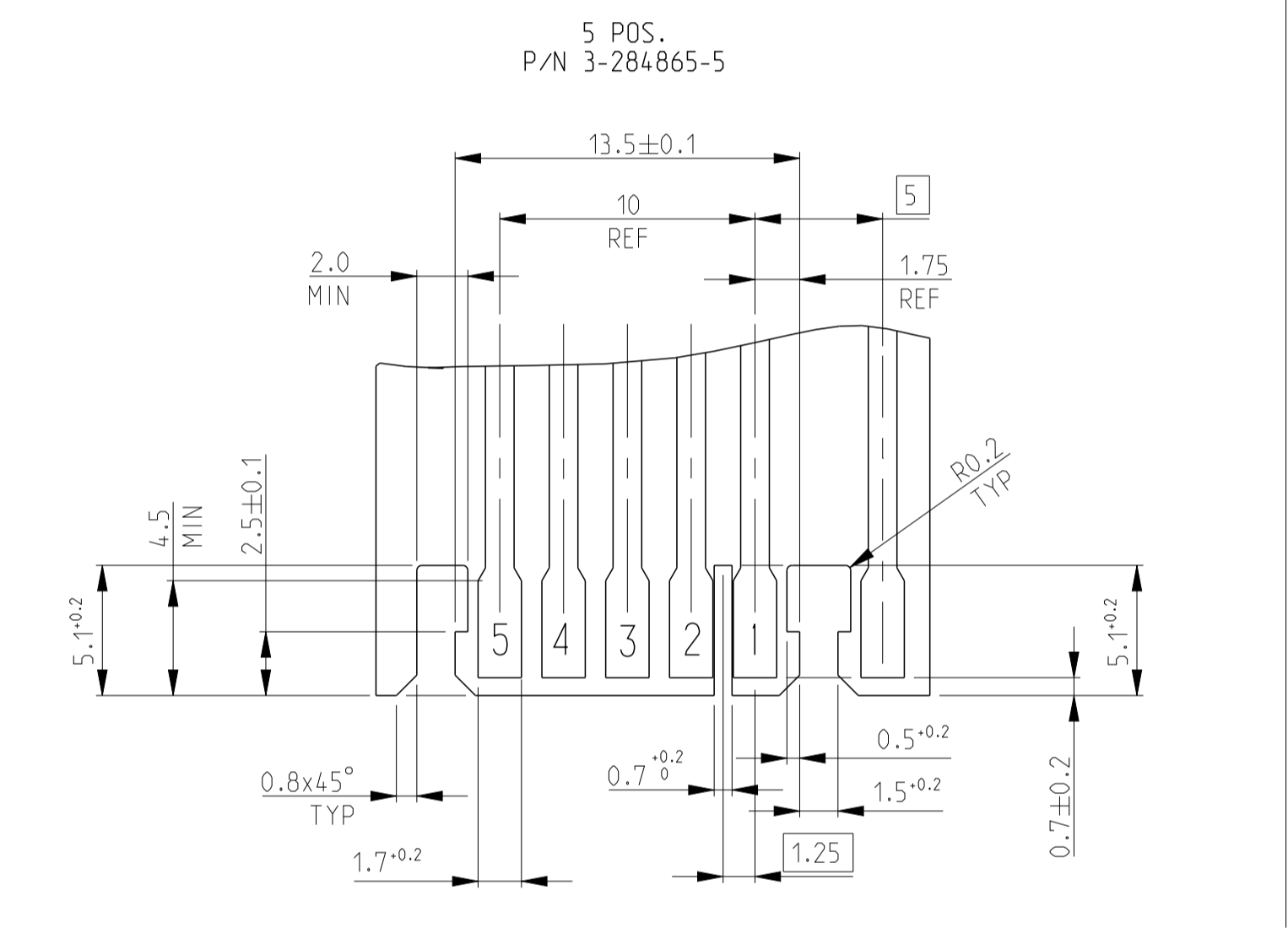
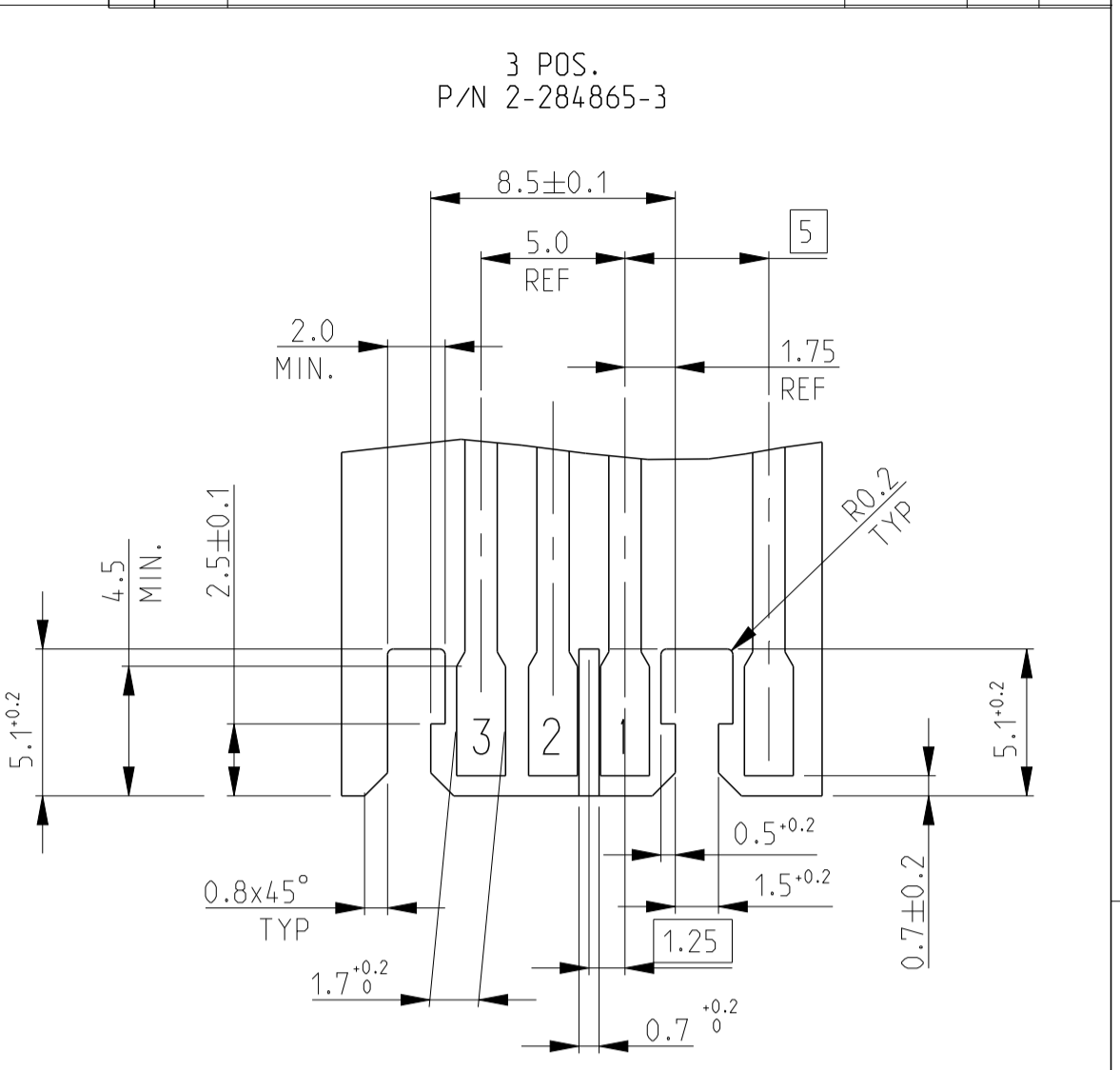
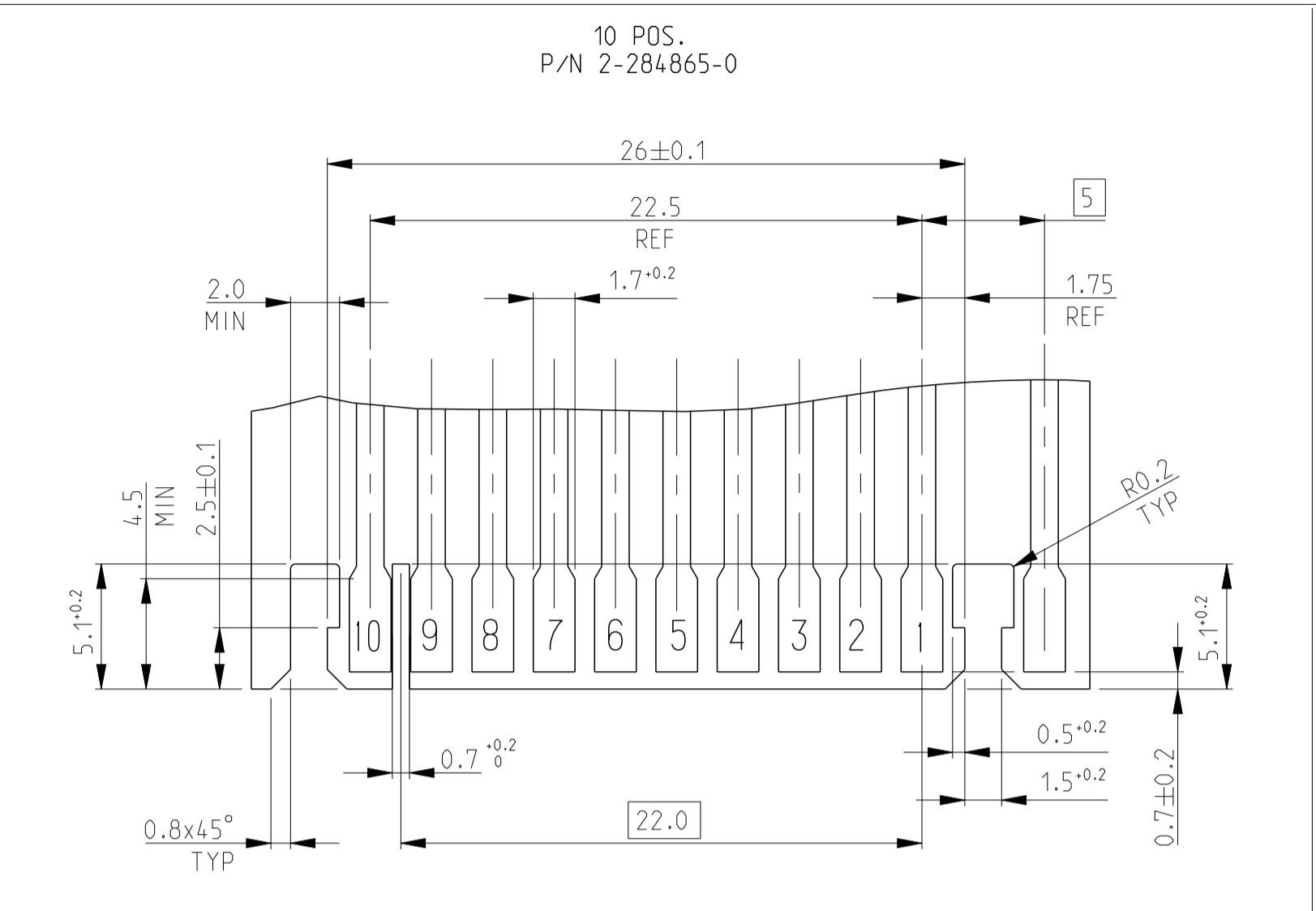
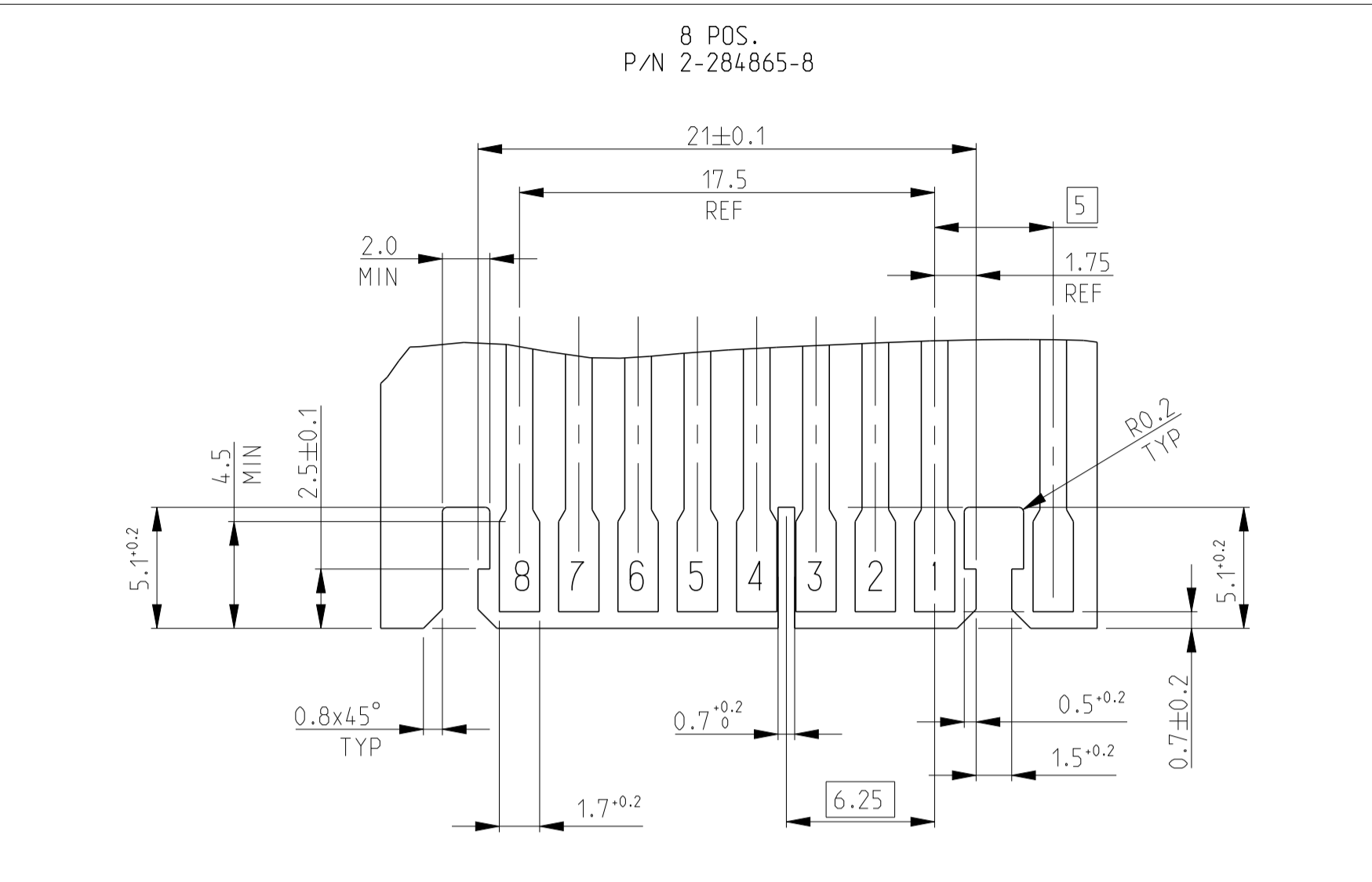
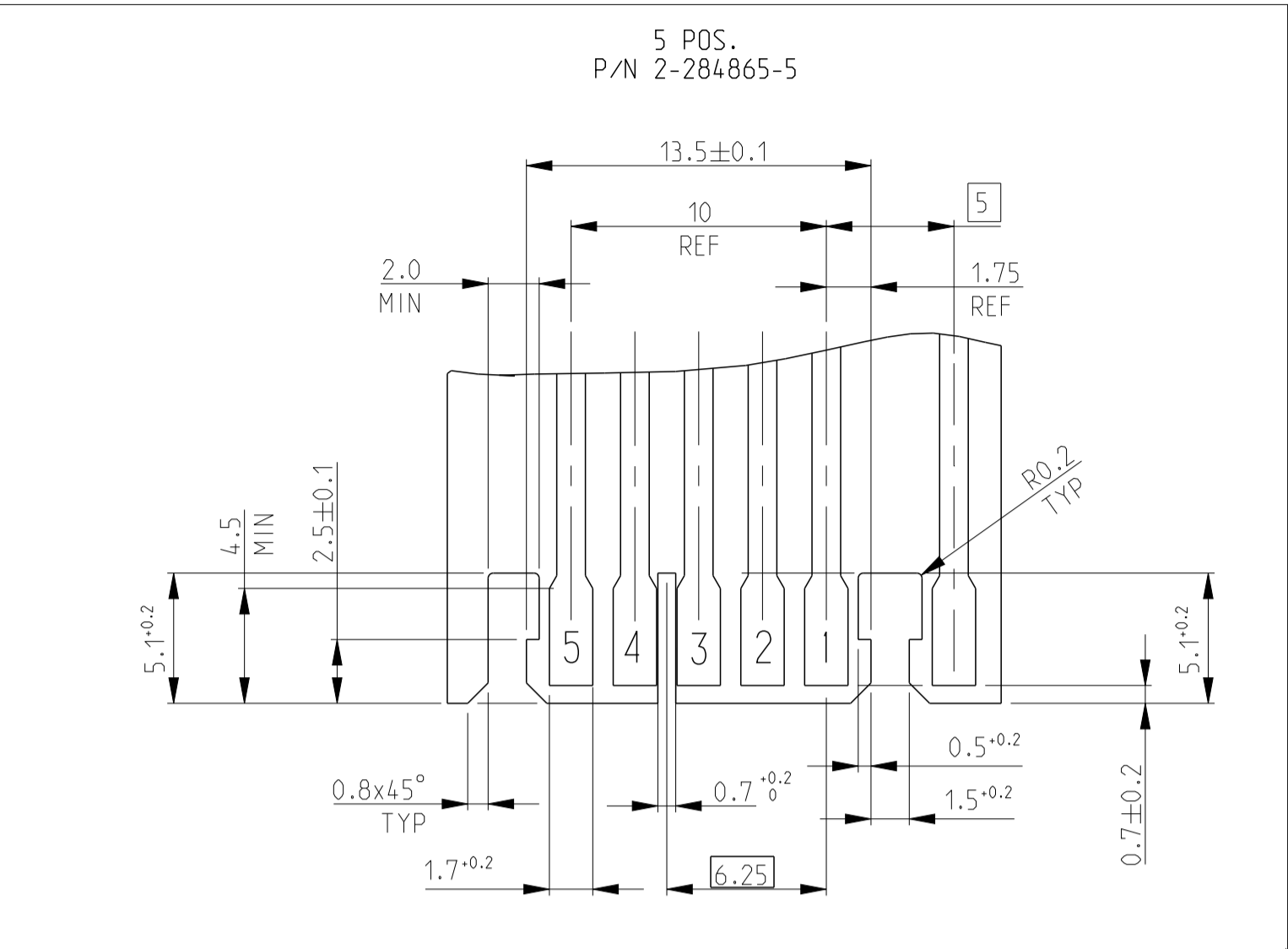
STE TE Connectivity



LOC	DIST	REV	DESCRIPTION	DATE	OWN	APPV
		1	SEE SHEET 1			

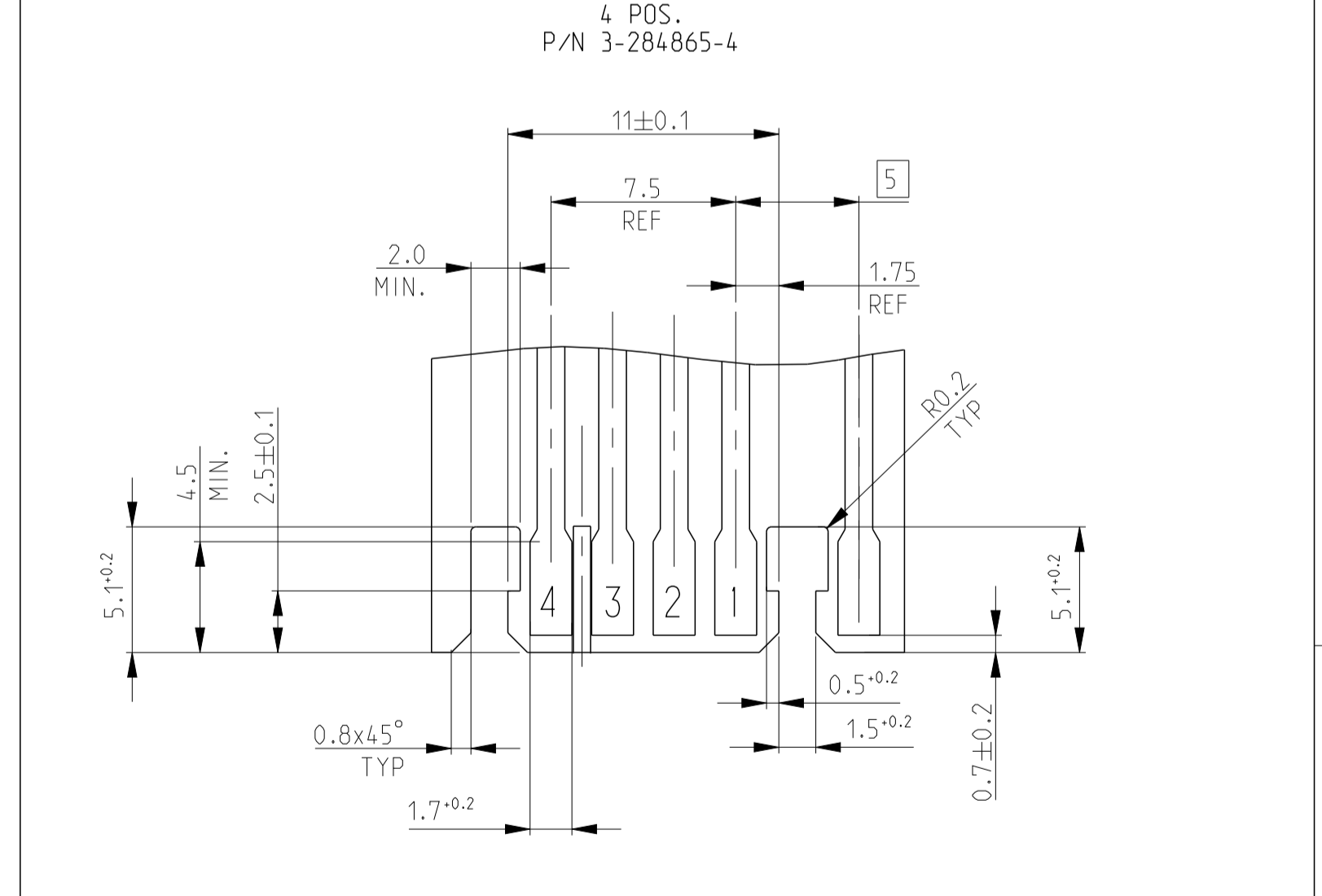
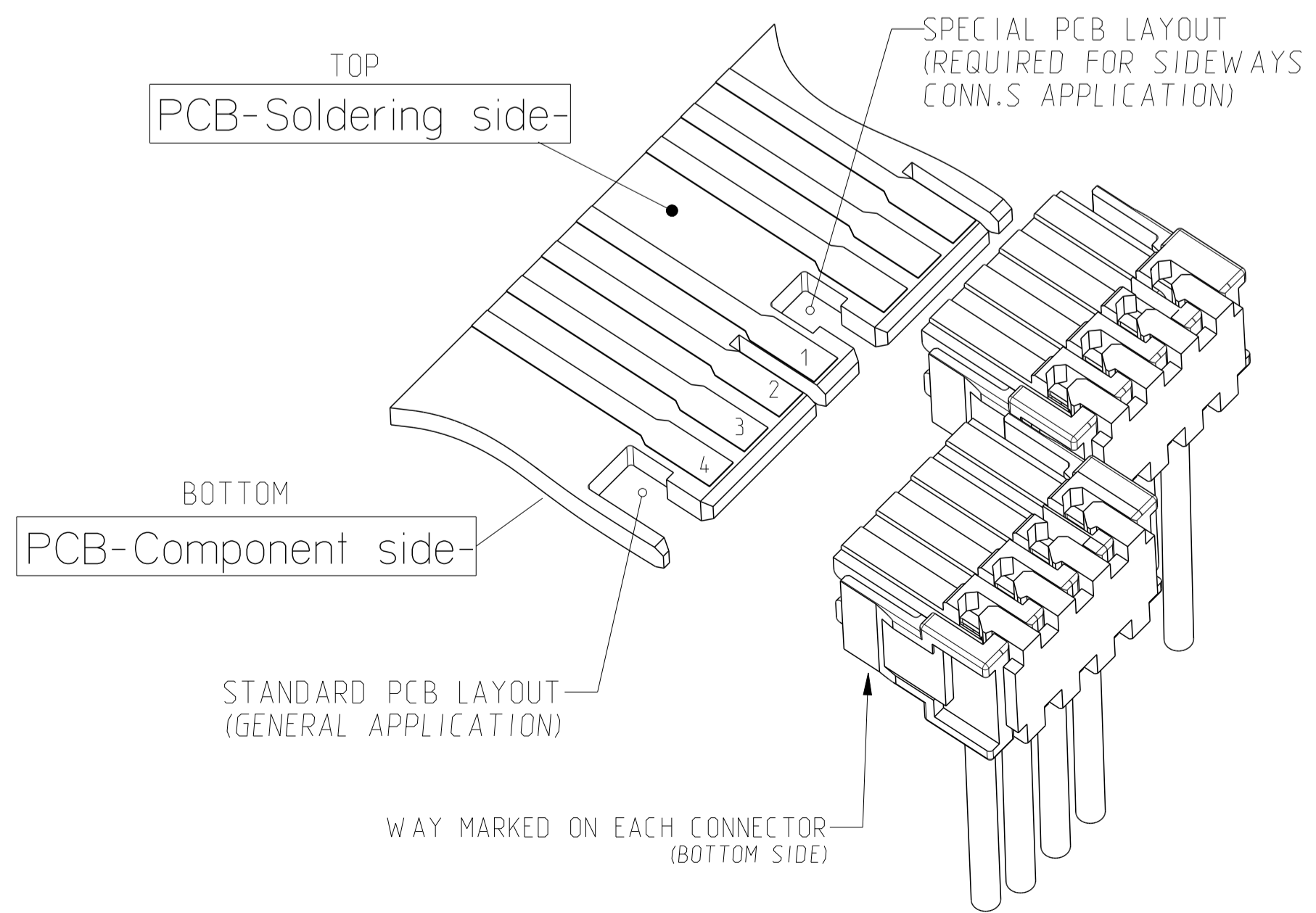
### PCB LAYOUT -Soldering side-

(SCALE 4:1)



### CONNECTION LAYOUT

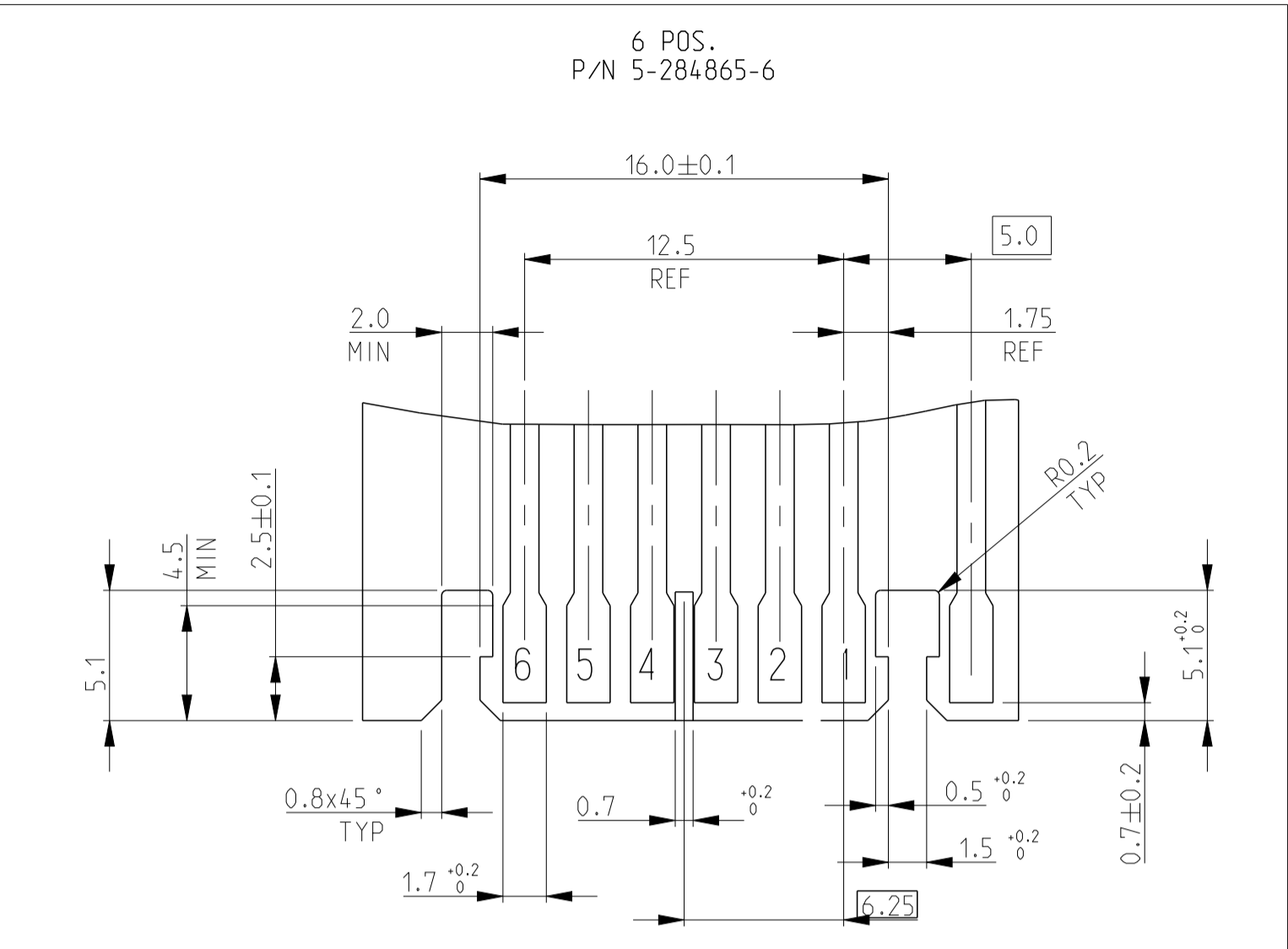
E.G P/N 0-284865-4  
(SCALE 4:1)




THIS DRAWING IS A CONTROLLED DOCUMENT.		OWN: R. FABRIS	03JUL2002	TE Connectivity	
DIMENSIONS: mm		CHK: -	NAME: DUOPLUG 2.5 FEMALE CONN., SIDE LOCKING KEYPED (FULLY LOADED)	RESTRICTED TO	
TOLERANCES UNLESS OTHERWISE SPECIFIED:		APV: -	SIZE: A1	CAGE CODE: 116-18049-1	DRAWING NO: 108-20238
0 PLC	0.15	PLC	0.25	PLC	0.30
1 PLC	0.20	PLC	0.40	PLC	0.50
2 PLC	0.30	PLC	0.60	PLC	0.80
3 PLC	0.40	PLC	1.00	PLC	1.50
4 PLC	0.50	PLC	2.00	PLC	3.00
ANGLES	±0.1	FINISH	SEE TABLE	WEIGHT	Customer Drawing
MATERIAL: SEE TABLE		SCALE: 10:1		SHEET 3 OF 4	

### PCB LAYOUT -Soldering side-

(SCALE 4:1)



LOC		DIST		REVISIONS			
P	LTN	DESCRIPTION	DATE	DWN	APVD		
-	-	SEE SHEET 1	-	-	-		

THIS DRAWING IS A CONTROLLED DOCUMENT.		DWN R. FABRIS	03JUL2002	 TE Connectivity	
DIMENSIONS: mm		CHK -	APVD G. TURCO		
TOLERANCES UNLESS OTHERWISE SPECIFIED:		PRODUCT SPEC		RESTRICTED TO	
0 PLC ±		108-20238		SIZE CAGE CODE DRAWING NO	
1 PLC ±		APPLICATION SPEC		A1 00779 C=284865	
2 PLC ±		116-18049-1		SCALE 10:1 SHEET 4 OF 4 REV A19	
3 PLC ±		WEIGHT			
4 PLC ±		Customer Drawing			
ANGLES ±°					
FINISH					
MATERIAL SEE TABLE		SEE TABLE			