



Chipsmall Limited consists of a professional team with an average of over 10 year of expertise in the distribution of electronic components. Based in Hongkong, we have already established firm and mutual-benefit business relationships with customers from,Europe,America and south Asia,supplying obsolete and hard-to-find components to meet their specific needs.

With the principle of “Quality Parts,Customers Priority,Honest Operation,and Considerate Service”,our business mainly focus on the distribution of electronic components. Line cards we deal with include Microchip,ALPS,ROHM,Xilinx,Pulse,ON,Everlight and Freescale. Main products comprise IC,Modules,Potentiometer,IC Socket,Relay,Connector.Our parts cover such applications as commercial,industrial, and automotives areas.

We are looking forward to setting up business relationship with you and hope to provide you with the best service and solution. Let us make a better world for our industry!



Contact us

Tel: +86-755-8981 8866 Fax: +86-755-8427 6832

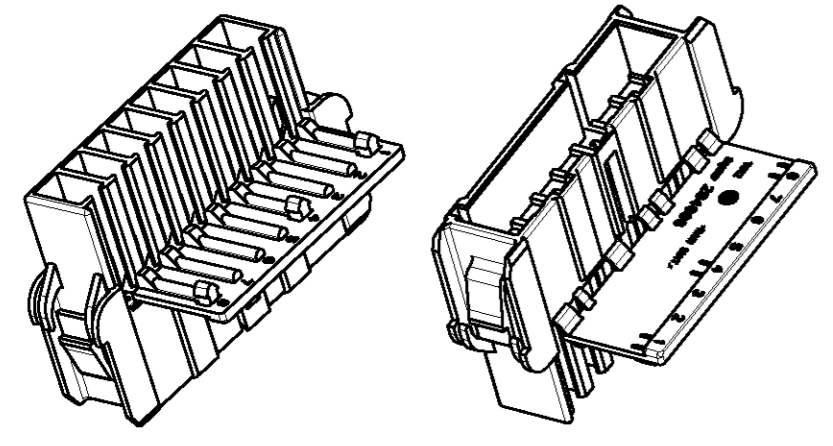
Email & Skype: info@chipsmall.com Web: www.chipsmall.com

Address: A1208, Overseas Decoration Building, #122 Zhenhua RD., Futian, Shenzhen, China



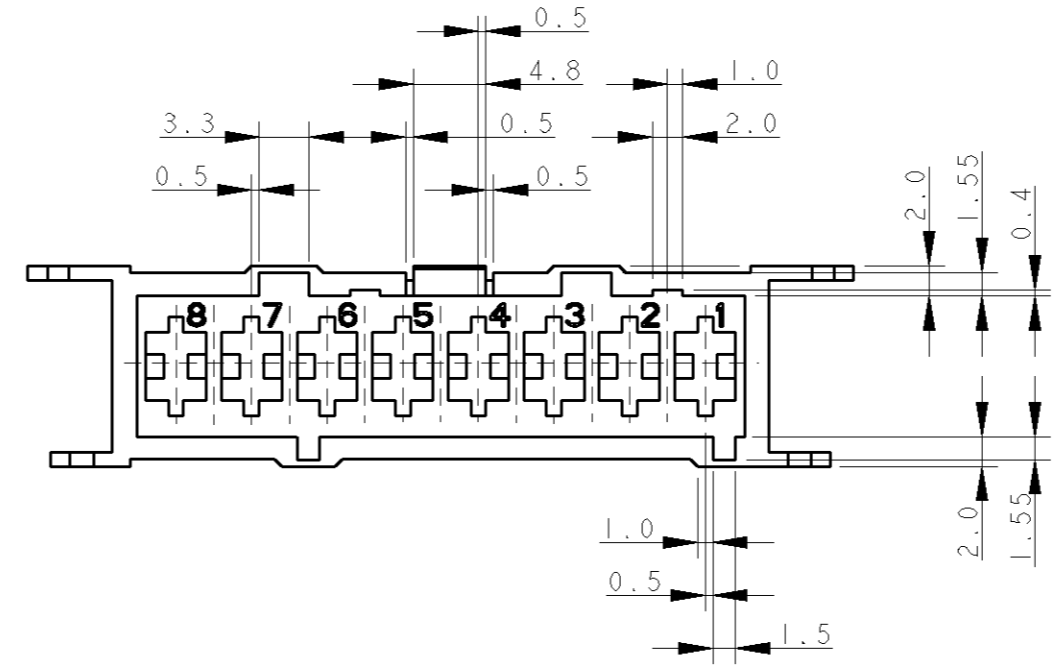
THIS DRAWING IS UNPUBLISHED. RELEASED FOR PUBLICATION 2003
 © COPYRIGHT 2003 BY TYCO ELECTRONICS CORPORATION. ALL RIGHTS RESERVED.

LOC	DIST	REVISIONS			
P	LTR	DESCRIPTION	DATE	DWN	APVD
A1		REDRAWN, ET00-0132-04	21 JUN 2004	HY	GT
B		RELEASED FOR ECR-05-001314	08 APR 2005	HY	GT
C		ADDED P/N 284986-2	17 FEB 2009	HY	GT

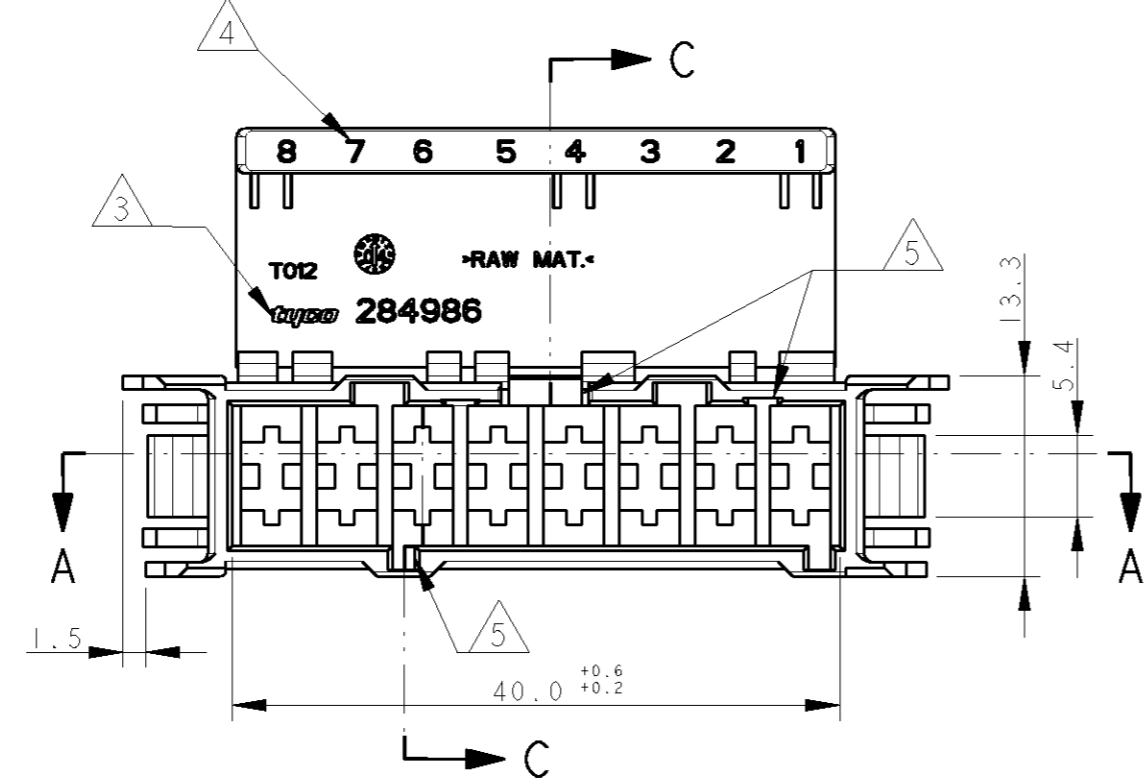
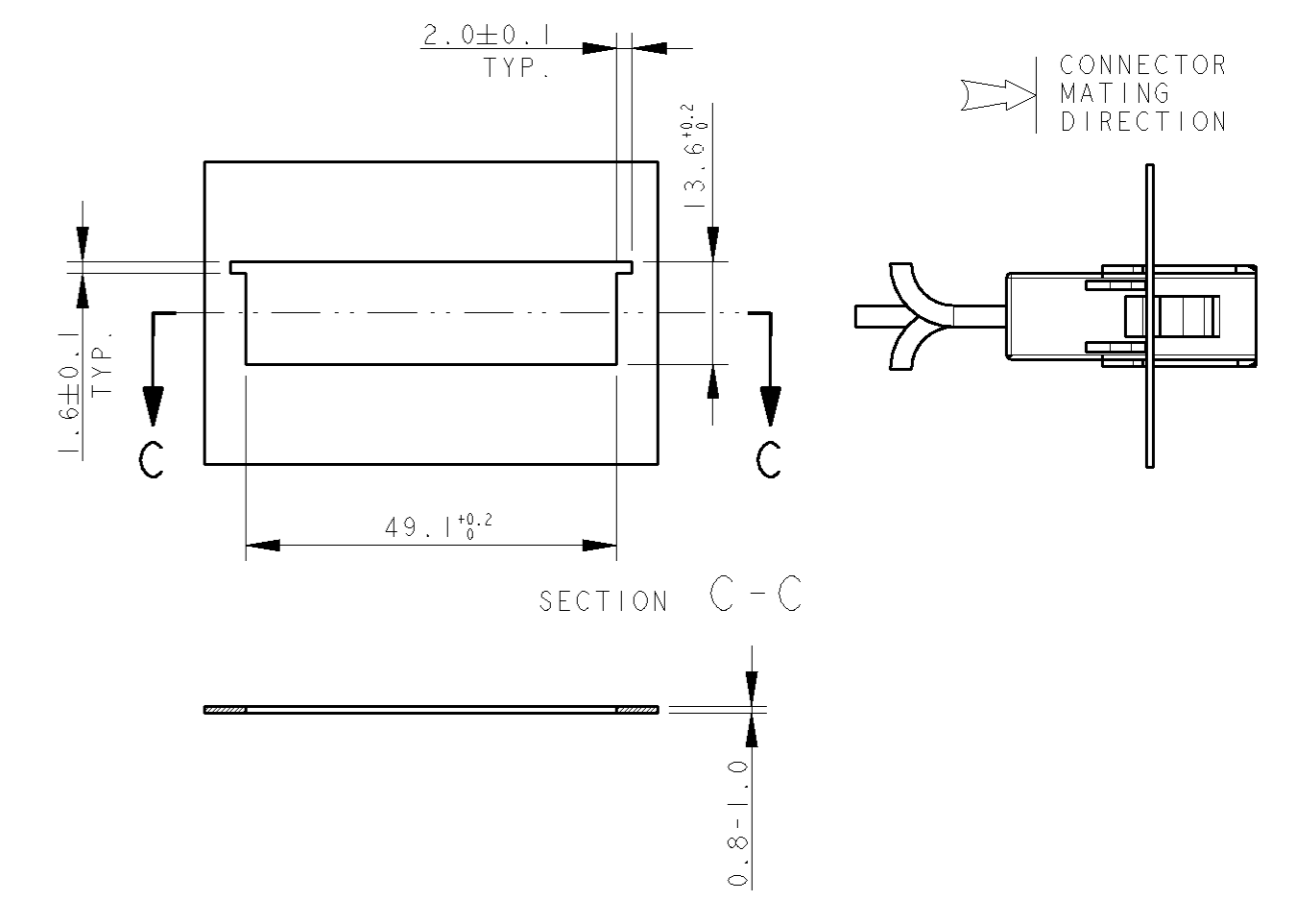


SCALE 1:1

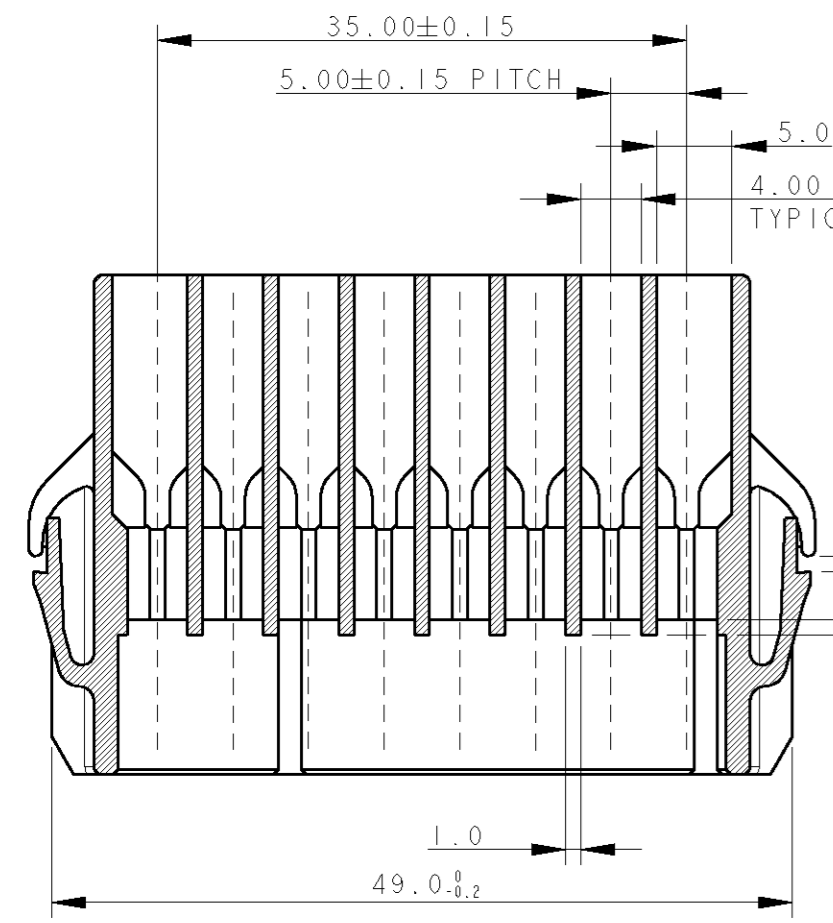
POLARIZATION KEYS SCHEME



PANEL MOUNT DIMENSIONS SCALE 1:1

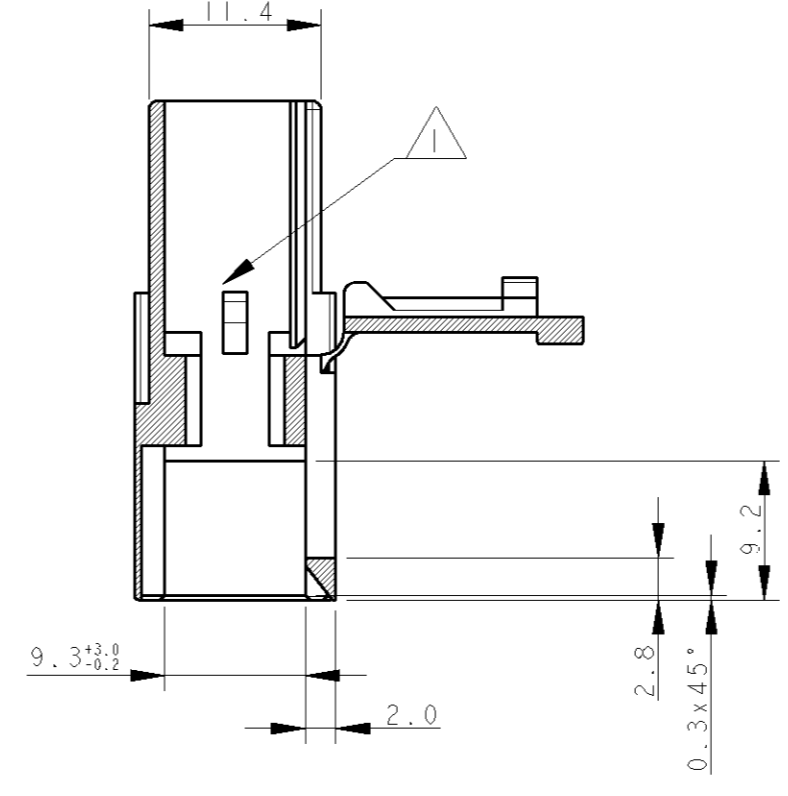


SECTION A-A



SUITABLE FOR 0.8-1.0 mm PANEL THK.

SECTION C-C

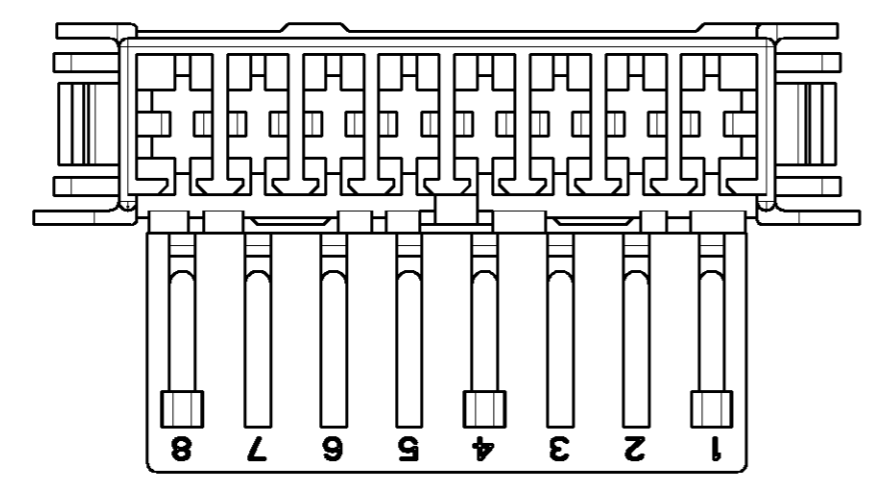


- ① TYPICAL CAVITY SUITABLE FOR:
FASTIN-FASTON TAB CONTACTS 6.3 mm SRS:
P/N: 60294, 0.3-0.8 mm² WIRE RANGE
160691, 0.3-0.8 mm² WIRE RANGE
AMPLIVAR CONTACTS:
P/N: 141051, 0.1-0.5 mm² WIRE RANGE
142411, 0.3-1.6 mm² WIRE RANGE
MAX. INSULATION DIA. 2.8 mm,
MAX. INSULATION CRIMP WIDTH 3.3 mm.
- ② PA6 UNFILLED, NATURE COLOUR
"SHULAMID 6MV 14 K1681"
- ③ TE TRADEMARK "LOGO" AND
TYCO ELECTRONICS "PART NUMBER"
OPTIONAL POSITION.
- ④ CIRCUIT IDENTIFICATION NUMBERS, 1 TO 8
- ⑤ POLARIZATION KEYS DIMENSIONS AND POSITIONS
ARE ACCORDING TO "RAST 5" NORM

P/N 284986-1 AS SHOWN

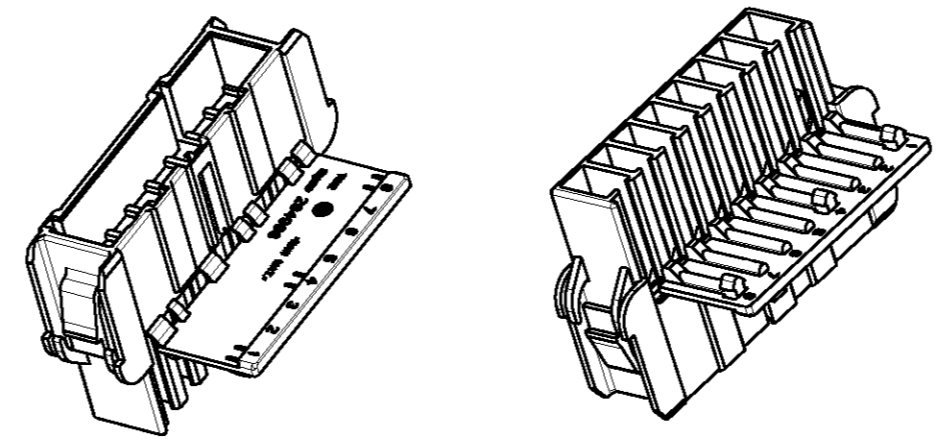
NOTE	COLORE (COLOUR)	MATERIALE (MATERIAL)	NUMERO (TE P/N)	REV
SEE SHEET 2 FOR DETAILS	NATURALE (NATUR)	VEDI NOTA 2 (SEE NOTE 2)	284986-2	C
	NATURALE (NATUR)	VEDI NOTA 2 (SEE NOTE 2)	284986-1	B

DIMENSIONS: mm 		TOLERANCES UNLESS OTHERWISE SPECIFIED: 0 PLC ± 1 PLC ±0.3 2 PLC ± 3 PLC ± 4 PLC ± ANGLES ±° FINISH		DWN H. YAALI 16 JUN 2004 CHK C. TARTARI APVD PRODUCT SPEC 108-20256 APPLICATION SPEC WEIGHT 9.9 GR CUSTOMER DRAWING	tyco Electronics tyco Electronics AMP Italia S.p.A. C.so F. Cervi, 15 COLLEGGNO (TO) NAME 8 POS. FASTIN-FASTON Connector TAB HOUSING, RAST 5 0.8-1.0 MM THK. PANEL MOUNT VERSION SIZE A2 CAGE CODE 00779 DRAWING NO. C-284986 RESTRICTED TO
SEE TABLE		SCALE 2:1		SHEET 1 OF 2 REV C	

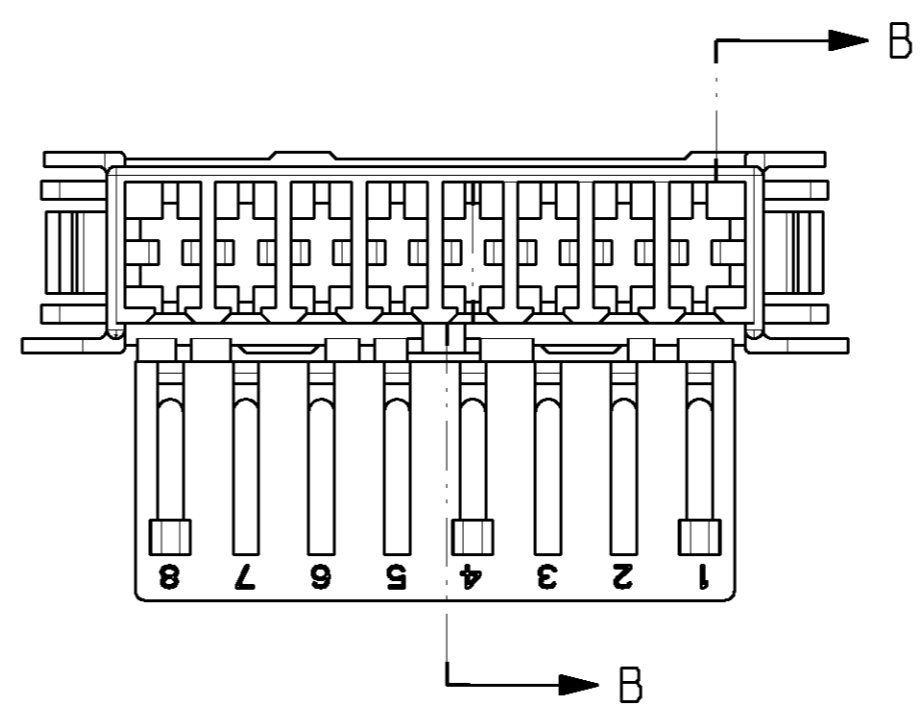
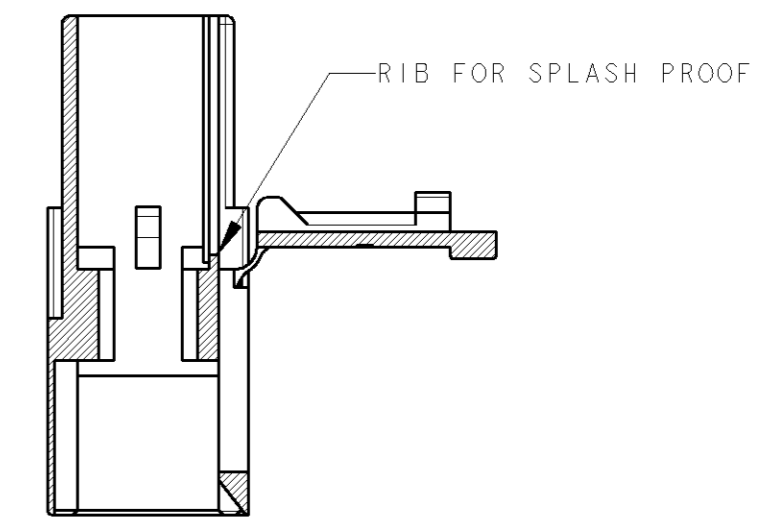
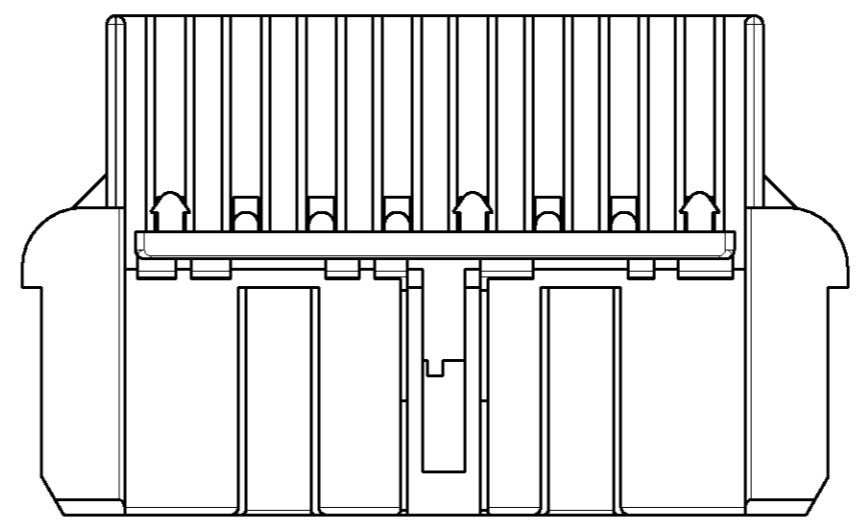


THIS DRAWING IS UNPUBLISHED. RELEASED FOR PUBLICATION 2003
 © COPYRIGHT 2003 BY TYCO ELECTRONICS CORPORATION. ALL RIGHTS RESERVED.

LOC	DIST	REVISIONS					
		P	LTR	DESCRIPTION	DATE	DWN	APVD
		-		SEE SHEET 1			



SECTION B-B



P/N 284986-2 AS SHOWN
 FOR OTHER DETAILS REFER TO SHEET 1

<small>THIS DRAWING IS A CONTROLLED DOCUMENT FOR TYCO ELECTRONICS CORPORATION IT IS SUBJECT TO CHANGE AND THE CONTROLLING ENGINEERING ORGANIZATION SHOULD BE CONTACTED FOR THE LATEST REVISION.</small>		DWN 16 JUN 2004 H. YAALI CHK C. TARTARI APVD -	tyco Electronics tyco Electronics AMP Italia S.p.A. C.so F. Cervi, 15 COLLEGNO (TO)
DIMENSIONS: mm	TOLERANCES UNLESS OTHERWISE SPECIFIED: 0 PLC ± 1 PLC ±0.3 2 PLC ± 3 PLC ± 4 PLC ± ANGLES ±° FINISH	PRODUCT SPEC 108-20256 APPLICATION SPEC - WEIGHT - CUSTOMER DRAWING	NAME 8 POS. FASTIN-FASTON Connector TAB HOUSING, RAST 5 0.8-1.0 MM THK. PANEL MOUNT VERSION SIZE A2 CAGE CODE 00779 DRAWING NO. C-284986 RESTRICTED TO - SCALE 2:1 SHEET 2 OF 2 REV C