



Chipsmall Limited consists of a professional team with an average of over 10 year of expertise in the distribution of electronic components. Based in Hongkong, we have already established firm and mutual-benefit business relationships with customers from,Europe,America and south Asia,supplying obsolete and hard-to-find components to meet their specific needs.

With the principle of “Quality Parts,Customers Priority,Honest Operation,and Considerate Service”,our business mainly focus on the distribution of electronic components. Line cards we deal with include Microchip,ALPS,ROHM,Xilinx,Pulse,ON,Everlight and Freescale. Main products comprise IC,Modules,Potentiometer,IC Socket,Relay,Connector.Our parts cover such applications as commercial,industrial, and automotives areas.

We are looking forward to setting up business relationship with you and hope to provide you with the best service and solution. Let us make a better world for our industry!



Contact us

Tel: +86-755-8981 8866 Fax: +86-755-8427 6832

Email & Skype: info@chipsmall.com Web: www.chipsmall.com

Address: A1208, Overseas Decoration Building, #122 Zhenhua RD., Futian, Shenzhen, China



Industrial 16mm Size Slim Conductive Plastic Precision Rotary Sensor

Features

- Compact Size
- Up to 3 Million Life Cycles
- 2% Precision Linearity
- Water Resistant
- Wide Temperature Range
- Solder Lug Terminal
- RoHS Compliant



Electrical and Mechanical Specifications

Resistance Range

1 K through 500 K ohms, linear

Resistance Tolerance

± 10%, ± 20%

Power Rating

0.25 watts @ 55°C

Dielectric Strength

500 VDC for 1 minute

Maximum Operating Voltage

350 VDC

Insulation Resistance

100 Megohms minimum @ 100 VDC

Rotation Angle

Total Rotational Angle : 250°
Effective Electrical Angle : 60°, 220°

Rotational Torque

IP40 : 3~30 gf-cm
IP54 & IP67 : 20~120 gf-cm

Stop Strength

9 kgf-cm minimum

Push-Pull Strength of Shaft

13.6 kg for 10 seconds

Mounting Information

Bushing Mount

Rotational life

3M Cycles (60° Effective Electrical Angle)
2M Cycles (220° Effective Electrical Angle)

Linearity

± 2%

Temperature

Operating : -40°C - 125°C
Storage : -55°C - 150°C

Solder Heat Resistance

350°C for 5 seconds

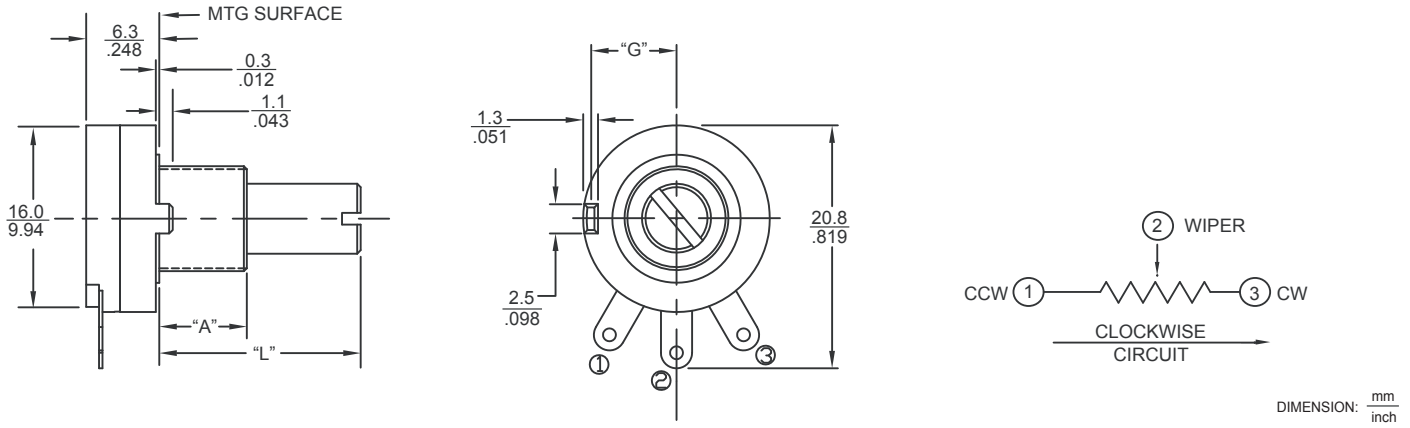
Ingress Protection Rating

IP40, IP54, IP67

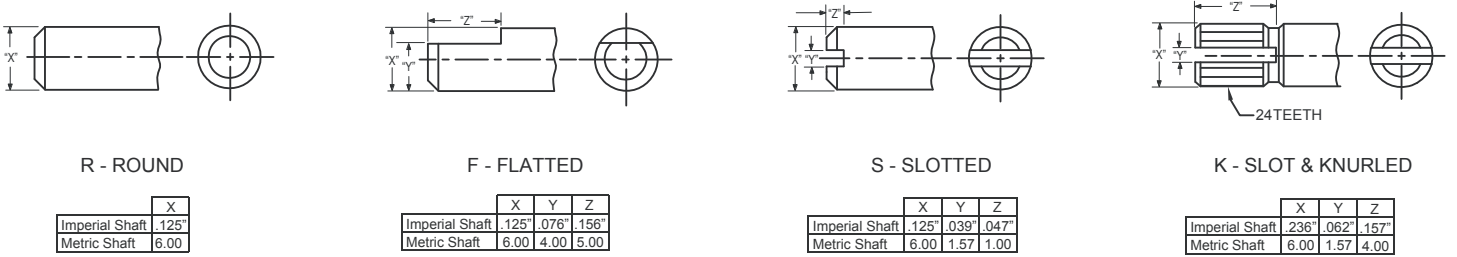
Vibration

15G, 10 to 2000 Hz

284T Metal Shaft, Bushing Mount, Solder Lug Terminal



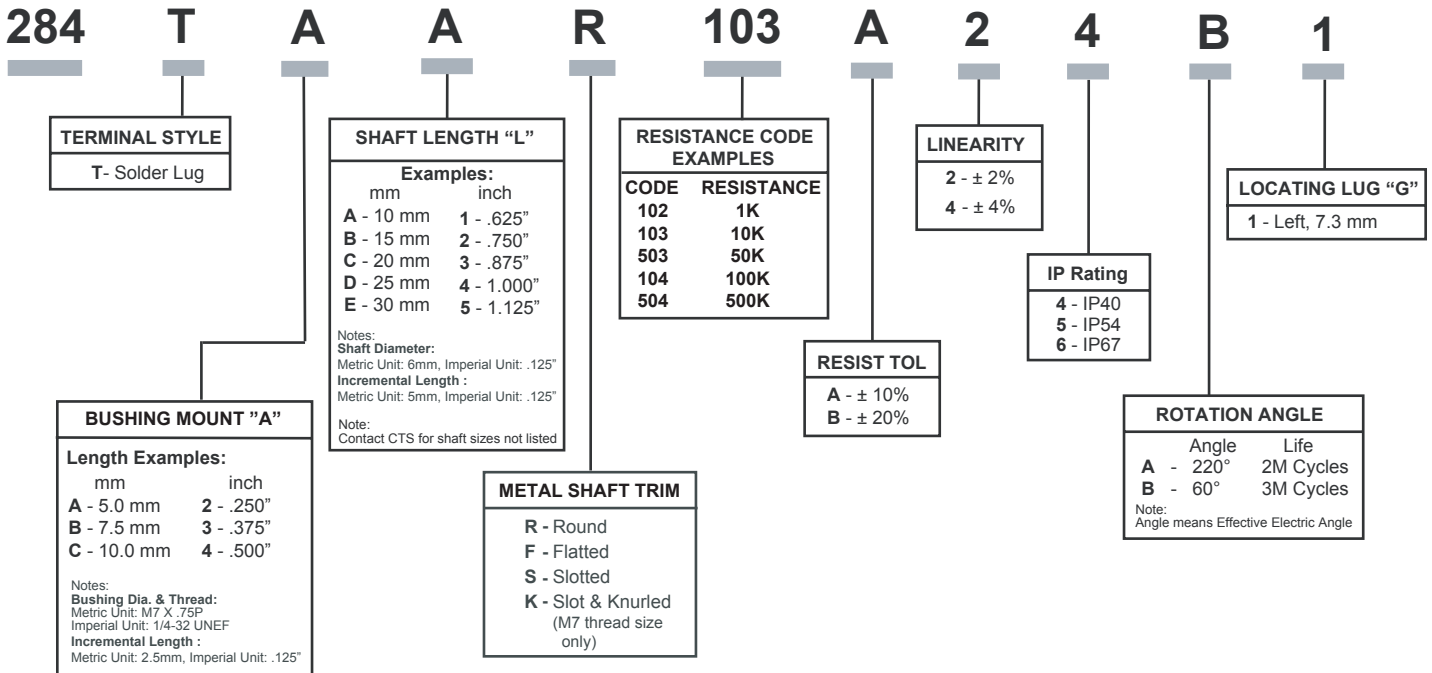
Shaft Trim



*Slot and knurled shafts available with M7 thread size only

Note: Contact CTS for shaft sizes not listed

Ordering Information



Please consult CTS for other available options.