



Chipsmall Limited consists of a professional team with an average of over 10 year of expertise in the distribution of electronic components. Based in Hongkong, we have already established firm and mutual-benefit business relationships with customers from,Europe,America and south Asia,supplying obsolete and hard-to-find components to meet their specific needs.

With the principle of "Quality Parts,Customers Priority,Honest Operation,and Considerate Service",our business mainly focus on the distribution of electronic components. Line cards we deal with include Microchip,ALPS,ROHM,Xilinx,Pulse,ON,Everlight and Freescale. Main products comprise IC,Modules,Potentiometer,IC Socket,Relay,Connector.Our parts cover such applications as commercial,industrial, and automotives areas.

We are looking forward to setting up business relationship with you and hope to provide you with the best service and solution. Let us make a better world for our industry!



Contact us

Tel: +86-755-8981 8866 Fax: +86-755-8427 6832

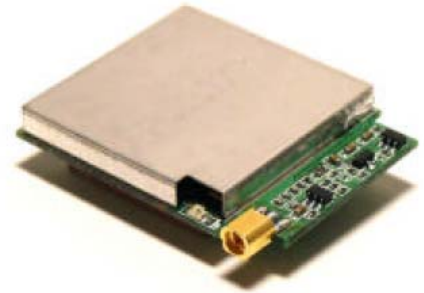
Email & Skype: info@chipsmall.com Web: www.chipsmall.com

Address: A1208, Overseas Decoration Building, #122 Zhenhua RD., Futian, Shenzhen, China





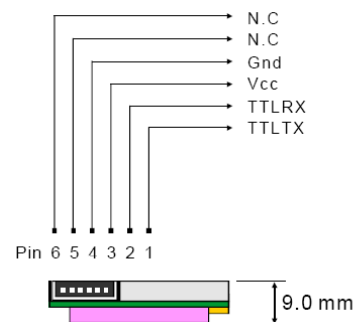
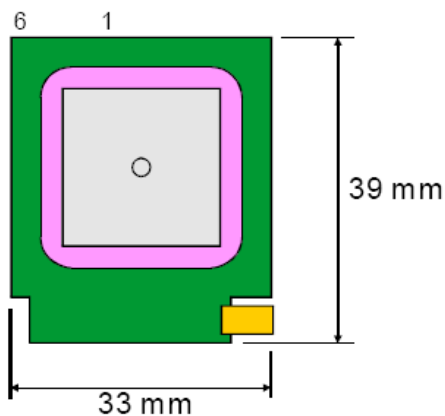
PMB-688 GPS module



PMB-688 FEATURES

- Built-in SiRFstarIII chipsets receivers give unparalleled GPS performance and precision.20 parallel satellite-tracking channels for fast acquisition and reacquisition.
- Built-in WAAS/EGNOS Demodulator.
- Low power consumption and ultra mini size only 33x39mm.
- Built-in rechargeable battery for backup memory and RTC backup.
- Support NMEA0183 v2.2 data protocol.
- Enhanced algorithms providing superior navigation performance in urban, canyon and foliage environments.
- For Car Navigation, Marine Navigation, Fleet Management, AVL and Location-Based Services, Auto Pilot, Personal Navigation or touring devices, Tracking devices/systems and Mapping devices application.
- Include RF MMCX connector(Optional: Active Antenna)

Connector Pitch 1.25 mm



PMB-688 Specifications

GPS IC	SiRFstar III
Receiver:	Tracking up to 20 satellites L1, 1575.42 MHz, C/A code
Accuracy:	Position: 2DRMS approximately 5m, WAAS support Velocity: 0.1 m/s without SA imposed. Time: $\pm 1\mu\text{sec}$
Acquisition Time:	Cold Start: 42sec (Average) Warm Start: 38sec (Average) Hot Start: 1sec (Min.)
Sensitivity:	Acquisition: -148dBm Tracking: -159 dBm
Dynamics:	Altitude: 18000m (Max.) Velocity: 515m/s (Max.) Acceleration: $\pm 4g$ (Max.)
Navigation update rate :	Once per second
Serial Port :	TTL
Baud Rate :	4800 bps (Optional 9600,19300,38400 bps)
Output Message:	NMEA0183 V2.2 GGA, GSV, GSA, RMC (optional VTG, GLL)
Datum:	WGS 84
Power supply :	DC 3.3V ~ 5V
Power Consumption :	Typical 65mA @12V
LED Function	Power on/off and Navigation
Operating Temp.:	-20°C~+70°C
Storage Temp.:	-30°C~+85°C
Humidity:	5%~95%
Antenna Type:	Built-in patch antenna
RF Connector:	MMCX type (Optional : Active Antenna)

