



Chipsmall Limited consists of a professional team with an average of over 10 year of expertise in the distribution of electronic components. Based in Hongkong, we have already established firm and mutual-benefit business relationships with customers from,Europe,America and south Asia,supplying obsolete and hard-to-find components to meet their specific needs.

With the principle of "Quality Parts,Customers Priority,Honest Operation,and Considerate Service",our business mainly focus on the distribution of electronic components. Line cards we deal with include Microchip,ALPS,ROHM,Xilinx,Pulse,ON,Everlight and Freescale. Main products comprise IC,Modules,Potentiometer,IC Socket,Relay,Connector.Our parts cover such applications as commercial,industrial, and automotives areas.

We are looking forward to setting up business relationship with you and hope to provide you with the best service and solution. Let us make a better world for our industry!



Contact us

Tel: +86-755-8981 8866 Fax: +86-755-8427 6832

Email & Skype: info@chipsmall.com Web: www.chipsmall.com

Address: A1208, Overseas Decoration Building, #122 Zhenhua RD., Futian, Shenzhen, China



Type 2 surge protection device - VAL-MS 120/3+1-FM-UD - 2856692

Please be informed that the data shown in this PDF Document is generated from our Online Catalog. Please find the complete data in the user's documentation. Our General Terms of Use for Downloads are valid (<http://download.phoenixcontact.com>)



Surge arrester consisting of base element with remote indicator contact and ground connectors, for mounting on NS 35/7.5, nominal voltage: 120 V AC, 3 + 1 circuit

Why buy this product

- With or without floating remote indication contact
- Multi-channel type 2 arresters
- Type 2 consistent plug-in surge arresters
- Mechanical keying of all slots
- Optical, mechanical status indication for the individual arresters
- Disconnect device on each individual plug



Key commercial data

Packing unit	1
Minimum order quantity	1
Catalog page	Page 36 (TT-2011)
GTIN	 4 017918 877064
Custom tariff number	85363030
Country of origin	GERMANY

Technical data

Standards

Housing material	PBT / PA
Inflammability class according to UL 94	V0
Color	black
Standards for air and creepage distances	DIN EN 60664-1
Degree of protection	IP20
Mounting type	DIN rail: 35 mm
Design	DIN rail module, two-section, divisible
Number of positions	4

Type 2 surge protection device - VAL-MS 120/3+1-FM-UD - 2856692

Technical data

Standards

Ambient temperature (operation)	-40 °C ... 80 °C
Message: Surge protection fault	Optical, remote indicator contact
Direction of action	3L-N & N-PE
Width	70.8 mm
Height	96.8 mm
Depth	65.5 mm
Pitch unit	4 Div.

Protective circuit

IEC category	II
IEC category	T2
EN type	T2
Nominal voltage UN	120 V AC (208 V AC)
Nominal voltage UN	120 V AC ... 208 V AC
Arrester rated voltage UC	150 V AC
Arrester rated voltage UC (L-N)	150 V AC
Arrester rated voltage UC (N-PE)	260 V AC
UT (TOV-proof)	175 V AC (5 s / L-N)
UT (TOV-proof)	1200 V AC (200 ms / N-PE)
Nominal frequency fN	50 Hz (60 Hz)
Ground conductor current IPE	≤ 1 µA
Standby power consumption PC	≤ 150 mVA
Max. discharge surge current I _{max} (8/20) µs	40 kA
Max. discharge surge current I _{max} (8/20) µs maximum (L-N)	40 kA
Max. discharge surge current I _{max} (8/20) µs maximum (L-PE)	40 kA
Max. discharge surge current I _{max} (8/20) µs maximum (N-PE)	40 kA
Nominal discharge surge current I _n (8/20) µs (L-N)	20 kA
Nominal discharge surge current I _n (8/20) µs (L-PE)	20 kA
Nominal discharge surge current I _n (8/20) µs (N-PE)	20 kA
Lightning test current (10/350) µs, peak value limp	12 kA (N-PE)
Impulse operate voltage at 6 kV (1.2/50)µs (N-PE)	≤ 1.5 kV
Protection level UP (L-N)	≤ 0.85 kV
Protection level UP (L-PE)	≤ 1.05 kV
Protection level UP (N-PE)	≤ 1.5 kV
Residual voltage (L-N)	≤ 0.85 kV (at I _n)
Residual voltage (L-N)	≤ 0.75 kV (at 10 kA)
Residual voltage (L-N)	≤ 0.7 kV (at 5 kA)
Residual voltage (L-N)	≤ 0.65 kV (at 3 kA)
Residual voltage (L-PE)	≤ 1.05 kV (at I _n)
Residual voltage (L-PE)	≤ 0.85 kV (at 10 kA)
Residual voltage (L-PE)	≤ 0.8 kV (at 5 kA)
Residual voltage (L-PE)	≤ 0.7 kV (at 3 kA)

Type 2 surge protection device - VAL-MS 120/3+1-FM-UD - 2856692

Technical data

Protective circuit

Residual voltage (N-PE)	≤ 0.4 kV (at I _n)
Residual voltage (N-PE)	≤ 0.25 kV (at 10 kA)
Residual voltage (N-PE)	≤ 0.15 kV (at 5 kA)
Residual voltage (N-PE)	≤ 0.1 kV (at 3 kA)
Response time (L-N)	≤ 25 ns
Response time (L-PE)	≤ 100 ns
Response time (N-PE)	≤ 100 ns
Max. required backup fuse with branch wiring	125 A (gL)
Short-circuit resistance IP with max. backup fuse (effective)	25 kA
Follow current quenching capacity I _f (N-PE)	100 A (260 V)

Connection, protective circuit

Connection method	Screw connection
Connection type IN	Biconnect screw terminal block
Connection type OUT	Biconnect screw terminal block
Screw thread	M5
Tightening torque	4.5 Nm
Stripping length	14.5 mm
Conductor cross section stranded min.	0.5 mm ²
Conductor cross section stranded max.	25 mm ²
Conductor cross section solid min.	0.5 mm ²
Conductor cross section solid max.	35 mm ²
Conductor cross section AWG/kcmil min.	20
Conductor cross section AWG/kcmil max	2

Remote indicator contact

Connection name	Remote fault indicator contact
Switching function	PDT contact
Connection method	Screw connection
Screw thread	M2
Tightening torque	0.25 Nm
Stripping length	7 mm
Conductor cross section stranded min.	0.14 mm ²
Conductor cross section stranded max.	1.5 mm ²
Conductor cross section solid min.	0.14 mm ²
Conductor cross section solid max.	1.5 mm ²
Conductor cross section AWG/kcmil min.	28
Conductor cross section AWG/kcmil max	16
Maximum operating voltage U _{max} AC	250 V AC
Maximum operating voltage U _{max} DC	30 V DC
Max. operating current I _{max}	0.75 A AC (250 V AC)
Max. operating current I _{max}	3 A AC (125 V AC)

Type 2 surge protection device - VAL-MS 120/3+1-FM-UD - 2856692

Technical data

Remote indicator contact

Max. operating current I _{max}	2 A DC (30 V DC)
Min. permissible switching capacity	0.12 VA (12 V, 10 mA)

Standards

Standards/regulations	IEC 61643-1 2005
Standards/regulations	EN 61643-11/A11 2007

Classifications

eclass

eCl@ss 4.0	27140201
eCl@ss 4.1	27130801
eCl@ss 5.0	27130801
eCl@ss 5.1	27130801
eCl@ss 6.0	27130805
eCl@ss 7.0	27130805

etim

ETIM 2.0	EC000941
ETIM 3.0	EC000941
ETIM 4.0	EC000941

unspsc

UNSPSC 6.01	30212010
UNSPSC 7.0901	39121610
UNSPSC 11	39121610
UNSPSC 12.01	39121610
UNSPSC 13.2	39121620

Approvals

Approvals

Approvals

UL Recognized / KEMA-KEUR / cUL Recognized / GOST / cULus Recognized

Ex Approvals

Approvals submitted

Type 2 surge protection device - VAL-MS 120/3+1-FM-UD - 2856692

Approvals

Approval details



Accessories

Accessories

Bridges

Wiring bridge - MPB 18/4- 8 - 2809283



Wiring bridge for modules with connecting pitch 17.5 mm, 4-phase, 8-pos.

Wiring bridge - MPB 18/4-12 - 2809296



Wiring bridge for modules with connecting pitch 17.5 mm, 4-phase, 12-pos.

Type 2 surge protection device - VAL-MS 120/3+1-FM-UD - 2856692

Accessories

Wiring bridge - MPB 18/1- 2 - 2809209



Wiring bridge for modules with connecting pitch 17.5 mm, 1-phase, 2-pos.

Wiring bridge - MPB 18/1- 3 - 2809212



Wiring bridge for modules with connecting pitch 17.5 mm, 1-phase, 3-pos.

Wiring bridge - MPB 18/1- 4 - 2809225



Wiring bridge for modules with connecting pitch 17.5 mm, 1-phase, 4-pos.

Wiring bridge - MPB 18/1- 6 - 2748564



Wiring bridge for modules with connecting pitch 17.5 mm, 1-phase, 6-pos.

Wiring bridge - MPB 18/1- 7 BU - 2856278



Wiring bridge for modules with connecting pitch 17.5 mm, 1-phase, 7-pos., color: Blue

Type 2 surge protection device - VAL-MS 120/3+1-FM-UD - 2856692

Accessories

Wiring bridge - MPB 18/1- 8 BU - 2858470



Wiring bridge for modules with connecting pitch 17.5 mm, 1-phase, 8-pos., color: Blue

Wiring bridge - MPB 18/1- 8 - 2748577



Wiring bridge for modules with connecting pitch 17.5 mm, 1-phase, 8-pos.

Wiring bridge - MPB 18/1- 9 - 2748580



Wiring bridge for modules with connecting pitch 17.5 mm, 1-phase, 9-pos.

Wiring bridge - MPB 18/1-12 - 2748593



Wiring bridge for modules with connecting pitch 17.5 mm, 1-phase, 12-pos.

Wiring bridge - MPB 18/1-57 - 2809238



Wiring bridge for modules with connecting pitch 17.5 mm, 1-phase, 57-pos.

Type 2 surge protection device - VAL-MS 120/3+1-FM-UD - 2856692

Accessories

Wiring bridge - MPB 18/3- 6 - 2809241



Wiring bridge for modules with connecting pitch 17.5 mm, 3-phase, 6-pos.

Wiring bridge - MPB 18/3- 9 - 2809254



Wiring bridge for modules with connecting pitch 17.5 mm, 3-phase, 9-pos.

Wiring bridge - MPB 18/4- 8 - 2809283



Wiring bridge for modules with connecting pitch 17.5 mm, 4-phase, 8-pos.

Wiring bridge - MPB 18/4-12 - 2809296



Wiring bridge for modules with connecting pitch 17.5 mm, 4-phase, 12-pos.

Wiring bridge - MPB F200X16/ 1GS - 2818339



Wiring bridge flexible, diameter 16 mm², with a fork-type cable lug on one side, length: 200 mm

Type 2 surge protection device - VAL-MS 120/3+1-FM-UD - 2856692

Accessories

Wiring bridge - MPB F400X16/ 1GS - 2818342



Wiring bridge flexible, diameter 16 mm², with a fork-type cable lug on one side, length: 400 mm

Wiring bridge - MPB F600X16/ 1GS - 2818355



Wiring bridge flexible, diameter: 16 mm², with a fork-type cable lug on one side, length: 600 mm

Marking

Zack marker strip - ZBN 18,LGS:ERDE - 2749589



Zack marker strip, Strip, white, Labeled, Horizontal: Grounding symbol, Mounting type: Snap into tall marker groove, For terminal block width: 18 mm, Lettering field: 18 x 5 mm

Zack marker strip - ZBN 18,LGS:L1-N,ERDE - 2749576



Zack marker strip, Strip, white, Labeled, Horizontal: L1, L2, L3, N, GND, Mounting type: Snap into tall marker groove, For terminal block width: 18 mm, Lettering field: 18 x 5 mm

Zack marker strip - ZBN 18:UNBEDRUCKT - 2809128



Zack marker strip, Strip, white, Unlabeled, Can be labeled with: Plotter, Mounting type: Snap into tall marker groove, For terminal block width: 18 mm, Lettering field: 18 x 5 mm

Type 2 surge protection device - VAL-MS 120/3+1-FM-UD - 2856692

Accessories

Marker pen - B-STIFT - 1051993



Marker pen, for manual labeling of unprinted Zack strips, smear-proof and waterproof, line thickness 0.5 mm

Feed-through terminal block - DK-BIC-35 - 2749880



Feed-through terminal block for VAL and FLT applications

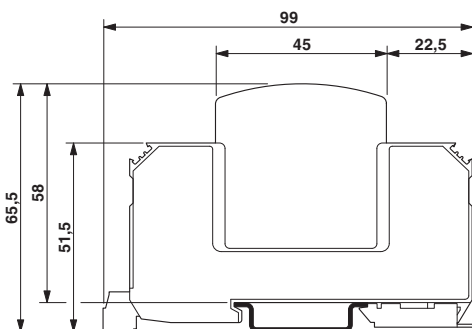
Type 2 surge protection connector - VAL-MS 120-UD ST - 2858292



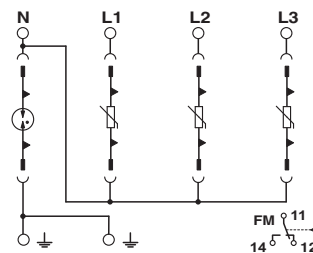
Surge protection connector type 2 with high-capacity varistor for VAL-MS base element, thermal monitoring, visual fault warning. Design: 120 V AC

Drawings

Dimensioned drawing



Circuit diagram



Type 2 surge protection device - VAL-MS 120/3+1-FM-UD - 2856692

Application drawing

