



Chipsmall Limited consists of a professional team with an average of over 10 year of expertise in the distribution of electronic components. Based in Hongkong, we have already established firm and mutual-benefit business relationships with customers from,Europe,America and south Asia,supplying obsolete and hard-to-find components to meet their specific needs.

With the principle of “Quality Parts,Customers Priority,Honest Operation,and Considerate Service”,our business mainly focus on the distribution of electronic components. Line cards we deal with include Microchip,ALPS,ROHM,Xilinx,Pulse,ON,Everlight and Freescale. Main products comprise IC,Modules,Potentiometer,IC Socket,Relay,Connector.Our parts cover such applications as commercial,industrial, and automotives areas.

We are looking forward to setting up business relationship with you and hope to provide you with the best service and solution. Let us make a better world for our industry!



## Contact us

Tel: +86-755-8981 8866 Fax: +86-755-8427 6832

Email & Skype: info@chipsmall.com Web: www.chipsmall.com


Address: A1208, Overseas Decoration Building, #122 Zhenhua RD., Futian, Shenzhen, China



## C-TV-SAT

Order No.: 2856993

<http://eshop.phoenixcontact.de/phoenix/treeViewClick.do?UID=2856993>Attachment plug with surge protection for antenna inputs with F  
connector

Commercial data	
GTIN (EAN)	 4 017918 915179
sales group	J401
Pack	1 pcs.
Customs tariff	85363010
Catalog page information	Page 177 (TT-2009)

**Product notes**WEEE/RoHS-compliant since:  
07/07/2006

<http://www.download.phoenixcontact.com>  
Please note that the data given here has been taken from the online catalog. For comprehensive information and data, please refer to the user documentation. The General Terms and Conditions of Use apply to Internet downloads.

Technical data	
<b>General</b>	
Housing material	PA
Inflammability class acc. to UL 94	V0
Color	black

Standards for air and creepage distances	DIN VDE 0110-1
	IEC 60664-1: 1992-10
Surge voltage category	II
Pollution degree	2
Total surge current (8/20) $\mu$ s	2.5 kA
Ambient temperature (operation)	-25 °C ... 75 °C
Mounting type	Connection-specific intermediate plugging
Design	Attachment plug
Number of positions	1
Degree of protection	IP20
Direction of action	Line-Shield/Earth Ground
Width	27.00 mm
Height	69.00 mm
Length	40.00 mm

**Protective circuit**

IEC category	C1
	C2
	C3
	D1
Maximum continuous operating voltage $U_c$	180 V DC
	130 V AC
Maximum continuous voltage $U_c$ (wire-shield)	180 V DC
Nominal current $I_N$	1.5 A (25°C)
Operating effective current $I_c$ at $U_c$	$\leq 1 \mu$ A
Nominal discharge surge current $I_n$ (8/20) $\mu$ s (Core-Shield)	2.5 kA
Total surge current (8/20) $\mu$ s	2.5 kA
Nominal pulse current $I_{an}$ (10/1000) $\mu$ s (Core-Shield)	120 A
Output voltage limitation at 1 kV/ $\mu$ s (Core-Shield) spike	$\leq 600$ V
Output voltage limitation at 1 kV/ $\mu$ s (Core-Shield) static	$\leq 600$ V
Residual voltage at $I_n$ , (conductor-shield)	$\leq 30$ V
Protection level $U_p$ (Core-Shield)	$\leq 700$ V (C2 (4 kV/2 kA))
Response time $t_A$ (Core-GND)	$\leq 100$ ns

Input attenuation aE, asym.	0.5 dB ( $\leq$ 2.4 GHz)
Cut-off frequency fg (3 dB), asym. (shield) in 75 Ohm system	> 3 GHz
Frequency range	950 MHz ... 2.5 GHz
Capacity asymmetrical (shield)	Typ. 10 pF
Surge carrying capacity in acc. with IEC 61643-21 (Core-Shield)	C2 (4 kV / 2 kA)
	C3 (100 A)
	D1 (500 A)
Alternating current carrying capacity in acc. with IEC 61643-21 (Core-Shield)	5 A - 1 s

**Connection data**

Type of connection	F connector
Connection type IN	F connector, female
Connection type OUT	F connector, female

**Connection, protective circuit**

Standards/regulations	IEC 61643-21
	EN 50083 - CLASS A

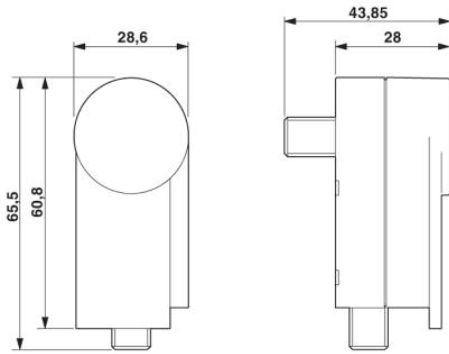
**Certificates / Approvals**

Certification

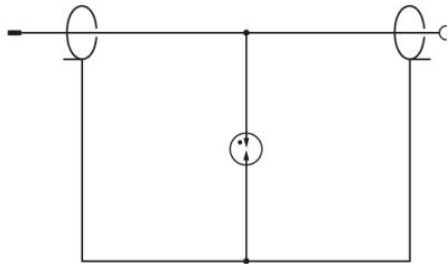
GOST

## Diagrams/Drawings

### Dimensioned drawing



### Circuit diagram



**Address**

PHOENIX CONTACT Deutschland GmbH  
Flachmarktstr. 8  
32825 Blomberg, Germany  
Phone +49 5235 3 12000  
Fax +49 5235 3 41200  
<http://www.phoenixcontact.de>



© 2010 Phoenix Contact  
Technical modifications reserved;