



Chipsmall Limited consists of a professional team with an average of over 10 year of expertise in the distribution of electronic components. Based in Hongkong, we have already established firm and mutual-benefit business relationships with customers from,Europe,America and south Asia,supplying obsolete and hard-to-find components to meet their specific needs.

With the principle of “Quality Parts,Customers Priority,Honest Operation,and Considerate Service”,our business mainly focus on the distribution of electronic components. Line cards we deal with include Microchip,ALPS,ROHM,Xilinx,Pulse,ON,Everlight and Freescale. Main products comprise IC,Modules,Potentiometer,IC Socket,Relay,Connector.Our parts cover such applications as commercial,industrial, and automotives areas.

We are looking forward to setting up business relationship with you and hope to provide you with the best service and solution. Let us make a better world for our industry!



Contact us

Tel: +86-755-8981 8866 Fax: +86-755-8427 6832

Email & Skype: info@chipsmall.com Web: www.chipsmall.com

Address: A1208, Overseas Decoration Building, #122 Zhenhua RD., Futian, Shenzhen, China




FLT-CP-1C-350

Order No.: 2859741

<http://eshop.phoenixcontact.de/phoenix/treeViewClick.do?UID=2859741>

Pluggable lightning current and surge arrester combination, in acc. with typ 1+2 / Class I+II / B+C arresters. Arresters coordinated following the AEC principle, for 1-phase power supply networks with PE and N (L1, PEN) installed in one cable.

**Commercial data**

GTIN (EAN)	 4 017918 956462
sales group	J000
Pack	1 pcs.
Customs tariff	85369010
Catalog page information	Page 30 (TT-2011)

Product notes

WEEE/RoHS-compliant since:
06/08/2006



<http://www.download.phoenixcontact.com>
Please note that the data given here has been taken from the online catalog. For comprehensive information and data, please refer to the user documentation. The General Terms and Conditions of Use apply to Internet downloads.

Technical data**Standards**

Housing material	PBT
Inflammability class acc. to UL 94	V0
Color	gray

Standards for air and creepage distances	DIN VDE 0110-1
	IEC 60664-1: 1992-10
	IEC 61643-1
Surge voltage category	III
Pollution degree	2
Degree of protection	IP20
Mounting type	DIN rail: 35 mm
Design	DIN rail module, two-section, divisible
Number of positions	1
Ambient temperature (operation)	-40 °C ... 80 °C
Message: Surge protection fault	Optical, remote indicator contact
Direction of action	1L-N/PE
Width	35.80 mm
Height	70.00 mm
Length	95.80 mm
Pitch unit	2 Div.

Protective circuit

IEC category	I + II
	T1 + T2
EN type	T1 + T2
Lightning protection class	III/IV /50 kA (TN-C)
Nominal voltage U_N	240 V AC (230 V AC ... 240 V AC)
Arrester rated voltage U_C (L-N)	350 V AC
Arrester rated voltage U_C (L-PEN)	350 V AC
Nominal load current I_L	125 A ($\leq 55^\circ\text{C}$)
Nominal discharge surge current I_n (8/20) μs (L-N)	25 kA
Nominal discharge surge current I_n (8/20) μs (L-PEN)	25 kA
Lightning test current (10/350) μs , charge	12.5 As
Lightning test current (10/350) μs , specific energy	160.00 kJ/ Ω
Lightning test current (10/350) μs , peak value I_{imp}	25 kA
Protection level U_P (L-N)	≤ 1.5 kV
Protection level U_P (L-PEN)	≤ 1.5 kV

Residual voltage (L-N)	≤ 1.3 kV
	≤ 1.1 kV (10 kA)
	≤ 1 kV (5 kA)
Residual voltage (L-PEN)	≤ 1.3 kV
	≤ 1.1 kV (10 kA)
	≤ 1 kV (5 kA)
	≤ 1 kV (3 kA)
Clamping voltage SVR (L-N)	≤ 0.9 kV
Clamping voltage SVR (L-PEN)	≤ 0.9 kV
Response time (L-N)	≤ 25 ns
	≤ 25 ns
Max. required backup fuse with branch wiring	315 A (gL / gG)
Max. required backup fuse with V-type through wiring	125 A (gL / gG)
Recommended backup fuse maximum	160 A (gL/gG, 125 A with serial through wiring)
Short-circuit resistance I _p with max. backup fuse (effective)	25 kA
Follow current quenching capacity I _f (L-N)	25 kA (264 V AC)
	3 kA (350 V AC)
Follow current quenching capacity I _f (L-PE)	25 kA (264 V AC)
	3 kA (350 V AC)

Connection, protective circuit

Connection method	Screw terminal blocks
Connection type IN	Biconnect screw terminal block
Connection type OUT	Biconnect screw terminal block
Connection method	Biconnect terminal block
Screw thread	M5
Tightening torque	4.5 Nm
Stripping length	18 mm
Conductor cross section stranded min.	2.5 mm ²
Conductor cross section stranded max.	25 mm ²
Conductor cross section solid min.	2.5 mm ²
Conductor cross section solid max.	35 mm ²
Conductor cross section AWG/kcmil min.	13
Conductor cross section AWG/kcmil max	2

Remote indicator contact

Connection name	Remote fault indicator contact
Switching function	PDT contact
Connection method	Plug-in/screw connection via COMBICON
Screw thread	M2
Tightening torque	0.25 Nm
Stripping length	7 mm
Conductor cross section stranded min.	0.14 mm ²
Conductor cross section stranded max.	1.5 mm ²
Conductor cross section solid min.	0.14 mm ²
Conductor cross section solid max.	1.5 mm ²
Conductor cross section AWG/kcmil min.	28
Conductor cross section AWG/kcmil max	16
Maximum operating voltage U _{max} AC	250 V AC
Maximum operating voltage U _{max} DC	125 V DC
Max. operating current I _{max}	1 A AC (inductive)
	1 A AC (ohmic)
	30 mA DC (inductive)
	200 mA DC (ohmic)

Standards

Standards/regulations	IEC 61643-1 2002
	EN 61643-11 2005
	UL 1449

Certificates / Approvals



Certification

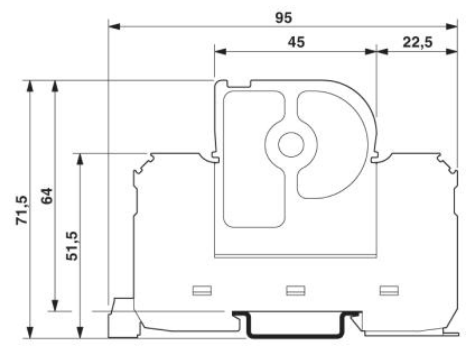
CB, CCA, CUL, GOST, KEMA, UL

Accessories

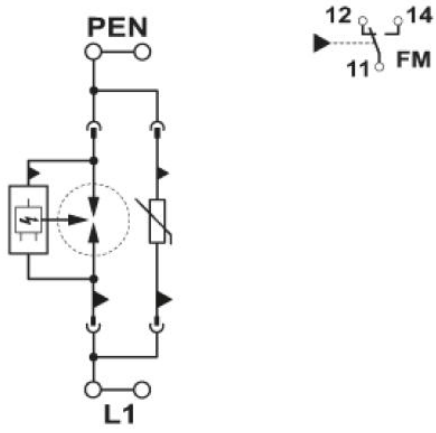
Item	Designation	Description
General		
2859602	VAL-CP-350-ST	Type 2 arrester replacement plug (surge arrester) with high-capacity varistor with low leakage current.
Marking		
1051993	B-STIFT	Marker pen, for manual labeling of unprinted Zack strips, smear-proof and waterproof, line thickness 0.5 mm
0803595	ZBFM 5/WH:UNBEDRUCKT	Zack marker sheet, flat, unprinted: 120-section, 10 strips à 12 markers, sufficient for 120 terminal blocks, for all terminal blocks, pitch 5.2 mm, labeling with M-PEN or CMS system, color: white
2749589	ZBN 18,LGS:ERDE	Marking labels, printed horizontally, strips with 5 labels, GND (grounding symbol), color: White
2749576	ZBN 18,LGS:L1-N,ERDE	Marker labels, printed horizontally, strips with 5 labels, L1, L2, L3, N, GND, color: white
0800763	ZBN 18:SO/CMS	Marker labels, 5-section, special printing, labeled according to customer requirements (Please specify the required marking with order), for terminal width: 17.5 mm, color: White
2809128	ZBN 18:UNBEDRUCKT	Unprinted marker labels, strips with 5 labels for individual labeling with M-PEN or CMS system, for terminal block width: 17.5 mm, color: White

Diagrams/Drawings

Dimensioned drawing



Circuit diagram



Address

PHOENIX CONTACT Inc., USA
586 Fulling Mill Road
Middletown, PA 17057, USA
Phone (800) 888-7388
Fax (717) 944-1625
<http://www.phoenixcon.com>



© 2011 Phoenix Contact
Technical modifications reserved;