



Chipsmall Limited consists of a professional team with an average of over 10 year of expertise in the distribution of electronic components. Based in Hongkong, we have already established firm and mutual-benefit business relationships with customers from,Europe,America and south Asia,supplying obsolete and hard-to-find components to meet their specific needs.

With the principle of “Quality Parts,Customers Priority,Honest Operation,and Considerate Service”,our business mainly focus on the distribution of electronic components. Line cards we deal with include Microchip,ALPS,ROHM,Xilinx,Pulse,ON,Everlight and Freescale. Main products comprise IC,Modules,Potentiometer,IC Socket,Relay,Connector.Our parts cover such applications as commercial,industrial, and automotives areas.

We are looking forward to setting up business relationship with you and hope to provide you with the best service and solution. Let us make a better world for our industry!



Contact us

Tel: +86-755-8981 8866 Fax: +86-755-8427 6832

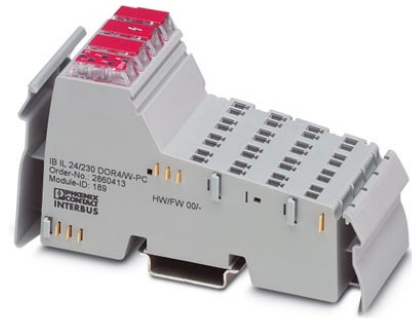
Email & Skype: info@chipsmall.com Web: www.chipsmall.com

Address: A1208, Overseas Decoration Building, #122 Zhenhua RD., Futian, Shenzhen, China



IB IL 24/230 DOR4/W-PC


Order No.: 2860413



<http://eshop.phoenixcontact.de/phoenix/treeViewClick.do?UID=2860413>

Inline digital output terminal block, without accessories, 4 relay PDT contacts, 5 - 253 V AC, 3 A



Commercial data	
GTIN (EAN)	 4 017918 890353
sales group	K411
Pack	1 pcs.
Customs tariff	85389091
Catalog page information	Page 71 (AX-2007)

Product notes

WEEE/RoHS-compliant since:
12/08/2009



<http://www.download.phoenixcontact.com>
Please note that the data given here has been taken from the online catalog. For comprehensive information and data, please refer to the user documentation. The General Terms and Conditions of Use apply to Internet downloads.

Technical data

Interface

Name	INTERBUS local bus
Type of connection	Via data marshalling
Transmission speed	500 kBaud

Digital outputs

Output name	Relay output
Type of connection	Spring-cage connection

Connection method	Floating SPDT relay contact
Number of outputs	4
Protective circuit	Overload protection, short-circuit protection of outputs
Maximum output current per channel	3 A

Power supply for module electronics

Supply voltage	24 V DC (nominal value)
Supply voltage range	19.2 V DC ... 30 V DC
Communications power U_L	7.5 V (via voltage jumper)
Current consumption	max. 22 mA (from the local bus OFF)
Power consumption	max. 0.17 W (from the local bus OFF)

General data

Width	48.8 mm
Height	119.8 mm
Depth	71.5 mm
Note on dimensions	Housing dimensions
Weight	138 g
Note on weight specifications	Without plug
Mounting type	DIN rail
Ambient temperature (operation)	-25 °C ... 55 °C
Ambient temperature (storage/transport)	-25 °C ... 85 °C
Permissible humidity (operation)	75 % ... 85 % (in the range of -25°C ... +55°C, appropriate measures against increased humidity (> 85%) must be taken.)
Permissible humidity (storage/transport)	75 % ... 85 % (slight temporary condensation may sometimes appear on the housing)
Air pressure (operation)	70 kPa ... 106 kPa (up to 3000 m above sea level)
Air pressure (storage/transport)	70 kPa ... 106 kPa (up to 3000 m above sea level)
Degree of protection	IP20
Protection class	I, IEC 61140, EN 61140, VDE 0140-1
Test section	Relay contact / Bus logics 4 kV 50 Hz 1 min
	Contact to contact 1 kV 50 Hz 1 min
	Contact / PE 1 kV 50 Hz 1 min

Inline potential routing

Communications power U_L	7.5 V
Current consumption from U_L	max. 187 mA
Current consumption from U_{ANA}	0 A DC

Certificates / Approvals



Certification

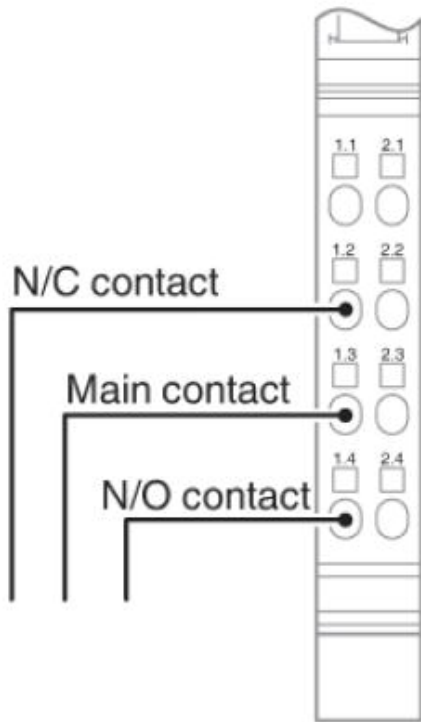
CUL, GOST, UL

Accessories

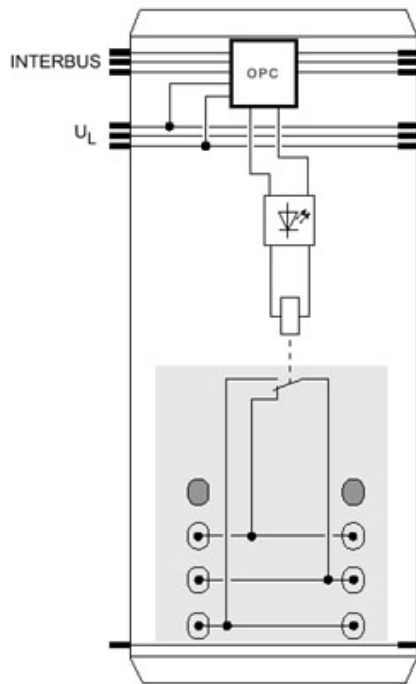
Item	Designation	Description
General		
2742641	IB IL DOR LV-SET	Inline distance terminal, without accessories
2742641	IB IL DOR LV-SET	Inline distance terminal, without accessories
2861645	IB IL DOR LV-SET-PAC	Inline distance terminal, complete with accessories
Marking		
0809492	ESL 62X10	Insert strip for laser printer, lettering field: 62 x 10 mm
0809502	ESL 62X46	Insert strip for laser printer, lettering field: 62 x 46 mm
2727501	IB IL FIELD 2	Labeling field, width: 12.2 mm
2727515	IB IL FIELD 8	Labeling field, width: 48.8 mm
Plug/Adapter		
2742667	IB IL DOR LV-PLSET	Connector set for distance terminal
2740290	IB IL SCN-8-AC-REL	Plug, for digital 1, 2 or 8-channel Inline terminals with AC voltage

Diagrams/Drawings

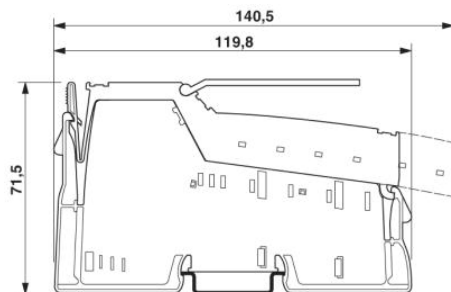
Connection diagram



Block diagram



Dimensioned drawing



Address

PHOENIX CONTACT Deutschland GmbH
Flachmarktstr. 8
32825 Blomberg, Germany
Phone +49 5235 3 12000
Fax +49 5235 3 41200
<http://www.phoenixcontact.de>



© 2011 Phoenix Contact
Technical modifications reserved;