



Chipsmall Limited consists of a professional team with an average of over 10 year of expertise in the distribution of electronic components. Based in Hongkong, we have already established firm and mutual-benefit business relationships with customers from,Europe,America and south Asia,supplying obsolete and hard-to-find components to meet their specific needs.

With the principle of "Quality Parts,Customers Priority,Honest Operation,and Considerate Service",our business mainly focus on the distribution of electronic components. Line cards we deal with include Microchip,ALPS,ROHM,Xilinx,Pulse,ON,Everlight and Freescale. Main products comprise IC,Modules,Potentiometer,IC Socket,Relay,Connector.Our parts cover such applications as commercial,industrial, and automotives areas.

We are looking forward to setting up business relationship with you and hope to provide you with the best service and solution. Let us make a better world for our industry!



## Contact us

Tel: +86-755-8981 8866 Fax: +86-755-8427 6832

Email & Skype: info@chipsmall.com Web: www.chipsmall.com

Address: A1208, Overseas Decoration Building, #122 Zhenhua RD., Futian, Shenzhen, China



# IB IL 24 SEG-PAC


Order No.: 2861344



<http://eshop.phoenixcontact.de/phoenix/treeViewClick.do?UID=2861344>

Inline segment terminal block, complete with accessories (connector and labeling field), 24 V DC, without fuse



Commercial data	
GTIN (EAN)	 4 017918 894283
sales group	K417
Pack	1 pcs.
Customs tariff	85389091
Catalog page information	Page 268 (AX-2009)

### Product notes

WEEE/RoHS-compliant since:  
07/26/2006



<http://www.download.phoenixcontact.com>  
Please note that the data given here has been taken from the online catalog. For comprehensive information and data, please refer to the user documentation. The General Terms and Conditions of Use apply to Internet downloads.

## Technical data

Interfaces	
Type of connection	Inline potential distributor
Interface	Supply voltage
Power supply	
I/O voltage	24 V DC

Peripherals voltage range	19.2 V DC ... 30 V DC
Max. current consumption	6 A (8 A)

**General data**

Type of protection	Overload protection
Protective circuit/component	Fuse
Weight	42 g
Number of connectors	1
Width	12.2 mm
Height	119.8 mm
Depth	71.5 mm

**Inline potential routing**

Current consumption from $U_M$	max. 8 A (nominal value)
Segment supply voltage $U_s$	24 V DC
Power supply at $U_s$	max. 8 A (nominal value)

**Certificates / Approvals**



Certification	CUL, GOST, UL
Certification Ex:	CUL-EX LIS, UL-EX LIS

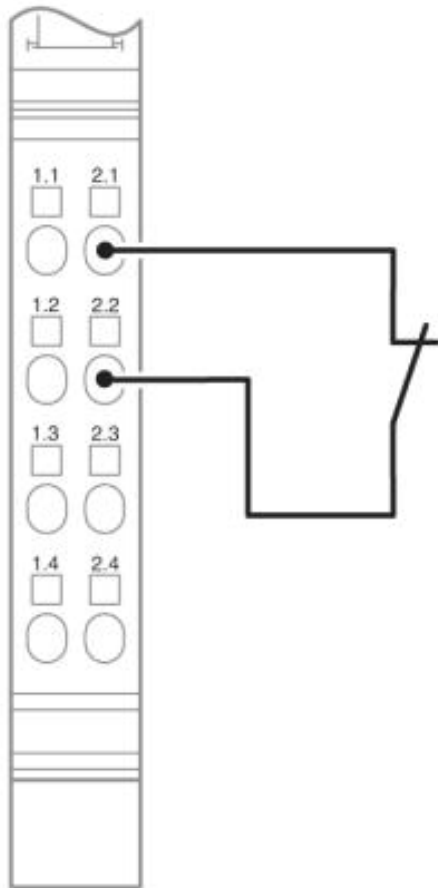
**Accessories**

Item	Designation	Description
<b>Marking</b>		
0809492	ESL 62X10	Insert strip for laser printer, lettering field: 62 x 10 mm
2727501	IB IL FIELD 2	Labeling field, width: 12.2 mm
<b>Plug/Adapter</b>		
2727637	IB IL SCN-PWR IN-CP	Connector, colored, for Inline power and segment terminal blocks

**Diagrams/Drawings**

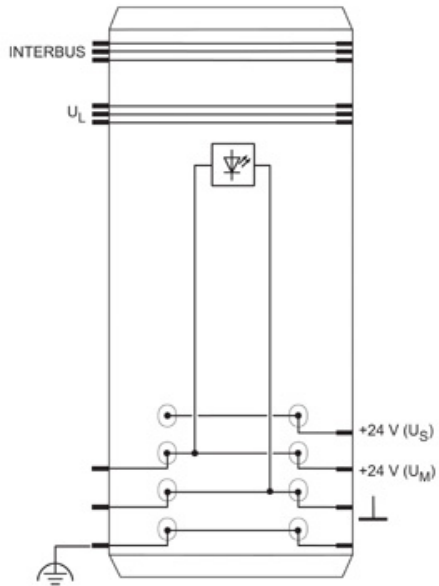
Connection diagram

---



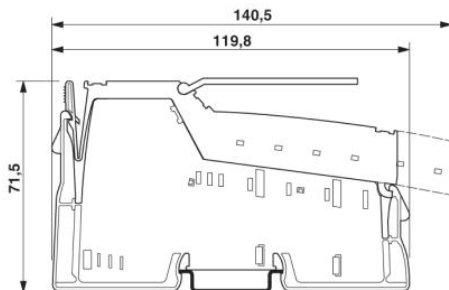
Block diagram

---



Dimensioned drawing

---



**Address**

PHOENIX CONTACT Deutschland GmbH  
Flachmarktstr. 8  
32825 Blomberg, Germany  
Phone +49 5235 3 12000  
Fax +49 5235 3 41200  
<http://www.phoenixcontact.de>



© 2011 Phoenix Contact  
Technical modifications reserved;