



Chipsmall Limited consists of a professional team with an average of over 10 year of expertise in the distribution of electronic components. Based in Hongkong, we have already established firm and mutual-benefit business relationships with customers from,Europe,America and south Asia,supplying obsolete and hard-to-find components to meet their specific needs.

With the principle of “Quality Parts,Customers Priority,Honest Operation,and Considerate Service”,our business mainly focus on the distribution of electronic components. Line cards we deal with include Microchip,ALPS,ROHM,Xilinx,Pulse,ON,Everlight and Freescale. Main products comprise IC,Modules,Potentiometer,IC Socket,Relay,Connector.Our parts cover such applications as commercial,industrial, and automotives areas.

We are looking forward to setting up business relationship with you and hope to provide you with the best service and solution. Let us make a better world for our industry!



Contact us

Tel: +86-755-8981 8866 Fax: +86-755-8427 6832

Email & Skype: info@chipsmall.com Web: www.chipsmall.com

Address: A1208, Overseas Decoration Building, #122 Zhenhua RD., Futian, Shenzhen, China




IB IL AI 8/IS-PAC

Order No.: 2861661



<http://eshop.phoenixcontact.de/phoenix/treeViewClick.do?UID=2861661>

Inline analog input terminal, complete with accessories (connector and labeling field), 8 inputs, 0-20 mA, 4-20 mA, 0-40 mA, ± 20 mA, ± 40 mA, 2 and 3-wire connection method

Commercial data	
GTIN (EAN)	 4 017918 894504
sales group	K412
Pack	1 pcs.
Customs tariff	85389091
Catalog page information	Page 281 (AX-2009)

Product notes

WEEE/RoHS-compliant since:
07/03/2007



<http://www.download.phoenixcontact.com>
Please note that the data given here has been taken from the online catalog. For comprehensive information and data, please refer to the user documentation. The General Terms and Conditions of Use apply to Internet downloads.

Technical data

General data	
Width	48.8 mm
Height	136.8 mm
Depth	71.5 mm

Weight	125 g
Mounting type	DIN rail
Ambient temperature (operation)	-25 °C ... 55 °C
Ambient temperature (storage/transport)	-25 °C ... 85 °C
Permissible humidity (operation)	10 % ... 95 % (according to DIN EN 61131-2)
Permissible humidity (storage/transport)	10 % ... 95 % (according to DIN EN 61131-2)
Air pressure (operation)	70 kPa ... 106 kPa (up to 3000 m above sea level)
Air pressure (storage/transport)	70 kPa ... 106 kPa (up to 3000 m above sea level)
Degree of protection	IP20
Protection class	III, IEC 61140, EN 61140, VDE 0140-1
Test section	5 V supply, incoming remote bus/7.5 V supply (bus logics) 500 V AC 50 Hz 1 min
	5 V supply, outgoing remote bus/7.5 V supply (bus logics) 500 V AC 50 Hz 1 min
	7.5 V supply (bus logic), 24 V supply U_{ANA} / I/O 500 V AC 50 Hz 1 min
	7.5 V supply (bus logic), 24 V supply U_{ANA} /functional earth ground 500 V AC 50 Hz 1 min
	I/O / functional earth ground 500 V AC 50 Hz 1 min

Interface

Name	Inline local bus
Type of connection	Inline data jumper
Transmission speed	500 kbps
	500 kBit/s
Transmission physics	Copper

Inline potential routing

Communications power U_L	7.5 V DC (via voltage jumper)
Current consumption from U_L	max. 65 mA
	Typ. 52 mA
Current consumption from U_M	max. 200 mA
I/O supply voltage U_{ANA}	24 V DC
Current consumption from U_{ANA}	max. 40 mA
	Typ. 31 mA

Analog inputs

Number of inputs	max. 8 (single ended)
------------------	-----------------------

Connection method	2-wire (shielded)
Input name	Analog inputs
A/D conversion time	Approx. 10 µs
Limit frequency (3 dB)	3.5 kHz
Data formats	IBS IL, IBS ST, IBS RT, standardized representation, PIO format
Measuring principle	Successive approximation
Measured value resolution	16 bits (15 bits + sign)
Measured value representation	16-bit two's complement
Current input signal	0 mA ... 20 mA 4 mA ... 20 mA -20 mA ... 20 mA 0 mA ... 40 mA -40 mA ... 40 mA
Number of inputs	8 (differential inputs, current)
Current input signal	0 mA ... 20 mA 4 mA ... 20 mA -20 mA ... 20 mA 0 mA ... 40 mA -40 mA ... 40 mA
Input resistance current input	25 Ω 0.01 %

Certificates / Approvals



Certification ABS, CUL, DNV, GL, GOST, UL

Certifications applied for: LR / BV

Accessories

Item	Designation	Description
Marking		
0809502	ESL 62X46	Insert strip for laser printer, lettering field: 62 x 46 mm
0809502	ESL 62X46	Insert strip for laser printer, lettering field: 62 x 46 mm

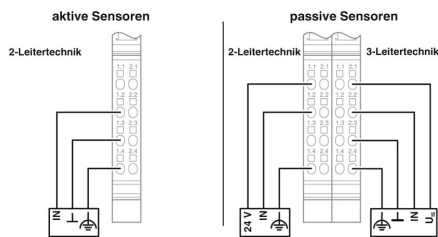
2727501	IB IL FIELD 2	Labeling field, width: 12.2 mm
2727515	IB IL FIELD 8	Labeling field, width: 48.8 mm

Plug/Adapter

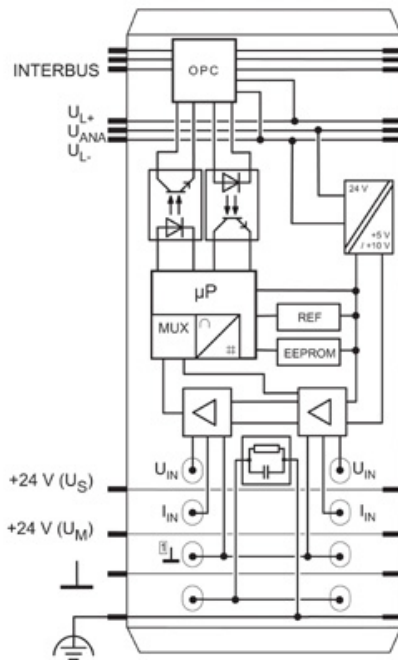
2740245	IB IL SCN 6-SHIELD-TWIN	Inline shield connector
---------	-------------------------	-------------------------

Diagrams/Drawings

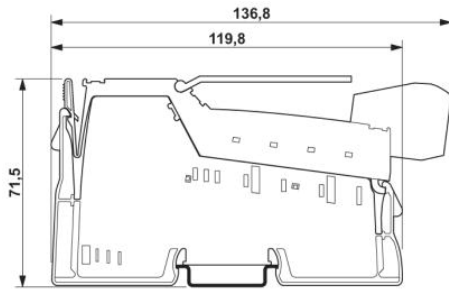
Connection diagram



Block diagram



Dimensioned drawing



Address

PHOENIX CONTACT Deutschland GmbH
Flachmarktstr. 8
32825 Blomberg, Germany
Phone +49 5235 3 12000
Fax +49 5235 3 41200
<http://www.phoenixcontact.de>



© 2011 Phoenix Contact
Technical modifications reserved;