



Chipsmall Limited consists of a professional team with an average of over 10 year of expertise in the distribution of electronic components. Based in Hongkong, we have already established firm and mutual-benefit business relationships with customers from,Europe,America and south Asia,supplying obsolete and hard-to-find components to meet their specific needs.

With the principle of “Quality Parts,Customers Priority,Honest Operation,and Considerate Service”,our business mainly focus on the distribution of electronic components. Line cards we deal with include Microchip,ALPS,ROHM,Xilinx,Pulse,ON,Everlight and Freescale. Main products comprise IC,Modules,Potentiometer,IC Socket,Relay,Connector.Our parts cover such applications as commercial,industrial, and automotives areas.

We are looking forward to setting up business relationship with you and hope to provide you with the best service and solution. Let us make a better world for our industry!



Contact us

Tel: +86-755-8981 8866 Fax: +86-755-8427 6832

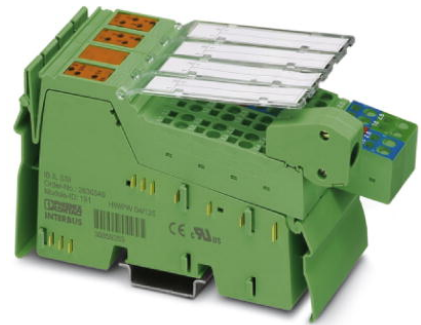
Email & Skype: info@chipsmall.com Web: www.chipsmall.com

Address: A1208, Overseas Decoration Building, #122 Zhenhua RD., Futian, Shenzhen, China




IB IL SSI-PAC

Order No.: 2861865



<http://eshop.phoenixcontact.de/phoenix/treeViewClick.do?UID=2861865>

Inline measurement terminal block for positioning control and absolute position encoders, complete with accessories, 1 absolute encoder input, 4 digital inputs 24 V DC, 4 digital outputs 24 V DC, 500 mA, 3-wire connection method

Commercial data	
GTIN (EAN)	4  017918 894566
Note	Made-to-order
sales group	K413
Pack	1 pcs.
Customs tariff	85389091
Catalog page information	Page 305 (AX-2009)

Product notes

WEEE/RoHS-compliant since:
09/27/2007



<http://www.download.phoenixcontact.com>
Please note that the data given here has been taken from the online catalog. For comprehensive information and data, please refer to the user documentation. The General Terms and Conditions of Use apply to Internet downloads.

Technical data	
Interfaces	
Interface	Inline local bus
Type of connection	Inline data jumper

Power supply

I/O voltage	24 V DC (via voltage jumper)
Peripherals voltage range	19.2 V DC ... 30 V DC
Encoder supply voltage	5 V DC
	24 V DC
Encoder supply current	500 mA
	500 mA
Drawing encoder supply voltage	Main circuit U_M

Electrical isolation

Test section	5 V supply, incoming remote bus/7.5 V supply (bus logics) 500 V AC 50 Hz 1 min
	5 V supply, outgoing remote bus/7.5 V supply (bus logics) 500 V AC 50 Hz 1 min
	7.5 V supply (bus logics)/24 V supply (I/O) 500 V AC 50 Hz 1 min
	7.5 V supply (bus logics) / functional earth ground of encoder supply 500 V AC 50 Hz 1 min
	24 V supply (I/O) / functional earth ground 500 V AC 50 Hz 1 min
	24 V supply (I/O) / functional earth ground of encoder supply 500 V AC 50 Hz 1 min
	Functional earth ground of encoder supply / Functional earth ground 500 V AC 50 Hz 1 min

Absolute encoder input

Number of inputs	1
Adjustable resolution	26 Bit (maximum)
Transmission frequency	400 kHz

Inputs

Number of inputs	4
Connection method	3-conductor
Input voltage	24 V DC

Outputs

Number of outputs	4
Connection method	3-conductor (shielded)

General data

Weight	210 g
Number of connectors	1

Width	48.8 mm
Height	140.5 mm
Depth	71.5 mm

Inline potential routing

Communications power U_L	7.5 V (via voltage jumper)
Current consumption from U_L	max. 60 mA
Main circuit supply U_M	24 V DC (via voltage jumper)
Current consumption from U_M	max. 1 A
	Typ. 1 A
Segment supply voltage U_S	24 V DC (via voltage jumper)
Current consumption from U_S	max. 2 A
	Typ. 2 A

Certificates / Approvals



Certification

CUL, GOST, UL

Accessories

Item	Designation	Description
------	-------------	-------------

Literature

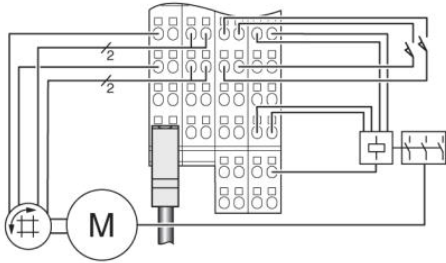
2698452	IB IL SSI UM	User Manual, German, for Inline positioning terminals
2698465	IB IL SSI UM E	User Manual, English, for Inline positioning terminals

Marking

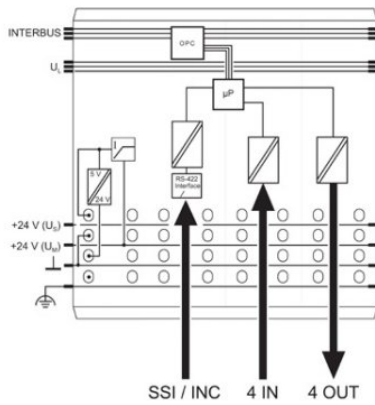
0809492	ESL 62X10	Insert strip for laser printer, lettering field: 62 x 10 mm
---------	-----------	---

Diagrams/Drawings

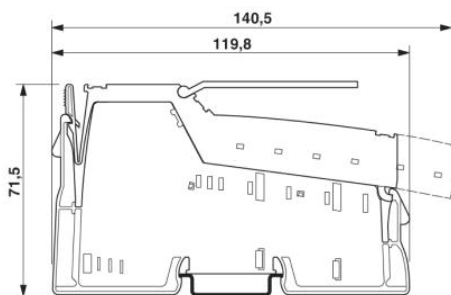
Connection diagram



Block diagram



Dimensioned drawing



Address

PHOENIX CONTACT Deutschland GmbH
Flachmarktstr. 8
32825 Blomberg, Germany
Phone +49 5235 3 12000
Fax +49 5235 3 41200
<http://www.phoenixcontact.de>



© 2011 Phoenix Contact
Technical modifications reserved;