



Chipsmall Limited consists of a professional team with an average of over 10 year of expertise in the distribution of electronic components. Based in Hongkong, we have already established firm and mutual-benefit business relationships with customers from,Europe,America and south Asia,supplying obsolete and hard-to-find components to meet their specific needs.

With the principle of “Quality Parts,Customers Priority,Honest Operation,and Considerate Service”,our business mainly focus on the distribution of electronic components. Line cards we deal with include Microchip,ALPS,ROHM,Xilinx,Pulse,ON,Everlight and Freescale. Main products comprise IC,Modules,Potentiometer,IC Socket,Relay,Connector.Our parts cover such applications as commercial,industrial, and automotives areas.

We are looking forward to setting up business relationship with you and hope to provide you with the best service and solution. Let us make a better world for our industry!



Contact us

Tel: +86-755-8981 8866 Fax: +86-755-8427 6832

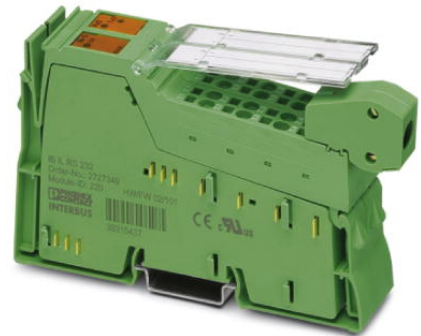
Email & Skype: info@chipsmall.com Web: www.chipsmall.com

Address: A1208, Overseas Decoration Building, #122 Zhenhua RD., Futian, Shenzhen, China




IB IL RS 232-2MBD-PAC

Order No.: 2862084



<http://eshop.phoenixcontact.de/phoenix/treeViewClick.do?UID=2862084>

Inline RS-232 function terminal block, for serial data transmission, complete with accessories (connector and labeling field), 1 serial input and output channel in RS-232 design

Commercial data	
GTIN (EAN)	 4 017918 974718
sales group	K413
Pack	1 pcs.
Customs tariff	85389091
Catalog page information	Page 296 (AX-2009)

Product notes

WEEE/RoHS-compliant since:
01/16/2009



<http://www.download.phoenixcontact.com>
Please note that the data given here has been taken from the online catalog. For comprehensive information and data, please refer to the user documentation. The General Terms and Conditions of Use apply to Internet downloads.

Technical data

Interfaces	
Interface	Inline local bus
Type of connection	Inline data jumper
Transmission speed	2 MBit/s

Interface	Serial RS-232
Type of connection	Spring-cage connection
Transmission speed	110 Bit/s ... 38400 Bit/s (configurable)

Power supply

Typical current consumption	165 mA
I/O voltage	24 V DC (via voltage jumper)
Peripherals voltage range	19.2 V DC ... 30 V DC

Electrical isolation

Test section	5 V supply, incoming remote bus/7.5 V supply (bus logics) 500 V AC 50 Hz 1 min
	5 V supply, outgoing remote bus/7.5 V supply (bus logics) 500 V AC 50 Hz 1 min
	RS-232 interface / 7.5 V supply (bus logics) 500 V AC 50 Hz 1 min
	RS-232 interface / 24 V supply (I/O) 500 V AC 50 Hz 1 min
	RS-232 interface / functional earth ground 500 V AC/DC 50 Hz 1 min
	7.5 V supply (bus logics)/24 V supply (I/O) 500 V AC 50 Hz 1 min
	7.5 V supply (bus logics) / functional earth ground 500 V AC 50 Hz 1 min
	24 V supply (I/O) / functional earth ground 500 V AC 50 Hz 1 min

Serial input/output channel

Input buffer	4 kByte
Output buffer	1 kByte
Transmission speed	2 MBit/s
Parity	Even, odd or no parity
Data bits	7 or 8
Stop bits	1 or 2
Transmission type	Transparent mode, end-end mode, dual buffer mode, 3964R, XON/XOFF

General data

Weight	135 g
Number of connectors	2
Width	24.4 mm
Height	136.8 mm
Depth	71.5 mm

Inline potential routing

Communications power U_L	7.5 V (via voltage jumper)
Current consumption from U_L	Typ. 165 mA
	max. 225 mA (all connections of the serial interface are short-circuited)

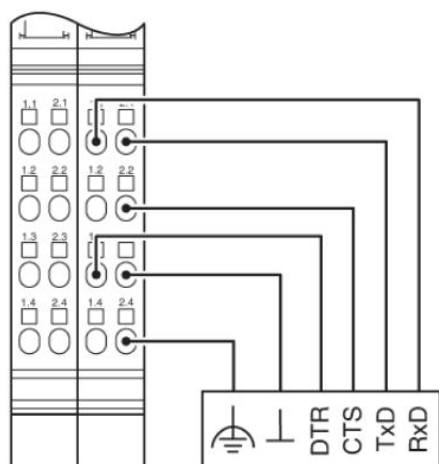
Accessories

Item	Designation	Description
Marking		
0809492	ESL 62X10	Insert strip for laser printer, lettering field: 62 x 10 mm
2727501	IB IL FIELD 2	Labeling field, width: 12.2 mm

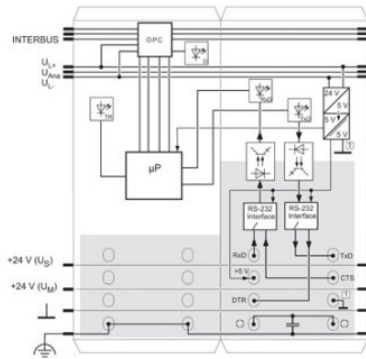
Plug/Adapter		
2732664	IB IL AO/CNT-PLSET	Connector set

Diagrams/Drawings

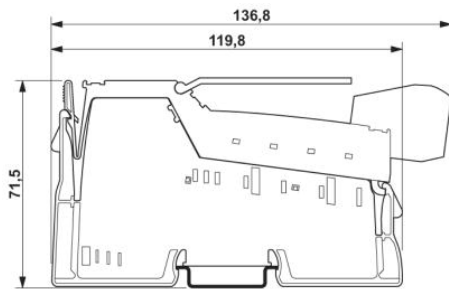
Connection diagram



Block diagram



Dimensioned drawing



Address

PHOENIX CONTACT Deutschland GmbH
Flachmarktstr. 8
32825 Blomberg, Germany
Phone +49 5235 3 12000
Fax +49 5235 3 41200
<http://www.phoenixcontact.de>



© 2011 Phoenix Contact
Technical modifications reserved;