



Chipsmall Limited consists of a professional team with an average of over 10 year of expertise in the distribution of electronic components. Based in Hongkong, we have already established firm and mutual-benefit business relationships with customers from,Europe,America and south Asia,supplying obsolete and hard-to-find components to meet their specific needs.

With the principle of “Quality Parts,Customers Priority,Honest Operation,and Considerate Service”,our business mainly focus on the distribution of electronic components. Line cards we deal with include Microchip,ALPS,ROHM,Xilinx,Pulse,ON,Everlight and Freescale. Main products comprise IC,Modules,Potentiometer,IC Socket,Relay,Connector.Our parts cover such applications as commercial,industrial, and automotives areas.

We are looking forward to setting up business relationship with you and hope to provide you with the best service and solution. Let us make a better world for our industry!



Contact us

Tel: +86-755-8981 8866 Fax: +86-755-8427 6832

Email & Skype: info@chipsmall.com Web: www.chipsmall.com

Address: A1208, Overseas Decoration Building, #122 Zhenhua RD., Futian, Shenzhen, China



IB IL 24 PWR IN/2-F-D-PAC

Order No.: 2862152


The illustration shows the version IB IL 24 PWR INF-PAC



<http://eshop.phoenixcontact.de/phoenix/treeViewClick.do?UID=2862152>

Inline power terminal block, complete with accessories (connector and labeling field), 24 V DC, with fuse (Main and segment voltage) and diagnostics



Commercial data	
GTIN (EAN)	 4 017918 894641
sales group	K417
Pack	1 pcs.
Customs tariff	85389091
Catalog page information	Page 267 (AX-2009)

Product notes

WEEE/RoHS-compliant since:
12/05/2006



<http://www.download.phoenixcontact.com>
Please note that the data given here has been taken from the online catalog. For comprehensive information and data, please refer to the user documentation. The General Terms and Conditions of Use apply to Internet downloads.

Technical data

Interfaces	
Type of connection	8-pos. Inline power connector
Interface	Supply voltage

Power supply

Communications power U_L	7.5 V DC (via voltage jumper)
Typical current consumption	30 mA
I/O voltage	24 V DC
Peripherals voltage range	19.2 V DC ... 30 V DC (including all tolerances, including ripple)
Max. current consumption	4 A
Fuse	SI 5 x 20 6, 300 AT (in scope of delivery)

General data

Type of protection	Polarity protection, surge protection
Weight	44 g
Number of connectors	1
Width	12.2 mm
Height	119.8 mm
Depth	71.5 mm

Inline potential routing

Communications power U_L	7.5 V DC (via voltage jumper)
Current consumption from U_L	max. 25 mA
Main circuit supply U_M	24 V DC (nominal value)
Power supply at U_M	4 A (nominal value)
Segment supply voltage U_S	24 V DC
Power supply at U_S	4 A (nominal value)

Certificates / Approvals



Certification CUL, GOST, UL

Certification Ex: PxC-EX

Accessories

Item	Designation	Description
------	-------------	-------------

Marking

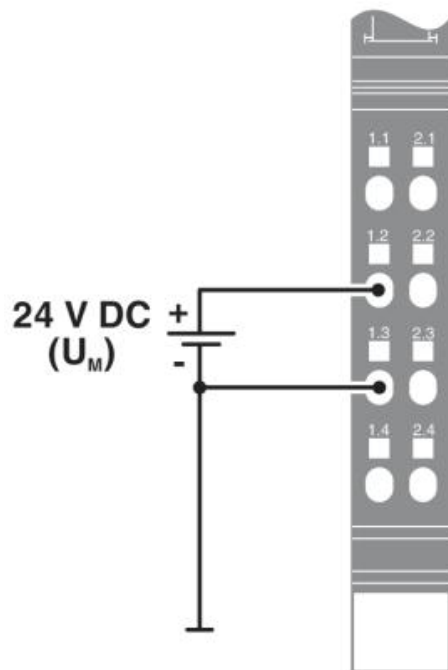
0809492	ESL 62X10	Insert strip for laser printer, lettering field: 62 x 10 mm
2727501	IB IL FIELD 2	Labeling field, width: 12.2 mm

Plug/Adapter

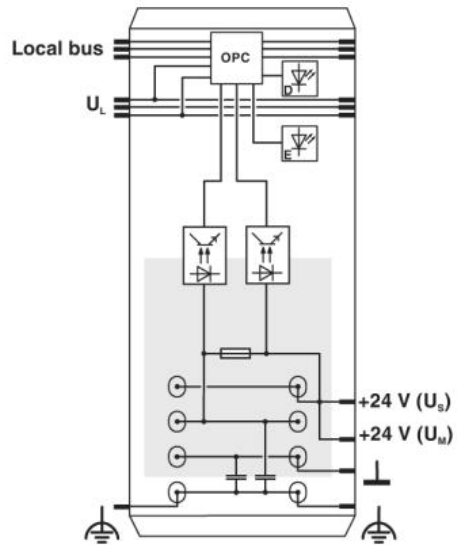
2727462	IB IL SCN-PWR IN	Connector, for Inline power and segment terminal blocks
2727637	IB IL SCN-PWR IN-CP	Connector, colored, for Inline power and segment terminal blocks

Diagrams/Drawings

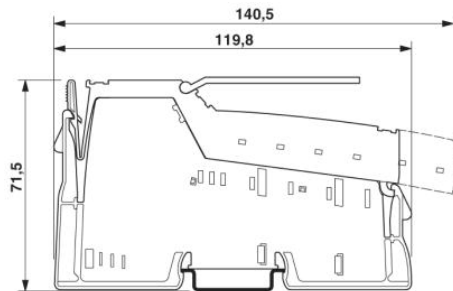
Connection diagram



Block diagram



Dimensioned drawing



Address

PHOENIX CONTACT Deutschland GmbH
Flachmarktstr. 8
32825 Blomberg, Germany
Phone +49 5235 3 12000
Fax +49 5235 3 41200
<http://www.phoenixcontact.de>



© 2011 Phoenix Contact
Technical modifications reserved;