



Chipsmall Limited consists of a professional team with an average of over 10 year of expertise in the distribution of electronic components. Based in Hongkong, we have already established firm and mutual-benefit business relationships with customers from,Europe,America and south Asia,supplying obsolete and hard-to-find components to meet their specific needs.

With the principle of “Quality Parts,Customers Priority,Honest Operation,and Considerate Service”,our business mainly focus on the distribution of electronic components. Line cards we deal with include Microchip,ALPS,ROHM,Xilinx,Pulse,ON,Everlight and Freescale. Main products comprise IC,Modules,Potentiometer,IC Socket,Relay,Connector.Our parts cover such applications as commercial,industrial, and automotives areas.

We are looking forward to setting up business relationship with you and hope to provide you with the best service and solution. Let us make a better world for our industry!



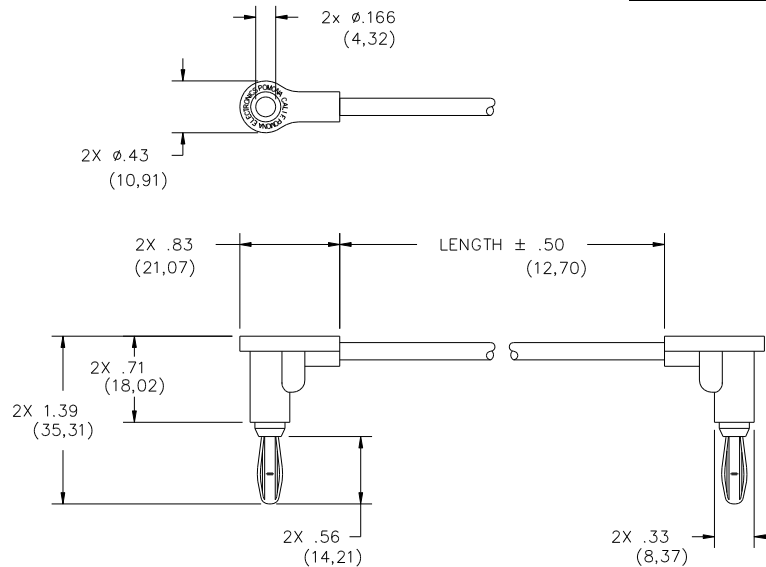
Contact us

Tel: +86-755-8981 8866 Fax: +86-755-8427 6832

Email & Skype: info@chipsmall.com Web: www.chipsmall.com

Address: A1208, Overseas Decoration Building, #122 Zhenhua RD., Futian, Shenzhen, China





FEATURES:

- Vertical stacking feature allows endless circuit connections and the right angle design keeps wires close to the chassis.
- An oversized shoulder allows easy connect and disconnect.
- Mates to Model #1581, 2854 or any standard banana jack.

MATERIALS:

Conn: Right Angle Banana Plug

Material: Spring – Beryllium Copper per QQ-C-533, Alloy 172, Cond. HT.

Plug Body – Brass per QQ-B-626, Alloy 360, ½ Hard.

Finish: Nickel plated per QQ-N-290, Class 2, 200/300 microinches.

Insulation: Polypropylene molded to plug body and wire. Color matches color of wire.

Marking: “POMONA ELECTRONICS POMONA CALIF.”

Wire: 18 AWG stranding 65 x 36 t.c., PVC insulated 3.66 (.144) O.D. Marking: “POMONA 2864-XX-X”

RATINGS:

Operating Temperature: +55° C. (+131° F.) Max.

Voltage: Hand-held testing: 30VAC/60VDC Max.

Hands free testing in controlled voltage environments: 5000 WVDC Max.

Current: 15Amperes

ORDERING INFORMATION: Model 2864-XX-*

XX = Cable Lengths, Standard Length: 24”

Additional lengths and colors can be quoted upon request.

*= Color, -0 Black, -2 Red Ordering Example: 2864-24-2 Indicates 24” in length, color is Red

All dimensions are in inches. Tolerances (except noted): .xx = ±.02” (.51 mm), .xxx = ± .005” (.127 mm).

All specifications are to the latest revisions. Specifications are subject to change without notice.

Registered trademarks are the property of their respective companies. Made in USA