



Chipsmall Limited consists of a professional team with an average of over 10 year of expertise in the distribution of electronic components. Based in Hongkong, we have already established firm and mutual-benefit business relationships with customers from,Europe,America and south Asia,supplying obsolete and hard-to-find components to meet their specific needs.

With the principle of "Quality Parts,Customers Priority,Honest Operation,and Considerate Service",our business mainly focus on the distribution of electronic components. Line cards we deal with include Microchip,ALPS,ROHM,Xilinx,Pulse,ON,Everlight and Freescale. Main products comprise IC,Modules,Potentiometer,IC Socket,Relay,Connector.Our parts cover such applications as commercial,industrial, and automotives areas.

We are looking forward to setting up business relationship with you and hope to provide you with the best service and solution. Let us make a better world for our industry!



Contact us

Tel: +86-755-8981 8866 Fax: +86-755-8427 6832

Email & Skype: info@chipsmall.com Web: www.chipsmall.com

Address: A1208, Overseas Decoration Building, #122 Zhenhua RD., Futian, Shenzhen, China

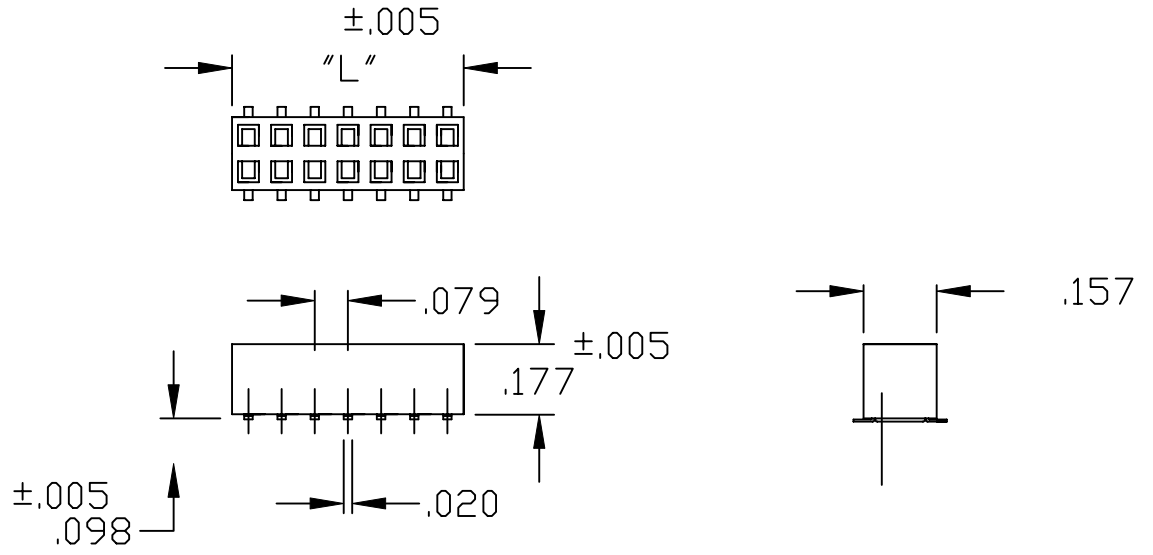


DESCRIPTION: 2MM DUAL ROW RECEPTACLE SMT

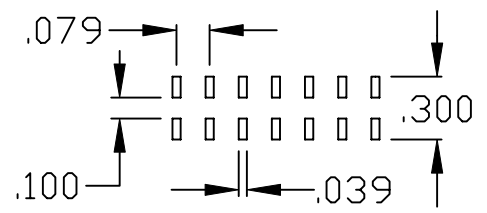
"L" = NO. OF CONTACTS PER ROW X .079

MATERIAL:
 HOUSING: NYLON 6T (UL 94V-0) BLACK
 CONTACT: PHOSPHOR BRONZE
 PLATING: GOLD FLASH MATING SIDE
 100u" TIN ON BOARD SIDE
 RoHS COMPLIANT

ELECTRICAL:
 CURRENT RATING: 1 AMP
 CONTACT RESISTANCE: 20 mOHM MAX.
 INSULATOR RESISTANCE: 5000 MEGOHMS MIN.
 DWV: 500V AC
 OPERATING TEMP:
 -40°C TO +105°C
 PROCESSING TEMP:
 260°C FOR 10 SECONDS



PCB LAYOUT



2864 YY 06RP2

SERIES _____
 2864 = DUAL ROW

POSITIONS _____
 DUAL - INCREMENTS OF 2
 (06 TO 80)

TYPE: _____
 06 = SURFACE MOUNT

PLATING: _____
 P2 = GOLD FLASH

	THESE DRAWINGS AND SPECIFICATIONS ARE THE PROPERTY OF NorComp AND SHALL NOT BE REPRODUCED, COPIED OR USED AS THE BASIS FOR THE MANUFACTURE OF SALE OF APPARATUS WITHOUT WRITTEN PERMISSION.		DRAWN: PAM JENKINS	DATE: 1-30-06
	<h1>NorComp</h1>		CHECKED:	DATE:
SCALE: NTS			SHEET 1	OF 1
DWG NO.			2864YY06RP2	