



Chipsmall Limited consists of a professional team with an average of over 10 year of expertise in the distribution of electronic components. Based in Hongkong, we have already established firm and mutual-benefit business relationships with customers from,Europe,America and south Asia,supplying obsolete and hard-to-find components to meet their specific needs.

With the principle of “Quality Parts,Customers Priority,Honest Operation,and Considerate Service”,our business mainly focus on the distribution of electronic components. Line cards we deal with include Microchip,ALPS,ROHM,Xilinx,Pulse,ON,Everlight and Freescale. Main products comprise IC,Modules,Potentiometer,IC Socket,Relay,Connector.Our parts cover such applications as commercial,industrial, and automotives areas.

We are looking forward to setting up business relationship with you and hope to provide you with the best service and solution. Let us make a better world for our industry!



Contact us

Tel: +86-755-8981 8866 Fax: +86-755-8427 6832

Email & Skype: info@chipsmall.com Web: www.chipsmall.com

Address: A1208, Overseas Decoration Building, #122 Zhenhua RD., Futian, Shenzhen, China



Temperature measuring transducer - MCR-FL-T-LP-I-EX - 2864574

Please be informed that the data shown in this PDF Document is generated from our Online Catalog. Please find the complete data in the user's documentation. Our General Terms of Use for Downloads are valid (<http://phoenixcontact.com/download>)



MCR head-mounted temperature transducers: Programmable loop-powered temperature transducers. Resistance thermometers, thermocouples, resistance-type sensors and voltage sensors.

Product Features

- Input for resistance thermometers, thermocouples, and linear mV signals, Ex ia IIC
- Configuration via software
- Can be installed in zone 1
- 2-way electrical isolation
- Single-channel
- Loop-powered
- HART-compatible (MCR-FL-TS-LP-I-EX)
- 4
20 mA/20
4 mA output



Key Commercial Data

Packing unit	1 pc
Weight per Piece (excluding packing)	106.6 g
Custom tariff number	85437090
Country of origin	Germany

Technical data

Dimensions

Width	12.5 mm
Height	99 mm
Depth	114.5 mm

Temperature measuring transducer - MCR-FL-T-LP-I-EX - 2864574

Technical data

Ambient conditions

Degree of protection	IP20
----------------------	------

Input data

Configurable/programmable	Yes, programmable
Sensor types (RTD) that can be used	Pt, Ni (100, 500, 1000); min. measurement range 10 K
Sensor types that can be used (TC)	B, C, D, E, J, K, L, N, R, S, T, U; min. measurement range 50 K/500 K
Connection method	2, 3, 4-wire
Input signal range	10 Ω ... 400 Ω (min. measurement range 10 Ω)
	10 Ω ... 2000 Ω (min. measurement range 100 Ω)
	-10 mV ... 100 mV (min. measurement range 5 mV)

Output data

Signal output	Current output
Current output signal	4 mA ... 20 mA
	20 mA ... 4 mA
Max. current output signal	≤ 23 mA
Output current with short-circuit	≤ 3.6 mA or ≥ 21 mA (adjustable, not for thermocouples)
Output current with wire break	≤ 3.6 mA or ≥ 21 mA (adjustable)
Output current range with overrange/underrange	3.8 mA ... 20.5 mA
Load/output load current output	≤ 520 Ω (At $U_V = 24\text{ V}$; $U_{\text{supply}} = 12\text{ V} / 0.023\text{ A}$)

Power supply

Designation	Loop-powered
Supply voltage range	12 V DC ... 30 V DC
Max. current consumption	< 3.5 mA

Connection data

Conductor cross section solid min.	0.2 mm ²
Conductor cross section solid max.	2.5 mm ²
Conductor cross section flexible min.	0.2 mm ²
Conductor cross section flexible max.	2.5 mm ²
Conductor cross section AWG min.	24
Conductor cross section AWG max.	14
Stripping length	8 mm
Screw thread	M3
Connection method	Screw connection
Tightening torque, min	0.5 Nm
Tightening torque max	0.6 Nm

General

Temperature measuring transducer - MCR-FL-T-LP-I-EX - 2864574

Technical data

General

Step response (10-90%)	< 2 s
Switch-on delay	4 s
Configuration	Using MCR-PI-CONF-WIN configuration software package
Flammability rating according to UL 94	V0
Standards/regulations	NAMUR recommendation NE 21
Housing material	Polyamide PA non-reinforced
Color	green
Line monitoring	NE 43
Conformance	CE-compliant
ATEX	# II 2(1) G Ex ia IIC T4...T6
UL, USA / Canada	cULus

Safety data

Max. output voltage U_o	4.4 V DC
Max. output current I_o	9.6 mA
Max. output power P_o	10.6 mW
Max. ambient temperature	T4 = 85 °C, T5 = 65 °C, T6 = 50 °C
Group	IIA
Max. external inductivity L_o	100 mH
Max. external capacity C_o	12 μ F
Group	IIB
Max. external inductivity L_o	100 mH
Max. external capacity C_o	12 μ F
Group	IIC
Max. external inductivity L_o	100 mH
Max. external capacity C_o	2.4 μ F
Safety-related maximum voltage U_m	250 V

Standards and Regulations

Standards/regulations	NAMUR recommendation NE 21
Flammability rating according to UL 94	V0
Conformance	CE-compliant
ATEX	# II 2(1) G Ex ia IIC T4...T6
UL, USA / Canada	cULus
Group	IIA
	IIB
	IIC

Temperature measuring transducer - MCR-FL-T-LP-I-EX - 2864574

Classifications

eCl@ss

eCl@ss 4.0	27200206
eCl@ss 4.1	27200206
eCl@ss 5.0	27200206
eCl@ss 5.1	27200206
eCl@ss 6.0	27200206
eCl@ss 7.0	27200206
eCl@ss 8.0	27371503

ETIM

ETIM 2.0	EC001446
ETIM 3.0	EC001446
ETIM 4.0	EC001446
ETIM 5.0	EC002568

UNSPSC

UNSPSC 6.01	30211506
UNSPSC 7.0901	39121008
UNSPSC 11	39121008
UNSPSC 12.01	39121008
UNSPSC 13.2	39121008

Approvals

Approvals

Approvals

EAC / EAC

Ex Approvals

ATEX / UL Listed / UL Listed / cUL Listed / cUL Listed / cULus Listed

Approvals submitted

Approval details

EAC

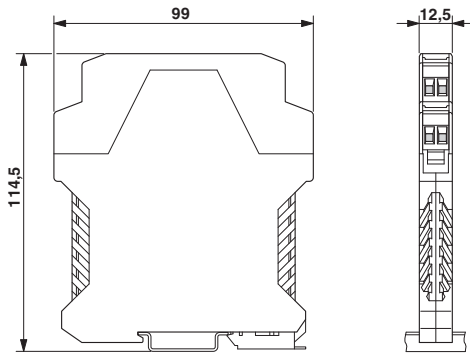
Temperature measuring transducer - MCR-FL-T-LP-I-EX - 2864574

Approvals

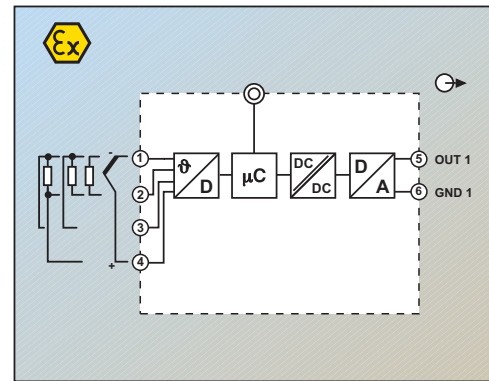
EAC

Drawings

Dimensional drawing



Block diagram



Block diagram MCR-FL-T-LP-I-EX