



Chipsmall Limited consists of a professional team with an average of over 10 year of expertise in the distribution of electronic components. Based in Hongkong, we have already established firm and mutual-benefit business relationships with customers from,Europe,America and south Asia,supplying obsolete and hard-to-find components to meet their specific needs.

With the principle of "Quality Parts,Customers Priority,Honest Operation,and Considerate Service",our business mainly focus on the distribution of electronic components. Line cards we deal with include Microchip,ALPS,ROHM,Xilinx,Pulse,ON,Everlight and Freescale. Main products comprise IC,Modules,Potentiometer,IC Socket,Relay,Connector.Our parts cover such applications as commercial,industrial, and automotives areas.

We are looking forward to setting up business relationship with you and hope to provide you with the best service and solution. Let us make a better world for our industry!



Contact us

Tel: +86-755-8981 8866 Fax: +86-755-8427 6832

Email & Skype: info@chipsmall.com Web: www.chipsmall.com

Address: A1208, Overseas Decoration Building, #122 Zhenhua RD., Futian, Shenzhen, China



ETD-FL-2T-DTI

Order No.: 2866187

<http://eshop.phoenixcontact.de/phoenix/treeViewClick.do?UID=2866187>

Multi-functional timer relay with 7 functions and two adjustable time ranges (50 ms - 10 h), wide-range power supply unit, 2 PDTs



Commercial data

| | |
|--------------------------|--------------------|
| GTIN (EAN) | |
| sales group | H320 |
| Pack | 1 pcs. |
| Customs tariff | 85364900 |
| Catalog page information | Page 662 (IF-2009) |

Product notes

WEEE/RoHS-compliant since:
09/03/2007



<http://www.download.phoenixcontact.com>
Please note that the data given here has been taken from the online catalog. For comprehensive information and data, please refer to the user documentation. The General Terms and Conditions of Use apply to Internet downloads.

Product description

Increasingly higher demands are being placed on safety and system availability – across all sectors. Processes are becoming more and more complex, not only in mechanical engineering and the chemical industry, but also in plant and automation technology. Demands on power engineering are also increasing constantly.

The timer relays in the ETD series can be used to control time sequences in production and process technology.

Technical data

Coil side

| | |
|-------------------------|--|
| Input voltage range | 24 V DC ... 240 V DC -20 % ... +25 % |
| | 24 V AC ... 240 V AC -15 % ... +10 % |
| Temperature sensitivity | ≤ 0.01 %/K |
| Function | Ip: Switched-mode beginning with the pause |
| | Ii: Switched-mode beginning with the pulse |
| | ER: With switch-on and release delay with control contact |
| | EWu: With switch-on delay and single shot leading edge, voltage controlled |
| | EWs: With switch-on delay and single shot leading edge with control contact |
| | WsWa: With single shot leading edge and single shot trailing edge with control contact |
| | Wt: Pulse sequence evaluation (retriggerable release delay) |
| Time setting range | 50 ms ... 10 h (10 time end ranges) |
| Recovery time | 500 ms |

Contact side

| | |
|---------------------------------------|--|
| Contact type | 2 floating PDT contacts |
| Maximum switching voltage | 250 V AC (in acc. with IEC 60664-1) |
| Interrupting rating (ohmic load) max. | 750 VA (3 A/250 V AC, module aligned, ≤ 5 mm spacing) |
| | 1250 VA (5 A/250 V AC, module not aligned, ≥ 5 mm spacing) |
| Output fuse | 5 A (fast-blow) |

General data

| | |
|--|--|
| Width | 22.5 mm |
| Height | 90 mm |
| Depth | 113 mm |
| Status display | Green LED (POWER) |
| | Yellow LED (relay active) |
| Mechanical service life | Approx. 2×10^7 cycles |
| Nominal power consumption | 2.5 VA (1 W) |
| Test voltage relay winding/relay contact | 4 kV |
| Ambient temperature (operation) | -25 °C ... 55 °C |
| | -25 °C ... 40 °C (corresponds to UL 508) |
| Ambient temperature (storage/transport) | -25 °C ... 70 °C |

| | |
|----------------------------------|--|
| Mounting position | Any |
| Assembly instructions | on TS 35 profile rail acc. to EN 60715 |
| Color | green |
| Housing insulation material | Polyamide PA, self-extinguishing |
| Permissible humidity (operation) | 15 % ... 85 % |
| Nominal frequency | 48 Hz ... 400 Hz |
| Rated insulation voltage | 300 V (According to EN 50178) |
| Conformance | CE-compliant |
| UL, USA / Canada | UL/C-UL listed UL 508 |

Connection data

| | |
|--|---------------------|
| Conductor cross section stranded min. | 0.5 mm ² |
| Conductor cross section stranded max. | 2.5 mm ² |
| Conductor cross section solid min. | 0.5 mm ² |
| Conductor cross section solid max. | 2.5 mm ² |
| Conductor cross section AWG/kcmil min. | 20 |
| Conductor cross section AWG/kcmil max | 14 |
| Stripping length | 8 mm |
| Type of connection | Screw connection |

Control contact

| | |
|----------------------|--|
| Connection name | Floating, basic isolation between connection and input/output/ bridge Y1-Y2 |
| Load capacity | Cannot carry load |
| Cable length | max. 10 m |
| Control pulse length | min. 50 ms (Only with Wt function: > 7 ms) |

Certificates / Approvals

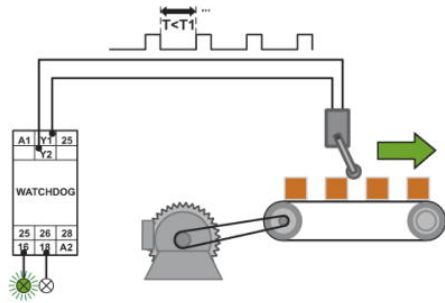


Certification

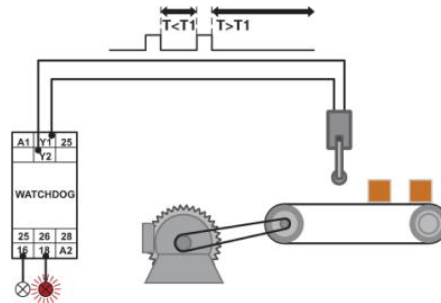
CUL Listed, UL Listed

Diagrams/Drawings

Application drawing

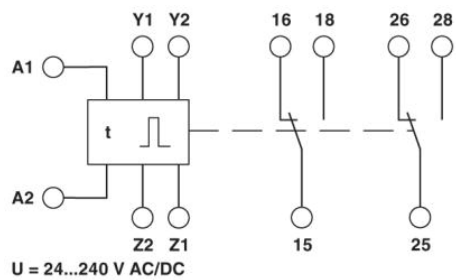


Function: Pulse sequence evaluation



Message for incorrect pulse

Block diagram



Address

PHOENIX CONTACT Deutschland GmbH
Flachmarktstr. 8
32825 Blomberg, Germany
Phone +49 5235 3 12000
Fax +49 5235 3 41200
<http://www.phoenixcontact.de>



© 2010 Phoenix Contact
Technical modifications reserved;