



Chipsmall Limited consists of a professional team with an average of over 10 year of expertise in the distribution of electronic components. Based in Hongkong, we have already established firm and mutual-benefit business relationships with customers from,Europe,America and south Asia,supplying obsolete and hard-to-find components to meet their specific needs.

With the principle of “Quality Parts,Customers Priority,Honest Operation,and Considerate Service”,our business mainly focus on the distribution of electronic components. Line cards we deal with include Microchip,ALPS,ROHM,Xilinx,Pulse,ON,Everlight and Freescale. Main products comprise IC,Modules,Potentiometer,IC Socket,Relay,Connector.Our parts cover such applications as commercial,industrial, and automotives areas.

We are looking forward to setting up business relationship with you and hope to provide you with the best service and solution. Let us make a better world for our industry!



## Contact us

Tel: +86-755-8981 8866 Fax: +86-755-8427 6832

Email & Skype: info@chipsmall.com Web: www.chipsmall.com

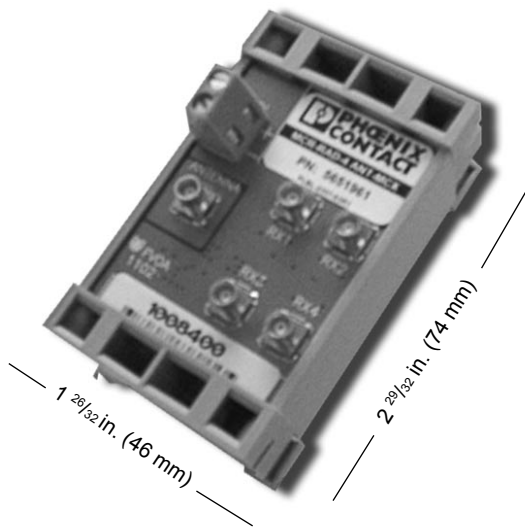
Address: A1208, Overseas Decoration Building, #122 Zhenhua RD., Futian, Shenzhen, China



# 4-Way Antenna Splitter

Data Sheet L001667

August 2003



RAD-ISM-900-ANT-4

## Description

The 4-Way Antenna Splitter allows four RAD-ISM-900 receivers to share a single antenna. Designed for use with RAD-ISM-900 receivers, RAD-ISM-900-UD-1TX/2RX-BUS mode (2867571) receivers, which are pre-programmed to receive only. These splitters can also be cascaded together to connect a maximum of sixty-four receivers to one antenna. For best performance when cascading, the signal should not pass through more than three splitters before reaching a receiver. This DIN-rail mount product, with MCX(F) connectors for both the antenna and receivers, will perform amplification and impedance-matching functions, and operates across a broad power supply and temperature range.

## Specifications

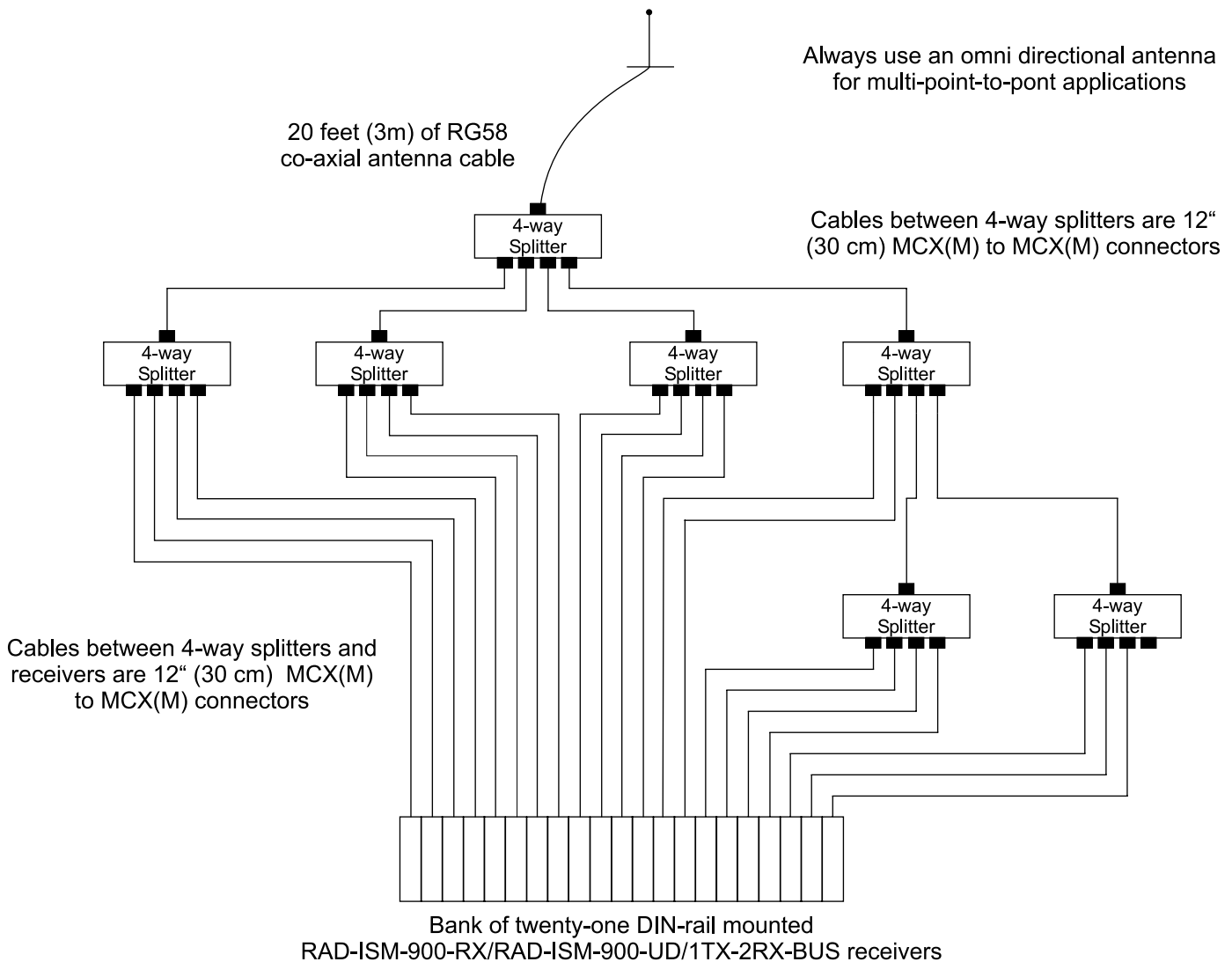
Frequency range	902 to 928 MHz
Insertion loss in bandwidth	0dB (+/-1)
Input impedance	50 ohms
Output impedance	50 ohms
Output isolation	30 dB
Composite noise figure	4.2 dB
Input IP3	3 dB
Absolute maximum input	7 dB
Supply voltage	8 to 30 V DC
Supply current	25 mA
Operating temperature range	-40°F to 190°F (-40°C to 85°C)

## Part Numbers

RAD-ISM-900-ANT-4 (2867050)	4-way Antenna Splitter
RAD-CON-MCX-MCX (2867607)	12" (30 cm) adapter cable to connect RAD ISM-900 receiver, RAD-ISM-900-UD-1TX-2RX-BUS receiver, or another 4-way antenna splitter



# Connection Example Showing Twenty-one RAD-ISM-900 Receivers Connected to One Antenna



#### Notes:

1. The 4-way splitters require 12-30VDC power.
2. The 4-way splitters can only be cascaded through 3 levels.
3. The RAD-ISM-900 receivers and the 4-way splitters are all DIN-rail mounted and need weather protection.
4. A high gain omni antenna should be used to ensure the radio link with the farthest RAD-ISM-900 transmitter.
5. If longer antenna cable is needed, a higher grade of antenna cable should be used to minimize a cable losses.

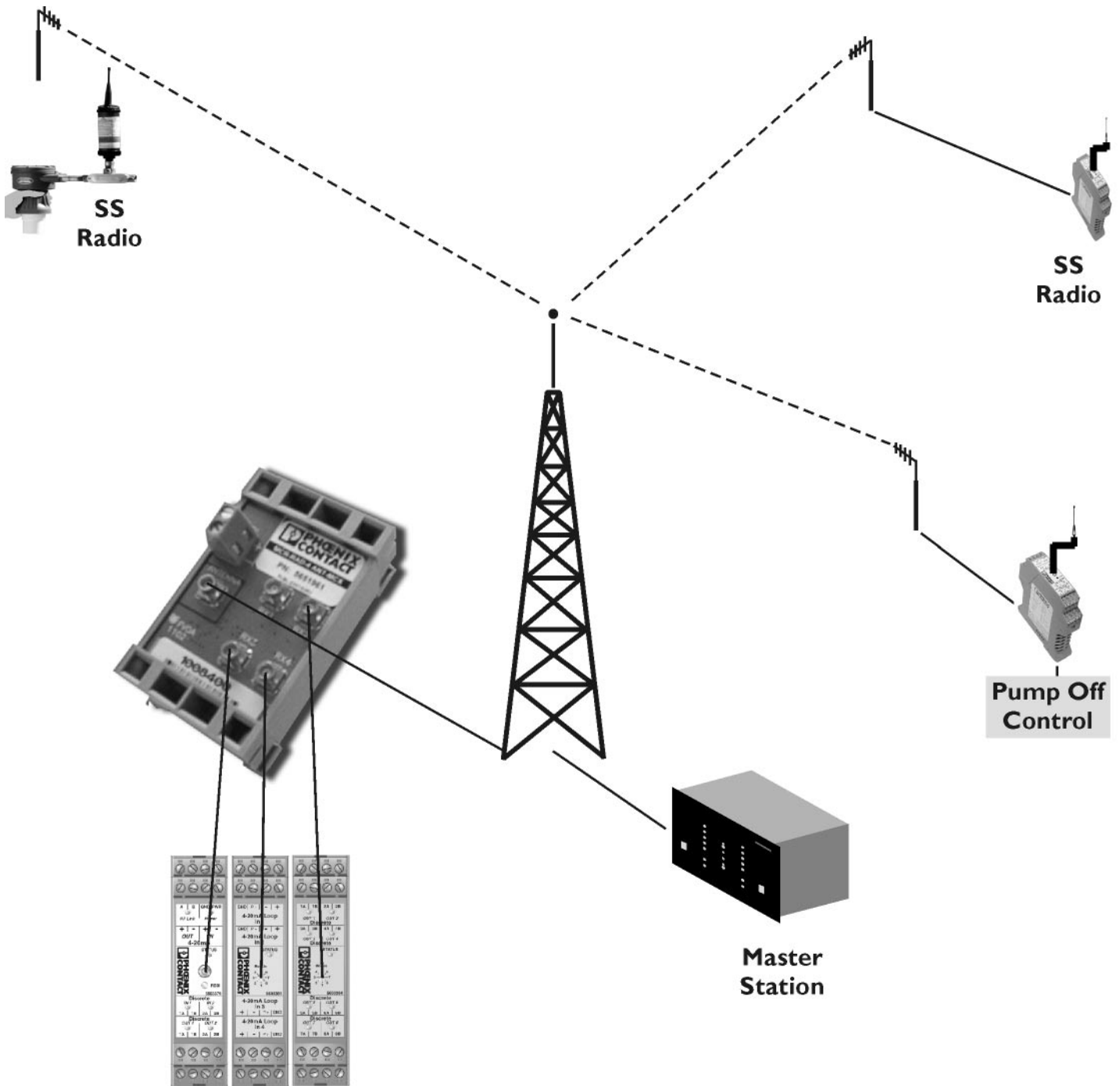
#### Phoenix Contact Inc.

P.O. Box 4100 Harrisburg, PA 17111-0100

Phone: (717) 944-1300 Fax: (717) 948-3475 Technical Service: 800-322-3225 E-mail: [info@phoenixcon.com](mailto:info@phoenixcon.com)



# Antenna Splitters for Receivers



**Phoenix Contact Inc.**

P.O. Box 4100 Harrisburg, PA 17111-0100

Phone: (717) 944-1300 Fax: (717) 948-3475 Technical Service: 800-322-3225 E-mail: [info@phoenixcon.com](mailto:info@phoenixcon.com)

---

**Phoenix Contact Inc.**

P.O. Box 4100 Harrisburg, PA 17111-0100

Phone: (717) 944-1300 Fax: (717) 948-3475 Technical Service: 800-322-3225 E-mail: [info@phoenixcon.com](mailto:info@phoenixcon.com)