



Chipsmall Limited consists of a professional team with an average of over 10 year of expertise in the distribution of electronic components. Based in Hongkong, we have already established firm and mutual-benefit business relationships with customers from,Europe,America and south Asia,supplying obsolete and hard-to-find components to meet their specific needs.

With the principle of “Quality Parts,Customers Priority,Honest Operation,and Considerate Service”,our business mainly focus on the distribution of electronic components. Line cards we deal with include Microchip,ALPS,ROHM,Xilinx,Pulse,ON,Everlight and Freescale. Main products comprise IC,Modules,Potentiometer,IC Socket,Relay,Connector.Our parts cover such applications as commercial,industrial, and automotives areas.

We are looking forward to setting up business relationship with you and hope to provide you with the best service and solution. Let us make a better world for our industry!



Contact us

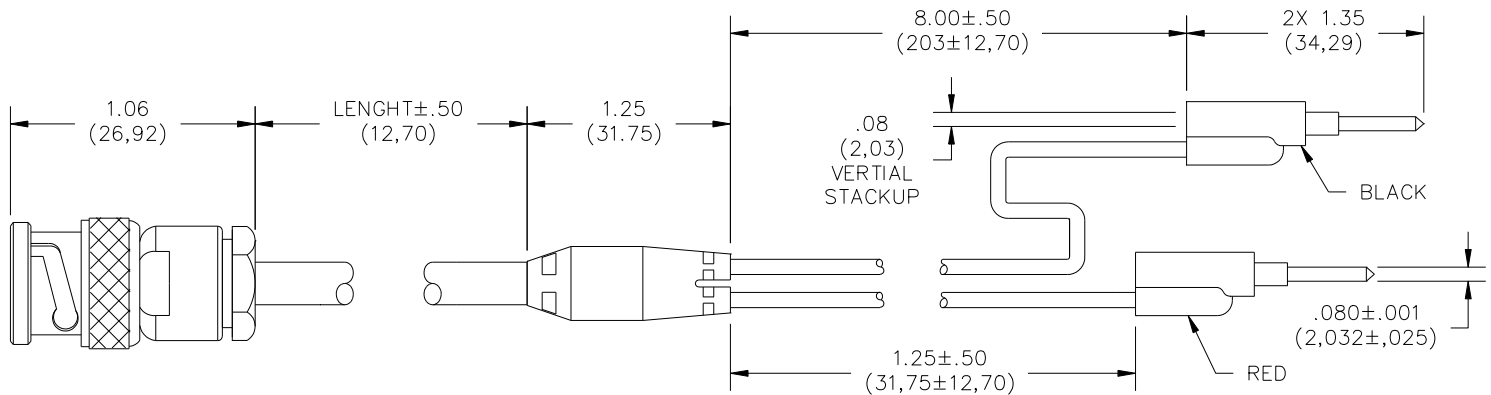
Tel: +86-755-8981 8866 Fax: +86-755-8427 6832

Email & Skype: info@chipsmall.com Web: www.chipsmall.com

Address: A1208, Overseas Decoration Building, #122 Zhenhua RD., Futian, Shenzhen, China



Model 2882 BNC (Male) To Stacking Pin Tip Plugs



FEATURES:

- Cable interfaces a BNC based instrument to pin tip jacks.
- Shielding from BNC to the pin tip breakout area reduces the effect of signal leakage or noise interference.
- Pin tip plugs are vertically stackable for added test versatility.
- Pin tip plug and spring are gold plated for low contact resistance to ensure signal integrity.
- BNC connector center contact is gold plated and the dielectric is PTFE for superior performance.
- Schematic: Red pin tip plug to BNC center contact, Black pin tip plug to BNC Shell.

MATERIALS:

BNC: Body – Brass, Tarnish Resistant
 Center Contact: Brass, Gold Plated
 Dielectric: PTFE
 Cable: RG58C/U, 50 Ohm Impedance, Capacitance: 30.8 pF/Ft., .195" (5.0mm) O.D. Nom. Color: Black.
 Marking: POMONA 2882-C-xx

Molded Breakout: PVC molded to the coaxial cable and breakout leads. Color: Black
 Breakout Leads: 20 AWG, 41 x 36 t.c., .087" (2,21mm) O.D. Color matches pin tip plug
 Pin Tip Plugs: Body – Brass, Gold Plated
 Spring: Beryllium Copper, Gold Plated
 Insulation: Polypropylene, molded to the pin tip body and wire. Color: one black, one red.

RATING:

Operating Voltage: Hand-held Testing:
 30VAC/60VDC Max.
 Hands Free Testing in Controlled Voltage
 Environments: 500 VRMS
 Operating Temperature: +50°C (+122°F)

ORDERING INFORMATION: Model 2882-C-XX
 XX = Length in inches, Standard Lengths: 60" (152.40cm)

Ordering Ex: 2882-C-60, Cable length is 60 inches long excluding the BNC connector, molded breakout, and pin tip plugs & leads.

Additional lengths can be quoted upon request.

All dimensions are in inches. Tolerances (except noted): .xx = ±.02" (.51 mm), .xxx = ±.005" (.127 mm).
 All specifications are to the latest revisions. Specifications are subject to change without notice.
 Registered trademarks are the property of their respective companies. Made in USA