



Chipsmall Limited consists of a professional team with an average of over 10 year of expertise in the distribution of electronic components. Based in Hongkong, we have already established firm and mutual-benefit business relationships with customers from,Europe,America and south Asia,supplying obsolete and hard-to-find components to meet their specific needs.

With the principle of “Quality Parts,Customers Priority,Honest Operation,and Considerate Service”,our business mainly focus on the distribution of electronic components. Line cards we deal with include Microchip,ALPS,ROHM,Xilinx,Pulse,ON,Everlight and Freescale. Main products comprise IC,Modules,Potentiometer,IC Socket,Relay,Connector.Our parts cover such applications as commercial,industrial, and automotives areas.

We are looking forward to setting up business relationship with you and hope to provide you with the best service and solution. Let us make a better world for our industry!



Contact us

Tel: +86-755-8981 8866 Fax: +86-755-8427 6832

Email & Skype: info@chipsmall.com Web: www.chipsmall.com

Address: A1208, Overseas Decoration Building, #122 Zhenhua RD., Futian, Shenzhen, China



Wireless set - ILB BT ADIO MUX-OMNI - 2884208

Please be informed that the data shown in this PDF Document is generated from our Online Catalog. Please find the complete data in the user's documentation. Our General Terms of Use for Downloads are valid (<http://phoenixcontact.com/download>)




Wireless-MUX set, two modules with 16 digital inputs and outputs and 2 analog inputs and outputs (0 ... 20 mA, 0 ... 10 V) each, incl. omnidirectional antennas with 1.5 m cable

Why buy this product

- It couldn't be simpler: unpack – connect – switch on
- Wireless diagnostics by means of bar graph
- Range of 50 m ... 100 m in industrial halls with omnidirectional antennas and up to 400 m outdoors with directional antennas
- Quick connection establishment and signal transmission
- Plug&Play - startup without configuration
- Current Bluetooth 4.0 technology



Key Commercial Data

Packing unit	1 STK
GTIN	 4 046356 049597
GTIN	4046356049597

Technical data

Note

Utilization restriction	EMC: class A product, see manufacturer's declaration in the download area
-------------------------	---

Dimensions

Width	95 mm
Height	123.4 mm
Depth	57 mm
Note on dimensions	with connectors

Ambient conditions

Ambient temperature (operation)	-25 °C ... 60 °C
Ambient temperature (storage/transport)	-25 °C ... 85 °C

Wireless set - ILB BT ADIO MUX-OMNI - 2884208

Technical data

Ambient conditions

Permissible humidity (operation)	95 % (non-condensing)
Permissible humidity (storage/transport)	95 %
Air pressure (operation)	795 hPa ... 1080 hPa (up to 2000 m above sea level)
Air pressure (storage/transport)	66 kPa ... 108 kPa (up to 3500 m above sea level)
Degree of protection	IP20

Wireless interface

Wireless standard	Based on Bluetooth 4.0
Modulation type	GFSK (Gaussian Frequency Shift Keying)
Antenna connection method	RSMA (female)
Frequency range	2.402 GHz ... 2.48 GHz (ISM bandwidth)
Transmission power	5 dBm
Receiver sensitivity	-95 dBm

Power supply for module electronics

Connection method	Inline connector
Supply voltage	24 V DC
Supply voltage range	19.2 V DC ... 30.5 V DC (via power connector)
Current consumption	60 mA (Communications power at 24 V DC, 25 °C)
	25 mA (Actuator supply, +load current Digital OUT (8 A))
Type of protection	Polarity protection, surge protection

Digital inputs

Input name	Digital inputs
Connection method	Spring-cage connection
Connection technology	1-wire
Number of inputs	16
	16
Input voltage range "0" signal	< 5 V
Input voltage range "1" signal	> 15 V
Input frequency	≤ 10 Hz
Typical input current per channel	2.3 mA

Digital outputs

Output name	Digital outputs
Connection method	Spring-cage connection
Connection technology	1-wire
Number of outputs	16
Type of protection	Short-circuit protection, overload protection, protected against reverse voltages
Nominal output voltage	24 V DC
Output current	8 A (Total)
Maximum output current per channel	500 mA

Wireless set - ILB BT ADIO MUX-OMNI - 2884208

Technical data

Digital outputs

Nominal load, inductive	12 VA (1.2 H, 50 Ω)
Nominal load, lamp	12 W
Nominal load, ohmic	12 W (48 Ω)

Analog inputs

Description of the input	Single ended
Input name	Analog inputs
Number of inputs	2
Type of protection	Surge voltage
Measured value resolution	12 bits
Current input signal	0 mA ... 20 mA
Input resistance current input	50 Ω
Voltage input signal	0 V ... 10 V
Input resistance of voltage input	130 kΩ

Analog outputs

Number of outputs	2
Output name	Analog outputs
Type of protection	Transient protection
DAC resolution	12 Bit
Current output signal	0 mA ... 20 mA
Load/output load current output	≤ 500 Ω
Voltage output signal	0 V ... 10 V
Load/output load voltage output	≥ 2 kΩ

General

Housing material	PA 6.6-FR
Mounting type	DIN rail
Net weight	885 g
Note on weight specifications	one module, incl. connector, without antenna
Degree of pollution	2
MTBF	465 Years (Telcordia standard, 25°C temperature, 21% operating cycle (5 days a week, 8 hours a day))
	140 Years (Telcordia standard, 40°C temperature, 34.25% operating cycle (5 days a week, 12 hours a day))
MTTF	1458 Years (Telcordia standard, 25°C temperature, 21% operating cycle (5 days a week, 8 hours a day))
	557 Years (Telcordia standard, 40°C temperature, 34.25% operating cycle (5 days a week, 12 hours a day))
	219 Years (Telcordia standard, temperature 40 °C, operating cycle 100 % (7 days a week, 24 hours a day))
Diagnostics messages	Short-circuit / overload of the digital outputs LED
	Wireless connection FS LED
	Logic and actuator voltage LED

Wireless set - ILB BT ADIO MUX-OMNI - 2884208

Technical data

General

	Link quality of the wireless connection 4 LEDs
Switch-on time	≤ 3 s (Until the wireless connection is established)
Delay time	≤ 10 ms (Latency, typical)
	≤ 800 ms (Failsafe function for wireless interruption)
Wireless licenses	Europe, additional countries in the e-shop
Wireless licences	Belgium
	Bulgaria
	Denmark
	Germany
	Estonia
	Finland
	France
	Greece
	Great Britain
	Ireland
	Iceland
	Israel
	Italy
	Japan
	Canada
	Latvia
	Liechtenstein
	Lithuania
	Luxembourg
	Malta
	Netherlands
	Norway
	Austria
	Poland
	Portugal
	Romania
	Russia
	Sweden
	Switzerland
	Singapore
	Slovakia
	Slovenia
	Spain
	South Africa
	Czech Republic

Wireless set - ILB BT ADIO MUX-OMNI - 2884208

Technical data

General

	Turkey
	Hungary
	USA
	Cyprus (rep.)
Mounting type	DIN rail mounting

Standards and Regulations

Electromagnetic compatibility	Conformance with EMC Directive 2014/30/EU
Standard designation	RED directive 2014/53/EU
Standards/regulations	EN 300328
	EN 61000-6-4
	EN 61000-6-2
	EN 62311
	EN 60950
Mechanical tests	Vibration resistance in acc. with EN 60068-2-6/IEC 60068-2-6 5g, 10...150 Hz, 2.5 h, in XYZ direction
	Shock in acc. with EN 60068-2-27/IEC 60068-2-27 16g, 11 ms
Free from substances that could impair the application of coating	according to P-VW 3.10.7 57 65 0 VW-AUDI-Seat central standard
Connection in acc. with standard	CUL
Standards/regulations	EN 61000-4-2
Contact discharge	± 6 kV (Test Level 3)
Indirect discharge	± 6 kV
Standards/regulations	EN 61000-4-3
Frequency range	26 MHz ... 3 GHz (Test Level 3)
Standards/regulations	EN 61000-4-4
Comments	Criterion B
Standards/regulations	EN 61000-4-5
Signal	± 1 kV (Signal line, asymmetrical)
Standards/regulations	EN 61000-4-6
Frequency range	0.15 MHz ... 80 MHz
Conformance	CE-compliant (RED Directive 2014/53/EU)
	FCC Directive, Part 15.247
	ISC Directive RSS 210
UL, USA/Canada	UL 508 Listed
Protection class	III
MIC rating	Japan MIC (RF) ID:202-LSF002

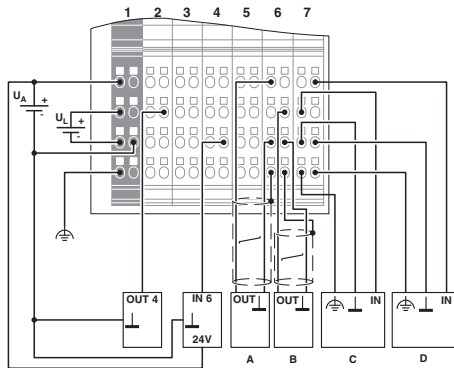
Environmental Product Compliance

China RoHS	Environmentally friendly use period: unlimited = EFUP-e
	No hazardous substances above threshold values

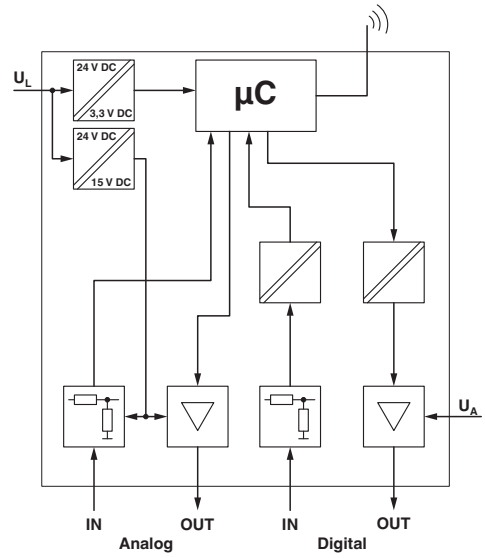
Drawings

Wireless set - ILB BT ADIO MUX-OMNI - 2884208

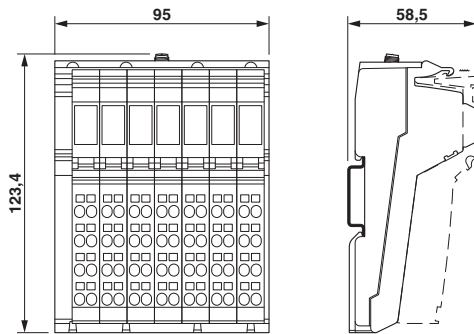
Connection diagram



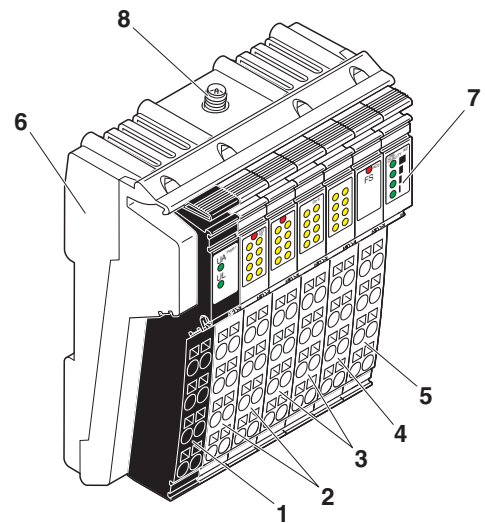
Block diagram



Dimensional drawing

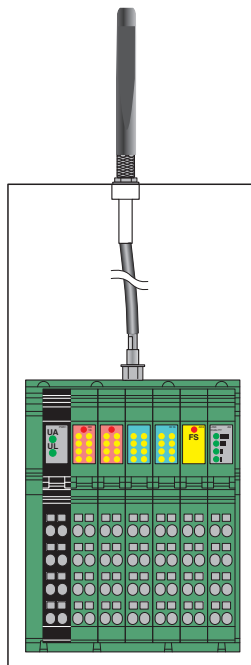


Schematic diagram

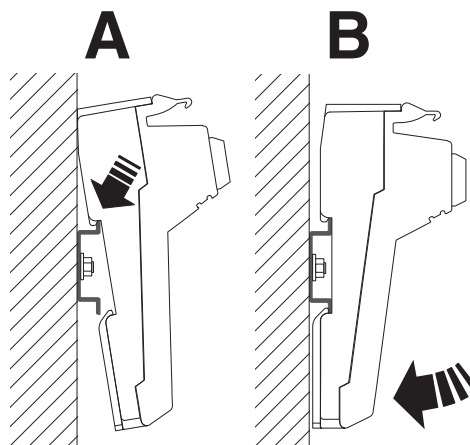


Wireless set - ILB BT ADIO MUX-OMNI - 2884208

Schematic diagram



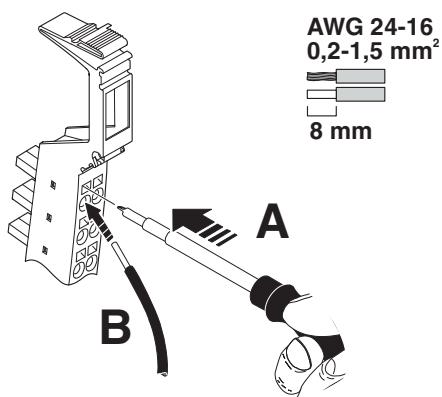
Schematic diagram



Mounting

Installation example

Schematic diagram



Connecting cables

Articles in set

Wireless set - ILB BT ADIO MUX - 2702875



Wireless-MUX set, two modules with 16 digital inputs and outputs and 2 analog inputs and outputs (0 - 20 mA, 0 - 10 V) each, without antennas

Wireless set - ILB BT ADIO MUX-OMNI - 2884208

Articles in set

Antenna - RAD-ISM-2400-ANT-OMNI-2-1-RSMA - 2701362



Omnidirectional antenna, 2.4 GHz, gain: 2 dBi, polarization: linear, opening angle: h/v 360°/75°, degree of protection: IP65, connection: RSMA (male), incl. 1.5 m / 5 ft. connecting cable and mounting bracket for wall mounting

Approvals

Approvals

Approvals

EAC / EAC / KC / FCC / Industry Canada / MIC

Ex Approvals

Approval details

EAC		EAC-Zulassung
EAC		RU *- DE.A*30.B.01735
KC		http://eng.kcc.go.kr/user/ehpMain.do MSIP-CRI- PCK-2884208
FCC		YG3ADIOMUX
Industry Canada		4720B-ADIOMUX
MIC		202-LSF002

Phoenix Contact 2018 © - all rights reserved
<http://www.phoenixcontact.com>

PHOENIX CONTACT GmbH & Co. KG
Flachsmarktstr. 8
32825 Blomberg
Germany
Tel. +49 5235 300
Fax +49 5235 3 41200
<http://www.phoenixcontact.com>