



Chipsmall Limited consists of a professional team with an average of over 10 year of expertise in the distribution of electronic components. Based in Hongkong, we have already established firm and mutual-benefit business relationships with customers from,Europe,America and south Asia,supplying obsolete and hard-to-find components to meet their specific needs.

With the principle of “Quality Parts,Customers Priority,Honest Operation,and Considerate Service”,our business mainly focus on the distribution of electronic components. Line cards we deal with include Microchip,ALPS,ROHM,Xilinx,Pulse,ON,Everlight and Freescale. Main products comprise IC,Modules,Potentiometer,IC Socket,Relay,Connector.Our parts cover such applications as commercial,industrial, and automotives areas.

We are looking forward to setting up business relationship with you and hope to provide you with the best service and solution. Let us make a better world for our industry!



Contact us

Tel: +86-755-8981 8866 Fax: +86-755-8427 6832

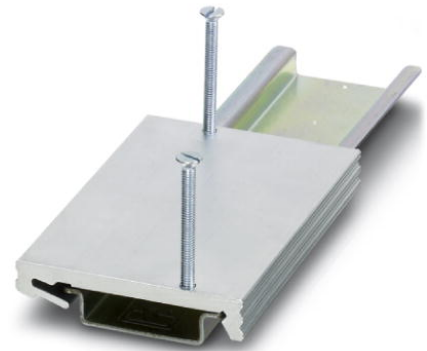
Email & Skype: info@chipsmall.com Web: www.chipsmall.com

Address: A1208, Overseas Decoration Building, #122 Zhenhua RD., Futian, Shenzhen, China




FL BT ADAPTER

Order No.: 2884949



<http://eshop.phoenixcontact.de/phoenix/treeViewClick.do?UID=2884949>

The DIN rail adapter is required to snap the Bluetooth devices FL BLUETOOTH AP, FL BT MOD IO AP, FL WLAN SPA and FL BT SPA onto a DIN rail. To do this, it is mounted on the respective device using the two enclosed screws.

Commercial data	
GTIN (EAN)	 4 046356 166645
sales group	K004
Pack	1 pcs.
Customs tariff	85176200
Catalog page information	Page 322 (NTK-2010)

Product notes

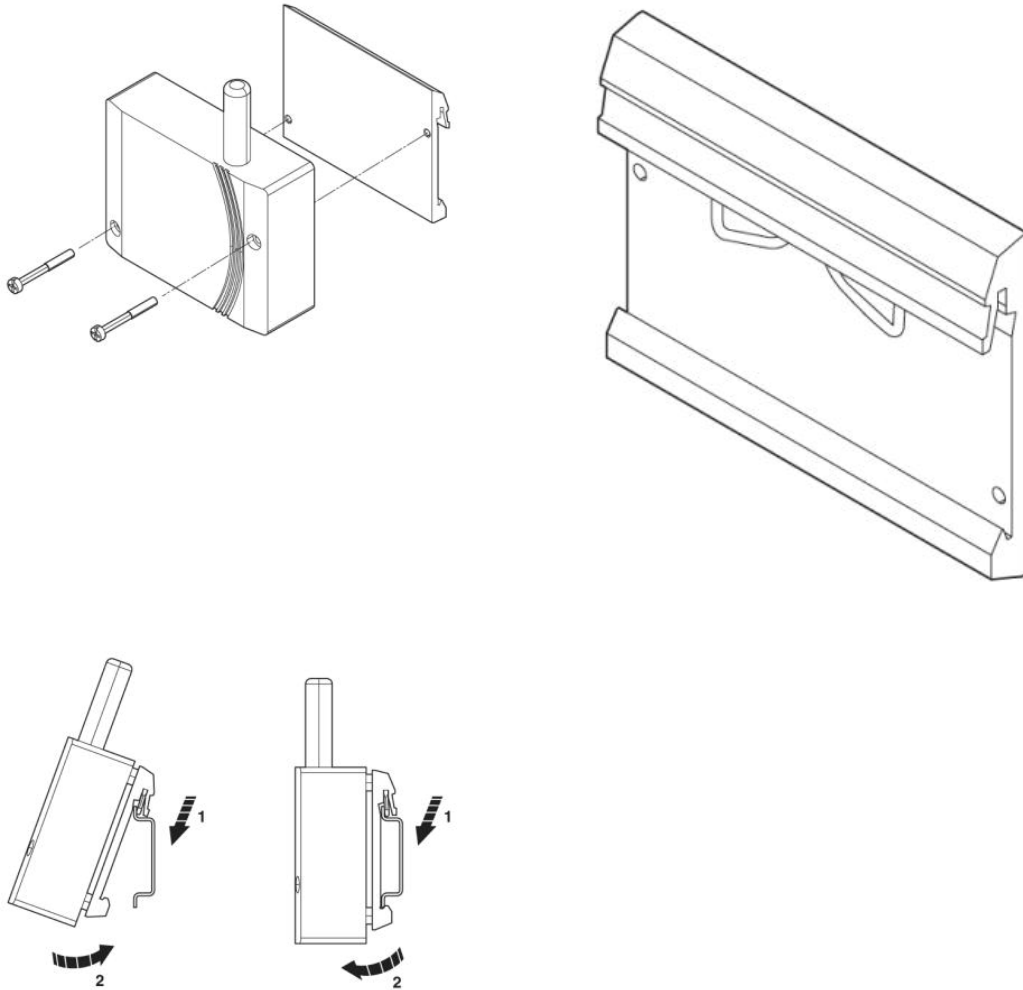
WEEE/RoHS-compliant since:
04/08/2008



<http://www.download.phoenixcontact.com>
Please note that the data given here has been taken from the online catalog. For comprehensive information and data, please refer to the user documentation. The General Terms and Conditions of Use apply to Internet downloads.

Diagrams/Drawings

Dimensioned drawing



FL BT ADAPTER Order No.: 2884949

<http://eshop.phoenixcontact.de/phoenix/treeViewClick.do?UID=2884949>

Address

PHOENIX CONTACT Deutschland GmbH
Flachmarktstr. 8
32825 Blomberg, Germany
Phone +49 5235 3 12000
Fax +49 5235 3 41200
<http://www.phoenixcontact.de>



© 2011 Phoenix Contact
Technical modifications reserved;