



Chipsmall Limited consists of a professional team with an average of over 10 year of expertise in the distribution of electronic components. Based in Hongkong, we have already established firm and mutual-benefit business relationships with customers from,Europe,America and south Asia,supplying obsolete and hard-to-find components to meet their specific needs.

With the principle of “Quality Parts,Customers Priority,Honest Operation,and Considerate Service”,our business mainly focus on the distribution of electronic components. Line cards we deal with include Microchip,ALPS,ROHM,Xilinx,Pulse,ON,Everlight and Freescale. Main products comprise IC,Modules,Potentiometer,IC Socket,Relay,Connector.Our parts cover such applications as commercial,industrial, and automotives areas.

We are looking forward to setting up business relationship with you and hope to provide you with the best service and solution. Let us make a better world for our industry!



## Contact us

Tel: +86-755-8981 8866 Fax: +86-755-8427 6832

Email & Skype: info@chipsmall.com Web: www.chipsmall.com

Address: A1208, Overseas Decoration Building, #122 Zhenhua RD., Futian, Shenzhen, China




# RAD-ISM-2400-ANT-VAN- 3-0-SMA

Order No.: 2885867

<http://eshop.phoenixcontact.de/phoenix/treeViewClick.do?UID=2885867>

Omnidirectional antenna with protection against vandalism, 3 dBi gain, IP55 protection, 1.5 m cable length, SMA (male) connection, apex angle h/v 360°/85°. Appropriate assembly material is available for wall mounting.

Commercial data	
GTIN (EAN)	 4 046356 126120
sales group	H179
Pack	1 pcs.
Customs tariff	85177019
Catalog page information	Page 535 (IF-2009)

**Product notes**WEEE/RoHS-compliant since:  
05/22/2006

<http://www.download.phoenixcontact.com>  
Please note that the data given here has been taken from the online catalog. For comprehensive information and data, please refer to the user documentation. The General Terms and Conditions of Use apply to Internet downloads.

Technical data	
<b>General data</b>	
Frequency range	2.4 GHz
Horizontal beamwidth	360 °
Vertical beamwidth	85 °

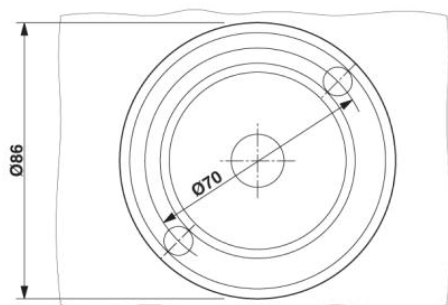
Impedance	50 $\Omega$
Gain	3 dBi
Wind load	10 N (at 160 km/h)
Type of connection	SMA (male) with cable (1.5 m)
Degree of protection	IP55
Ambient temperature (operation)	-40 °C ... 80 °C
Ambient temperature (storage/transport)	-40 °C ... 80 °C
Width	86 mm
Height	43 mm
Housing material	Aluminum

### Accessories

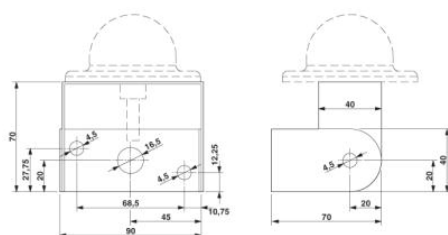
Item	Designation	Description
<b>General</b>		
2885870	RAD-ANT-VAN-MKT	Mounting material for wall mounting of OMNI omnidirectional antenna with protection against vandals

### Diagrams/Drawings

Drilling plan/solder pad geometry



Dimensioned drawing



**Address**

PHOENIX CONTACT Deutschland GmbH  
Flachmarktstr. 8  
32825 Blomberg, Germany  
Phone +49 5235 3 12000  
Fax +49 5235 3 41200  
<http://www.phoenixcontact.de>



© 2011 Phoenix Contact  
Technical modifications reserved;