



Chipsmall Limited consists of a professional team with an average of over 10 year of expertise in the distribution of electronic components. Based in Hongkong, we have already established firm and mutual-benefit business relationships with customers from,Europe,America and south Asia,supplying obsolete and hard-to-find components to meet their specific needs.

With the principle of "Quality Parts,Customers Priority,Honest Operation,and Considerate Service",our business mainly focus on the distribution of electronic components. Line cards we deal with include Microchip,ALPS,ROHM,Xilinx,Pulse,ON,Everlight and Freescale. Main products comprise IC,Modules,Potentiometer,IC Socket,Relay,Connector.Our parts cover such applications as commercial,industrial, and automotives areas.

We are looking forward to setting up business relationship with you and hope to provide you with the best service and solution. Let us make a better world for our industry!



Contact us

Tel: +86-755-8981 8866 Fax: +86-755-8427 6832

Email & Skype: info@chipsmall.com Web: www.chipsmall.com

Address: A1208, Overseas Decoration Building, #122 Zhenhua RD., Futian, Shenzhen, China



FL SWITCH SFN...

Five- and Eight-Port Standard Function Ethernet Switches with Narrow Housings – Gigabit as an Option



AUTOMATION

Data Sheet
2732_en_D

© PHOENIX CONTACT 2011-01-26

1 Description

The FL SWITCH SFN... range of Factory Line switches with standard functions in numerous versions can be used for quick and cost-effective Ethernet network expansion to the field level. Due to their narrow housing design, the components are suitable for universal remote use in control cabinets and junction boxes. The switches have five or eight ports, up to two of which are glass fiber ports provided in SC or ST format. The switches support the auto negotiation function at the twisted pair ports and offer transmission speeds of 10/100/1000 Mbps depending on the switch version. Mixed operation for the connection of segments with different data transmission speeds is also supported. The glass fiber ports only support 100 Mbps or 1000 Mbps (Gigabit version).

The RJ45 ports offer an auto crossing function, which means it is not necessary to make a distinction between 1:1 and crossover cables.

The fiber optic ports can be used to extend the segment length up to 20 km. Unused RJ45 ports can be fitted with security caps to provide mechanical protection against unauthorized use.

The FL SWITCH SFN...GT... switches offer additional gigabit performance, alarm contact and redundant power input capability.

2 Features

- Increased network performance
 - Switched Ethernet reduces traffic and non predictable timing
 - Quality of Service: Pretagged high priority messages are forwarded before lower priority messages during periods of high network traffic loading
 - Gigabit options for data intensive applications
 - Gigabit switches support jumbo frames up to 9600 bytes per frame
- Easy network expansion
 - No configuration of the switch
 - Auto negotiation and autocross simplify cabling
 - Coupling copper network segments with different bit rates with automatic detection of the data transmission speed of 10 Mbps, 100 Mbps or 1000 Mbps depending on the switch version
- Fiber optic options extend distance and electrical noise immunity
 - 1- or 2-port options
 - SC or ST connector options
 - Multimode or singlemode option
- Low cost, low complexity security (optional)
 - Connect Layer 1 security elements at the RJ45 port to restrict access or tampering



Please note the different connection directions of the transmission media for **five-port switches**: copper cables are connected at the **front**, glass fiber cables at the **bottom**.



Make sure you always use the latest documentation.
It can be downloaded at www.phoenixcontact.net/catalog.



This data sheet is valid for all products listed on the following page:

- No software setup needed

3 Ordering Data

Ethernet Switches with 10/100 Mbps

Description	Type	Order No.	Pcs./Pkt.
Ethernet switch with 5 RJ45 ports for 10/100 Mbps	FL SWITCH SFN 5TX	2891152	1
Ethernet switch with 4 RJ45 ports and 1 fiber optic port in SC format for 10/100 Mbps	FL SWITCH SFN 4TX/FX	2891851	1
Ethernet switch with 4 RJ45 ports and 1 fiber optic port in ST format for 10/100 Mbps	FL SWITCH SFN 4TX/FX ST	2891453	1
Ethernet switch with 8 RJ45 ports for 10/100 Mbps	FL SWITCH SFN 8TX	2891929	1
Ethernet switch with 7 RJ45 ports and 1 fiber optic port in SC format for 10/100 Mbps	FL SWITCH SFN 7TX/FX	2891097	1
Ethernet switch with 7 RJ45 ports and 1 fiber optic port in ST format for 10/100 Mbps	FL SWITCH SFN 7TX/FX ST	2891110	1
Ethernet switch with 6 RJ45 ports and 2 fiber optic ports in SC format	FL SWITCH SFN 6TX/2FX	2891314	1
Ethernet switch with 6 RJ45 ports and 2 fiber optic ports in ST format for 10/100 Mbps	FL SWITCH SFN 6TX/2FX ST	2891411	1

Ethernet Switches with 10/100/1000 Mbps (Gigabit)

Description	Type	Order No.	Pcs./Pkt.
Ethernet switch with 8 RJ45 ports for 10/100/1000 Mbps	FL SWITCH SFN 8GT	2891673	1
Ethernet switch with 7 RJ45 ports for 10/100/1000 Mbps and 1 fiber optic port in SC format (multi-mode), 850 nm up to 550 m distance	FL SWITCH SFN 7GT/SX	2891518	1
Ethernet switch with 6 RJ45 ports for 10/100/1000 Mbps and 2 fiber optic ports in SC format (multi-mode), 850 nm up to 550 m distance	FL SWITCH SFN 6GT/2SX	2891398	1
Ethernet switch with 6 RJ45 ports for 10/100/1000 Mbps and 2 fiber optic ports in SC format (single mode), 1310 nm up to 10 km distance	FL SWITCH SFN 6GT/2LX	2891987	1
Ethernet switch with 6 RJ45 ports for 10/100/1000 Mbps and 2 fiber optic ports in SC format (single mode), 1310 nm up to 20 km distance	FL SWITCH SFN 6GT/2LX-20	2891563	1

Accessories

Description	Type	Order No.	Pcs./Pkt.
Universal end clamp	E/NS 35 N	0800886	50
Dust protection caps for RJ45 female connectors	FL RJ45 PROTECT CAP	2832991	10
Patch angle with 2 ports in CAT 5e	FL PF 2TX CAT5E	2891165	1
Patch angle with 8 ports in CAT 5e	FL PF 8TX CAT5E	2891178	1
Patch angle with 2 ports in CAT 6	FL PF 2TX CAT6	2891068	1
Patch angle with 8 ports in CAT 6	FL PF 8TX CAT6	2891071	1
Patch angle with security elements for 2 ports in CAT 5e	FL PF SEC 2TX	2832687	1
Patch angle with security elements for 8 ports in CAT 5e	FL PF SEC 8TX	2832690	1
Patchbox 8 x RJ45 CAT 5e, pre-assembled, can be retrofitted	FL PBX 8TX	2832496	1
Patchbox 6 x RJ45 CAT 5e and 4 SC-RJ, glass pre-assembled, can be retrofitted	FL PBX 6TX/4FX	2832506	1
Patch cable, CAT 5, pre-assembled, 0,3 m long	FL CAT5 PATCH 0,3	2832250	10
Patch cable, CAT 5, pre-assembled, 0,5 m long	FL CAT5 PATCH 0,5	2832263	10
Patch cable, CAT 5, pre-assembled, 1,0 m long	FL CAT5 PATCH 1,0	2832276	10
Patch cable, CAT 5, pre-assembled, 1,5 m long	FL CAT5 PATCH 1,5	2832221	10
Patch cable, CAT 5, pre-assembled, 2,0 m long	FL CAT5 PATCH 2,0	2832289	10
Patch cable, CAT 5, pre-assembled, 3,0 m long	FL CAT5 PATCH 3,0	2832292	10
Patch cable, CAT 5, pre-assembled, 5,0 m long	FL CAT5 PATCH 5,0	2832580	10
Patch cable, CAT 5, pre-assembled, 7,5 m long	FL CAT5 PATCH 7,5	2832616	10
Patch cable, CAT 5, pre-assembled, 10,0 m long	FL CAT5 PATCH 10	2832629	10
Security set for 4 RJ45 ports	FL SEC PAC 4TX	2832865	4
Security frame for SFN switch and patch fields, green	FL PLUG GUARD, GN	2891615	20

Accessories

Description	Type	Order No.	Pcs./Pkt.
Security frame for SFN switch and patch fields, red	FL PLUG GUARD, RD	2891712	20
Security frame for SFN switch and patch fields, white	FL PLUG GUARD, WH	2891819	20
Security frame for SFN switch and patch fields	FL PORT GUARD	2891220	20
Security frame for SFN switch and patch fields	FL PLUG GUARD KEY	2891327	1
Security element for FL CAT patch	FL PATCH SAFE CLIP	2891246	20

4 Technical Data

General Data	
Function	Switch/repeater; conforms to standard IEEE 802.3
Latency of the communication processor	8 µs plus frame time
Housing dimensions (width x height x depth)	
5-port switch, without connectors	30 x 120 x 100 mm (without COMBICON/without fiber optics)
8-port switch, without connectors	50 x 120 x 100 mm (without COMBICON/without fiber optics)
Operating temperature	
FL SWITCH SFN ...TX... and FL SWITCH SFN 6GT/2LX-20	0 to 60°C
FL SWITCH SFN 8GT, FL SWITCH SFN 6GT/2SX, FL SWITCH SFN 7GT/SX	-25 to 75°C
FL SWITCH SFN 6GT/2LX	-25 to 60°C
Storage temperature	
FL SWITCH SFN...TX... switches	-20 to 70°C
FL SWITCH SFN...GT... switches (not FL SWITCH SFN 6GT/2LX-20)	-35 to 85°C
FL SWITCH SFN 6GT/2LX-20	-20 to 70°C
Degree of protection	IP20, DIN 40050, IEC 60529
Protection class	Class 3 VDE 0106; IEC 60536
Humidity (operation and storage)	5% to 95%, no condensation
Air pressure (operation)	86 kPa to 108 kPa, 1500 m above sea level
Air pressure (storage)	66 kPa to 108 kPa, 3500 m above sea level
Mounting	NS 35 (EN 60715)
Preferred mounting position	Perpendicular to a standard DIN rail
Connection to protective ground	Snapped onto a grounded DIN rail
Weight, without connectors	
5-port switch	265 g
8-port switch	440 g
Supply Voltage (US)	
Connection type	Removable COMBICON, screw-cage connector
Wire size (solid/stranded/AWG)	0.2 to 2.5 mm ² / 0.2 to 2.5 mm ² / 24 to 12 AWG
Recommended PE wire size	2.5 mm ²
Nominal power supply	12 or 24 V DC
Permissible ripple	3.6 V _{pp} within the permissible voltage range
Permissible voltage range	9 V DC to 30.2 V DC
Test voltage	500 V DC for one minute
Protection against polarity reversal	Present

Current Consumption and Inrush Current

	Current Consumption (max)	Inrush Current
FL SWITCH SFN 5TX	90 mA (24 V DC)/205 mA (9 V DC)	2.3 A for 3 ms
FL SWITCH SFN 4TX/FX	140 mA (24 V DC)/405 mA (9 V DC)	2.4 A for 2 ms
FL SWITCH SFN 4TX/FX ST	140 mA (24 V DC)/405 mA (9 V DC)	2.9 A for 2 ms
FL SWITCH SFN 8TX	140 mA (24 V DC)/340 mA (9 V DC)	3.1 A for 2 ms
FL SWITCH SFN 7TX/FX	190 mA (24 V DC)/480 mA (9 V DC)	3.4 A for 2 ms
FL SWITCH SFN 7TX/FX ST	190 mA (24 V DC)/480 mA (9 V DC)	3.4 A for 2 ms
FL SWITCH SFN 6TX/2FX	230 mA (24 V DC)/610 mA (9 V DC)	3.6 A for 2 ms
FL SWITCH SFN 6TX/2FX ST	230 mA (24 V DC)/610 mA (9 V DC)	3.3 A for 2 ms
FL SWITCH SFN 8GT	430 mA (24 V DC)/1010 mA (9 V DC)	3.1 A for 3 ms
FL SWITCH SFN 7GT/SX	320 mA (24 V DC)/900 mA (9 V DC)	4.2 A for 3 ms
FL SWITCH SFN 6GT/2SX	350 mA (24 V DC)/960 mA (9 V DC)	4.4 A for 3 ms
FL SWITCH SFN 6GT/2LX	360 mA (24 V DC)/950 mA (9 V DC)	4.4 A for 3 ms
FL SWITCH SFN 6GT/2LX-20	360 mA (24 V DC)/990 mA (9 V DC)	4.4 A for 3 ms

Interfaces

Total number of RJ45 Ethernet interfaces	5/8
MAC Address Table Size (Entries)	1 K (4, 5, 8 TX versions), 8 K (all others)
Properties of RJ45 Ports	
Number	4/5/6/7/8
Connection format	8-pos. RJ45 female connector on the switch
Connection medium	Twisted-pair cable with a conductor cross section of 0.14 mm ² to 0.22 mm ²
Cable impedance	100 Ω
Transmission speed	10/100 Mbps or 10/100/1000 Mbps
Maximum network segment length	100 m
Properties of Fiber Optic Ports	
Number	0/1/2
Connection format	
100 Mbps	SC duplex or ST female connector
1000 Mbps	SC duplex
Fiber type	Glass
Laser protection	Class 1 according to DIN EN 60825-1:2001-11
Properties of 100 Mbps Multimode	
Transmission rate	100 Mbps full duplex
Wavelength	1300/1310 nm
Maximum transmission length, including 3 dB system reserve and 1.5 dB connector loss	5.4 km glass fiber with F-G 50/125 0.7 dB/km F1200 2.4 km glass fiber with F-G 50/125 1.6 dB/km F800 10.4 km glass fiber with F-G 62.5/125 0.7 dB/km F1000 2.8 km glass fiber with F-G 62.5/125 2.6 dB/km F600
Transmission power (medium type) dynamic (average)	
Minimum	-23.5 dBm (50/125 μm) / -20 dBm (62.5/125 μm)
Maximum	-14 dBm (50/125 μm) / -14 dBm (62.5/125 μm)
Transmission power (medium type) static	
Minimum	-22.5 dBm (50/125 μm) / -19 dBm (62.5/125 μm)
Maximum	-14 dBm (50/125 μm) / -14 dBm (62.5/125 μm)
Receiver sensitivity	
Minimum	-31 dBm (dynamic) / -31 dBm (static)
Maximum	-14 dBm (dynamic) / -14 dBm (static)
Properties of 1000 Mbps Multimode	
Transmission rate	1.25 Gbps full duplex
Wavelength	850 nm

Interfaces (Continued)

Maximum transmission length	550 m (50/125 μ m) 220 m (62.5/125 μ m)
-----------------------------	--

Transmission power	
Minimum	-9.5 dBm
Maximum	-4 dBm

Receiver sensitivity	
Minimum	-17 dBm
Maximum	-3 dBm

Properties of 1000 Mbps single mode

Transmission rate	1.25 Gbps full duplex
-------------------	-----------------------

Wavelength	1310 nm
------------	---------

Maximum transmission length	
FL SWITCH 6GT/2LX	10 km (9/125 μ m)
FL SWITCH 6GT/2LX-20	20 km (9/125 μ m)

Transmission power	
Minimum	-10 dBm
Maximum	-3 dBm

Receiver sensitivity	
Minimum	-24 dBm
Maximum	-0 dBm

Alarm Contacts (FL SWITCH SFN...GT... only)

Voltage	24 V DC typical
Current carrying capacity	100 mA maximum including inrush









Mechanical Tests

Shock test according to IEC 60068-2-27	Operation: 25g, 11 ms period, half-sine shock pulse Storage/transport: 50g, 11 ms period, half-sine shock pulse
Vibration resistance according to IEC 60068-2-6	Operation/storage/transport: 5g, 150 Hz, Criterion 3
Free fall according to IEC 60068-2-32	1 m

Conformance With EMC Directives

Developed according to IEC 61000-6-2	
IEC 61000-4-2 (ESD)	Criterion B
IEC 61000-4-3 (radiated-noise immunity)	Criterion A
IEC 61000-4-4 (burst)	Criterion A
IEC 61000-4-5 (surge)	Criterion B
IEC 61000-4-6 (conducted noise immunity)	Criterion A
IEC 61000-4-8 (noise immunity against magnetic fields)	Criterion A
EN 55022 (noise emission)	Class A

Approvals

FL SWITCH SFN...TX... switch	   ROHS EEE 2002/95/EC, WEEE 2002/96/EC,  Class I, Division 2, Groups A, B, C, D Temp Code T5 installed in minimum IP54 enclosure
FL SWITCH SFN...GT... switch	   ROHS EEE 2002/95/EC, WEEE 2002/96/EC  Class I, Division 2, Groups A, B, C, D Temp Code T4 installed in minimum IP54 enclosure

Differences Compared to Previous Versions

7267 Version 00 - First version

7267 Version 01 - Update Gigabit, supply voltage, current consumption, surge and approvals

7267 Version 02 - Update 1000 Mbps multimode

2732 Document number was 7267 - Added jumbo frame content, edited operating temperature ranges, updated approval information, reformatted

2732B - Corrected transmission speed LED indications (Section 5.5) and clarified FL SWITCH SFN...GT... capability.

5 Overview

5.1 5-port Versions

The housings of the 5-port versions are identical. Port 5 is located on the bottom.

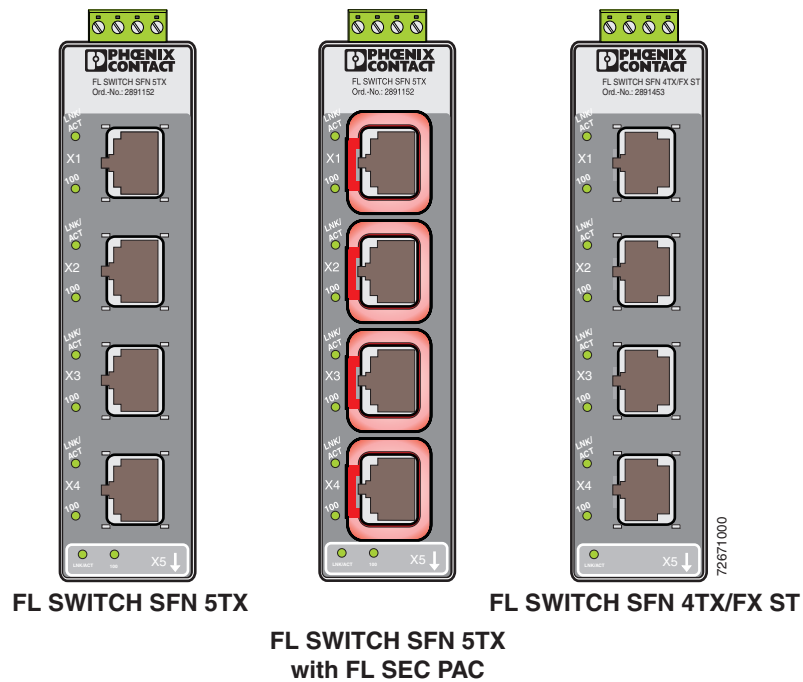


Figure 1 Housing examples for 5-port switches

5.2 8-port Versions

The housings of the 8-port versions are identical. On the fiber optic versions, the connections for the fiber optic ports are at the front. The physical location of the ports on the

FL SWITCH SFN...TX... and FL SWITCH SFN...GT... (Gigabit) switches are the same.

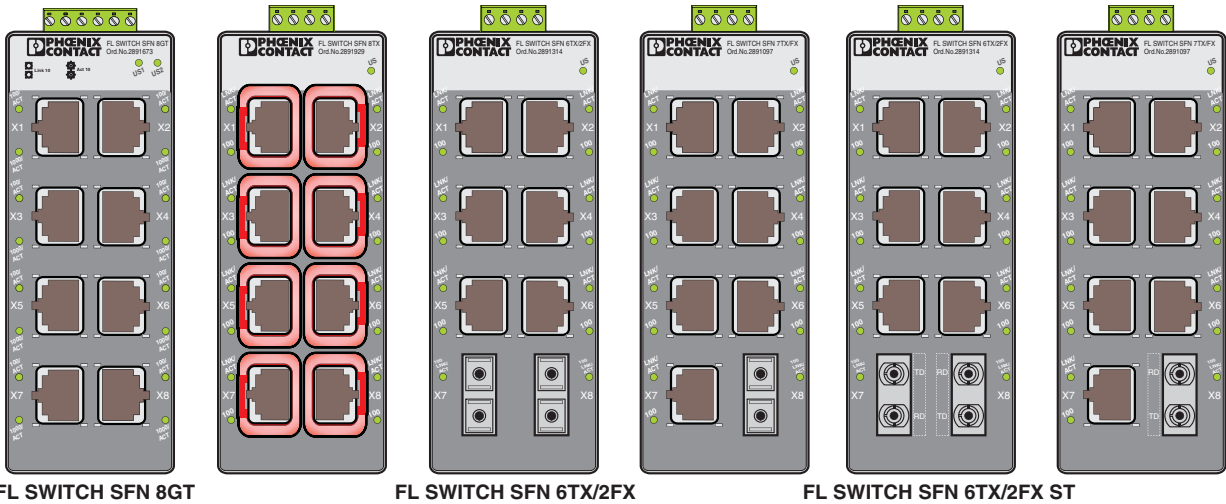


Figure 2 Housing examples for 8-port switches

5.3 Diagnostic and Status Indicators

Des.	Color	Status	Meaning
US1 and US2	green	ON	Supply voltage (U _S) in the tolerance range
		OFF	Supply voltage (U _S) too low

5.4 Data Transmission Speed LEDs (10/100 Mbps Switches)

	10 Mbps	100 Mbps
LNK/ACT	ON/blinking	ON/blinking
100	OFF	ON



LNK/ACT LED:
 ON: indicates an electrical link
 Flashing: indicates network traffic (at high data rates the blinking is in a constant rate)

5.5 Data Transmission Speed LEDs (10/100/1000 Mbps Switches)

	10 Mbps	100 Mbps	1000 Mbps
100/ACT	ON/blinking	ON/blinking	OFF
1000/ACT	ON/blinking	OFF	ON/blinking



One LED/port ON or blinking:
 ON: indicates an electrical link
 Flashing: indicates network traffic at the data rate (x Mbps)
 Both LEDs/port ON or blinking:
 Both ON: indicates a 10 Mbps electrical link
 Both flashing: indicates network traffic at 10 Mbps)

6 Installation



CAUTION:

Only qualified personnel may start up and operate this device. Qualified personnel are persons authorized to start up, ground and mark devices, systems, and equipment according to the standards of safety technology.



NOTE:

The FL SWITCH SFN... module is designed for SELV and PELV operation according to IEC 61140/EN 61140.



WARNING:

A.) THIS EQUIPMENT IS SUITABLE FOR USE IN CLASS I, ZONE 2, GROUPS A, B, C, AND D OR NON-HAZARDOUS LOCATIONS ONLY.
 B.) WARNING - EXPLOSION HAZARD - SUBSTITUTION OF COMPONENTS MAY IMPAIR SUITABILITY FOR CLASS I, ZONE 2.
 C.) WARNING - EXPLOSION HAZARD - DO NOT DISCONNECT EQUIPMENT UNLESS POWER HAS BEEN SWITCHED OFF OR THE AREA IS KNOWN TO BE NON-HAZARDOUS.

Install the FL SWITCH SFN... on a clean DIN rail. To avoid contact resistance use only clean, corrosion-free rails that meet the EN 50022 standard. End clamps should be mounted on both sides of the module to stop the modules from slipping on the rail.



NOTE:

Connect the DIN rail to protective earth ground using a grounding terminal block. The modules are grounded when they are snapped onto the rail. Connect protective earth ground with low impedance. 1000 Mbps switches have a protective ground connecting screw on top.

6.1 Assembly

1. Place the module onto the DIN rail from above. The upper holding keyway must be hooked onto the top edge of the DIN rail.
2. Push the module from the front towards the mounting surface.
3. Once the module has been snapped on properly, check that it is fixed securely on the rail.

6.2 Removal

1. Insert a suitable tool (e.g., needle-nose pliers) into the arresting latch and pull it down.
2. Pull the module slightly away from the mounting surface.
3. Lift the module from the rail.

6.3 Power Connection

The switch is designed for SELV and PELV operation at +24 V DC according to IEC 61140/EN 61140. Only SELV and PELV according to the defined standards may be used for supply purposes.

Snapping the switch onto a grounded DIN rail connects it to the ground potential. In an environment particularly prone to EMI, noise immunity can be increased by an additional low-impedance connection to functional earth ground.

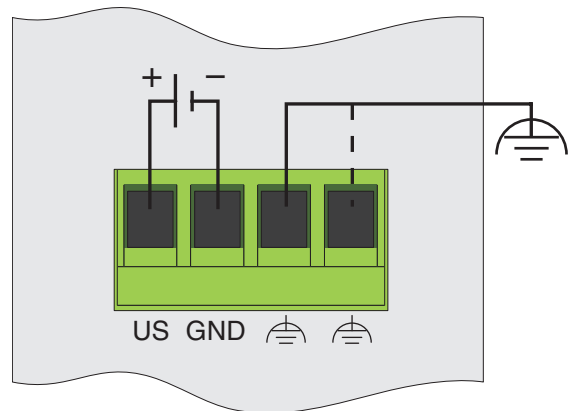


Figure 3 FL SWITCH SFN...TX... power connection

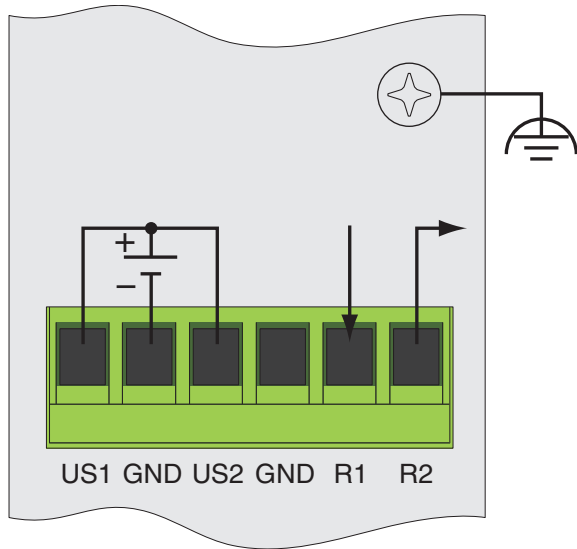


Figure 4 FL SWITCH SFN...GT... power connections for single power supply

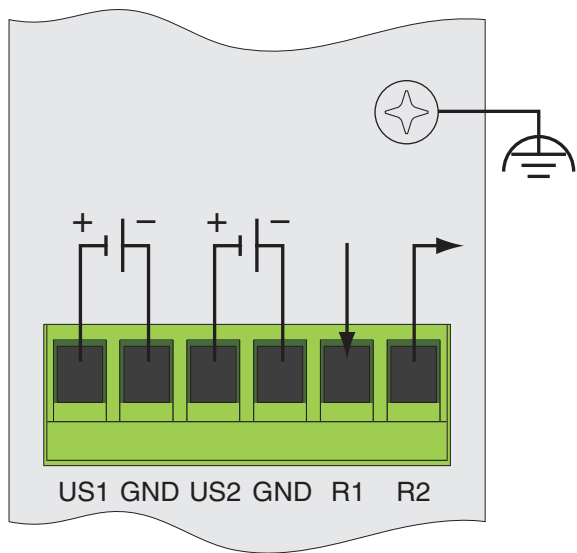


Figure 5 FL SWITCH SFN...GT... power connections for redundant power supply

Use power conductors between 0.2 - 2.5 mm² (24 - 12 AWG). Torque connection screws to 0.5 - 0.6 Nm (5 - 7 lb-in.).

6.4 Alarm Contact

The FL SWITCH SFN... switch provides contacts (R1, R2) for remote alarms if a failure is detected.

- The contact closes if one or both power supplies fail.
- The contact opens if power is OK.

The maximum current, including inrush, is 100 A.

6.5 Ethernet Interface

The FL SWITCH SFN... has five Ethernet ports on the front in RJ45 format to which only twisted-pair cables with an impedance of 100 Ω can be connected. The data transmission speed is 10/100 Mbps. In addition, every port has an auto crossing function: it is not necessary to make a distinction between 1:1 or crossover Ethernet cables.

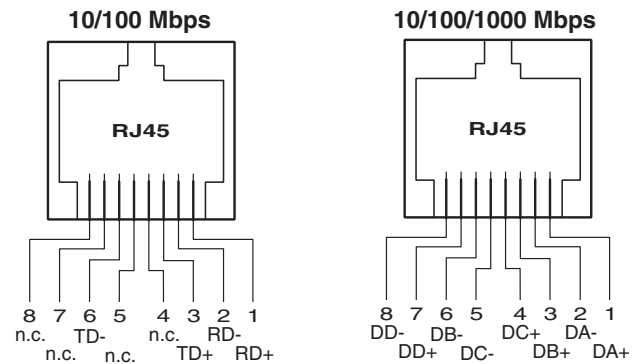


Figure 6 RJ45 pin assignment

6.6 Fiber Optic Connection

Two different types of fiber optic connection are available. The fiber optic connector(s) are located on the lower front face of the 8-port models or on the bottom face of the 5-port models.

The ST connectors are typically individual round connectors and use a 1/4-turn connection.

The SC connectors have a square interface and the “conductors” are typically locked together through the connector.

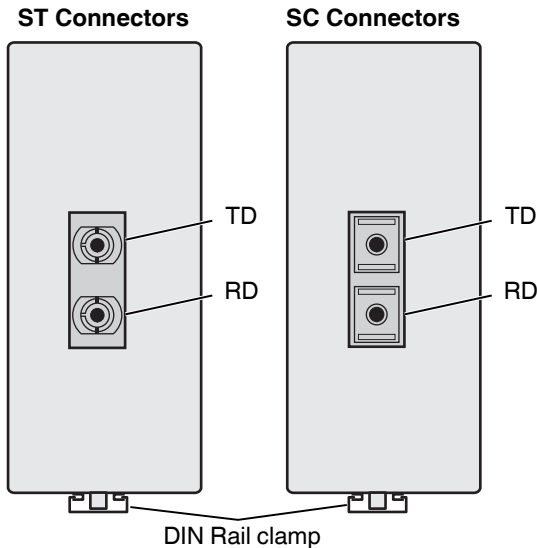


Figure 7 5-port fiber optic ports

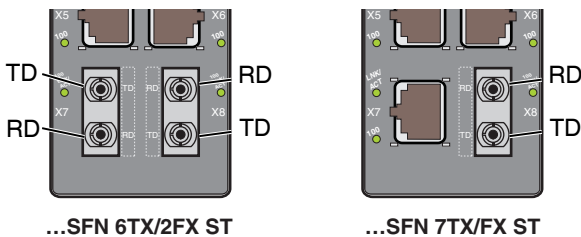


Figure 8 8-Port ST fiber optic ports

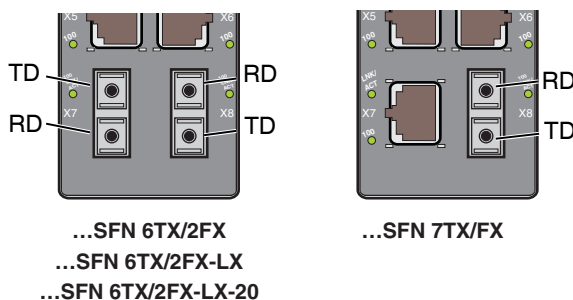


Figure 9 8-port SC fiber optic ports

6.7 Using the FL SEC PAC Kit for Port Security

Layer 1 Port security for up to 4 ports is provided by purchasing the FL SEC PAC kit. The kit contains four red security frames, four gray port blocking security caps, unlocking key and instructions. The red security frame must first be attached to each port that is to be secured.

1. First orient the red security frame so that the cable locking tabs of both the frame and the switch are aligned.
2. Insert the four mounting feet of the security frame into the pre-punched holes around the switch port and push until the frame snaps into place with an audible click.



Once attached, the security frames are permanently mounted and cannot be removed.

3. Inserted cables or gray port blocking security caps are now locked into place. Instructions for using the key to unlock the cables or security caps are included in the kit.

7 Switching Characteristics

– Store and Forward

All data telegrams received by the switch are saved and their validity checked. Invalid or faulty data packets (> 1522 bytes or CRC errors) and fragments (< 64 bytes) are rejected. Valid data telegrams are forwarded by the switch. The switch always forwards the data using the data transmission speed that is used in the destination network segment.

– Multi-Address Function

The switch independently learns the addresses for termination devices, which are connected via a port, by evaluating the source addresses in the data telegrams. Only packets with unknown addresses, with a source address of this port or with a multicast/broadcast address in the destination address field are forwarded via the corresponding port. The switch can store addresses in its address table with an aging time of 5 minutes. This is important when more than one termination device is connected to one or more ports. In this way, several independent subnetworks can be connected to one switch.



A restart deletes the entire address table.

– Quality of Service (QoS): IEEE 802.1P/Q

The FL SWITCH SFN... switches are capable of reading Ethernet packets that have already been assigned a priority level by a managed switch. In cases of heavy traffic, packets with a priority level between 4

and 7 are considered high priority and processed before packets with a priority level between 0 and 3. After prioritization the packets are forwarded without modification.

8 Dimensions

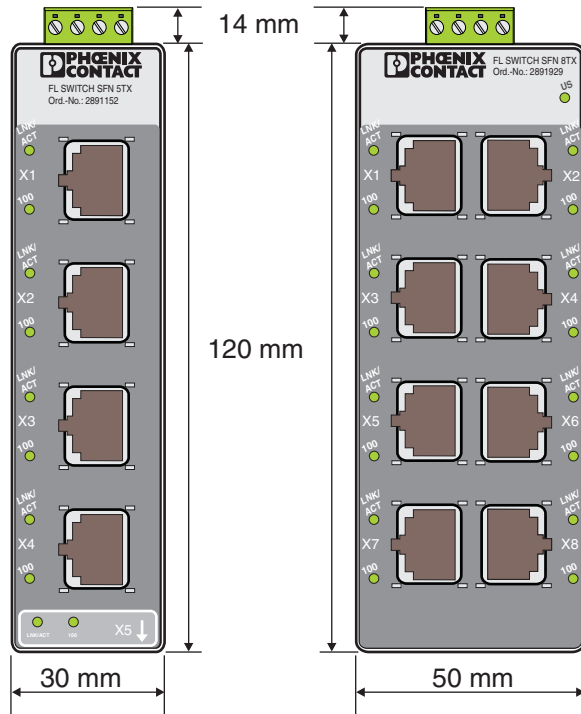


Figure 10 Housing dimensions

9 FL SWITCH SFN...GT... Jumbo Frame Support

Certain revisions of the FL SWITCH SFN...GT... switches have the ability to support jumbo frames. Table 1 shows the minimum version code (V/C) and hardware code (H/C) that provides jumbo frame support:

Table 1 Jumbo Frame Support Firmware

Type Code	Version Code	Hardware Code
FL SWITCH SFN 8GT	02	12
FL SWITCH SFN 7GT/SX	03	13
FL SWITCH SFN 6GT/2SX	02	12
FL SWITCH SFN 6GT/2LX	02	12
FL SWITCH SFN 6GT/2LX-20	01	11

A jumbo frame is an Ethernet packet (or frame) which has a size greater than the IEEE standard 1518 bytes. Jumbo

frames are technically defined as 9000 bytes or less, but commercial use of the term has been applied to packet sizes over 9000 bytes. Jumbo frames are used to reduce network loading when transferring large data files. Fewer but larger packets, containing fewer overall overhead bytes, increase the overall network efficiency.



Version codes are displayed on the package label and Hardware Codes are displayed on the product label.

9.1 FL SWITCH SFN...GT... Jumbo Frame Capability

FL SWITCH SFN...GT... switches support jumbo frames up to 9600 bytes per frame. In addition, the jumbo frames can be used with both 100 Mbps and 1000 Mbps communication. An FL SWITCH SFN...GT... switch has an Ethernet packet (frame) buffer memory capacity of 16 kB per port. This memory capacity is especially important when data is fed through cascaded switches that make up a network backbone.

9.2 Jumbo Frame Performance Factors

The switch's frame buffer size, the size of the frames (bytes/frame) and overall traffic loading of the network (bandwidth) impact the overall application performance. In the following sections, the loading per port is compared with the maximum frame size. At packet (frame) sizes over 3000 bytes, the switch will start sending pause frames to control the traffic flow (see vertical line on Figure 11 and Figure 12). As the size of the frame increases, the sending of pause frames increases. Figure 11 and Figure 12 indicate the maximum loading per port that can occur (for each jumbo frame size) until the buffer is overloaded and packets start to be dropped.



Figure 11, Figure 12, and Figure 13 display traffic loading for 1000 Mbps (gigabit) data rates. For 100 Mbps data rates divide the y axis numbers by 10.

9.3 Application Guidelines

The use of jumbo frames in industrial applications typically falls into two major application classes:

- Bidirectional data transfers: usually caused by larger data file exchanges between controllers or PC applications. These may use jumbo frames in both directions (read/write) between the industrial devices.
- Unidirectional data transfer: typically found in networks where security cameras or vision inspection equipment feed back to a centralized monitoring station. In these cases, the vast majority of the traffic flows in one

direction, i.e., security images from a camera to the network, with only a few, normal size transmissions containing control commands going the opposite direction.

Bidirectional data transfer guidelines

When using jumbo frames for bidirectional data transfers, the generation of pause frames starts at 3000-byte size frames. Traffic loadings of near 100% are possible with frame sizes up to 7000 bytes. Above 7000 bytes the percent traffic loading has to be reduced to prevent dropped packets.

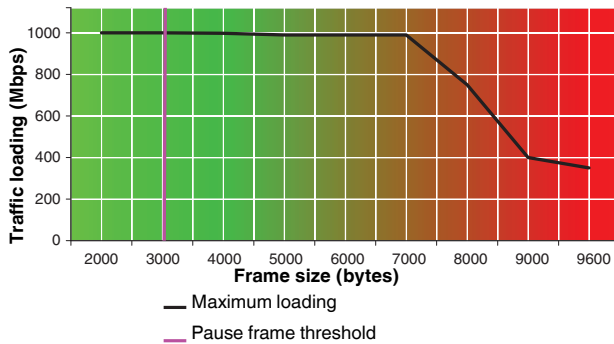


Figure 11 Maximum bidirectional traffic loading per port (FL SWITCH SFN 8GT)

Unidirectional data transfer guidelines

In applications where the data flow is predominantly in one direction, such as cameras and vision systems, near 100% loading is possible using jumbo frames.

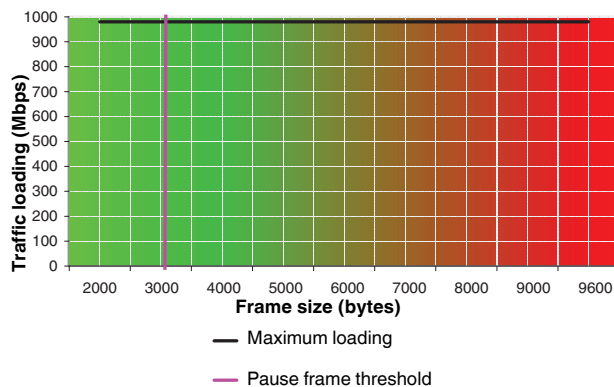


Figure 12 Maximum unidirectional traffic loading per port (FL SWITCH SFN 8GT)

When cascading devices in a trunk topology, up to 18 Mbps of the available bandwidth is required to support overhead

and pause frame traffic for each link between cascaded switches.

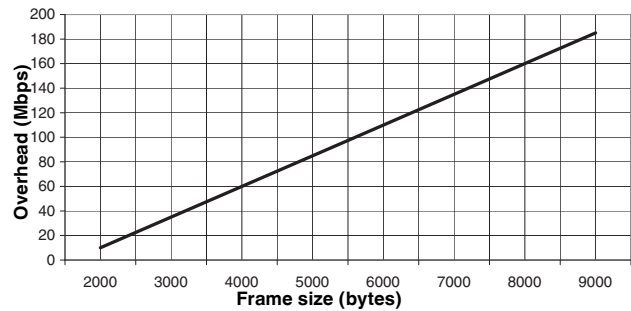


Figure 13 Overhead/cascaded switch vs. frame size

9.4 Calculating Total Network loading with cascaded (trunk topology) switches

Because of the buffer size considerations when using jumbo frames, network bandwidth loading should be planned in advance to prevent packet loss.

1. Determine the total application traffic load for the connected devices.

Add all the traffic loads from each device that will be connected to the switch and transferred to the main trunk line. When using cameras or vision systems, the bandwidth usage per device can be high (see Table 2). Actual numbers may vary depending on the camera or device type used.

Table 2 Typical bandwidth load

Typical Camera Settings	Color Depth (bits/pixel)	Typical Traffic Load (Mbps)
60 frames per second	8	182
	12	275
750 x 640 pixels per frame	16	366
	24	550
	32	732

2. Add all the application traffic from all connected switches and compare to the maximum network capacity.

As the trunk traffic passes from switch to switch, add the total application device traffic from all the switches. The traffic load on the trunk ports cannot be greater than the total bandwidth available (1000 Mbps for gigabit and 100 Mbps for Fast Ethernet ports).

3. Determine the traffic load for bandwidth consumed by application overhead and pause frames (see Figure 13). After the first switch, add this amount for each additional switch segment.

As an example, if a total of four switches are connected together, there will be a first switch then three additional switched segments. This means that three times the overhead value must be used.

4. Add all the application traffic (step 2.) with all the overhead values (step 3.) and compare with the total available bandwidth.

Example 1

Assuming gigabit devices are used with 9000-byte jumbo frames and a total of three cascaded switches. Each switch has one 8 bit/pixel camera plus 10 Mbps of miscellaneous traffic from other ports.

Figure 14 depicts an example with three cameras connected to individual switches. Each camera is configured for an **8 bits per pixel** color depth, creating a load of **182 Mbps** per camera (see Table 2) with a total traffic load of **546 Mbps**. Frame size is configured to 9000 bytes creating an overhead of **180 Mbps** (see Figure 13) for each cascading switch for a total of **360 Mbps**.

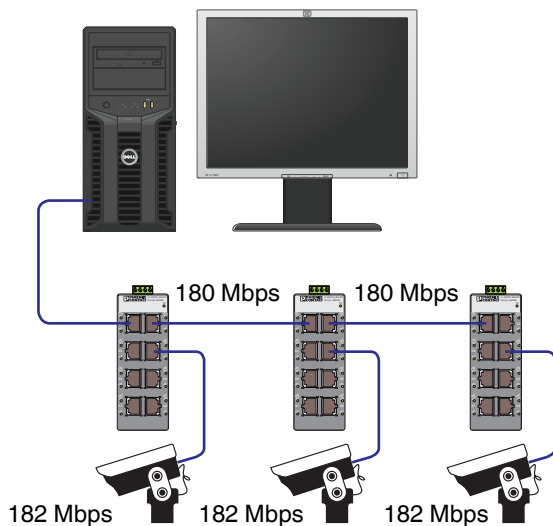


Figure 14 9000-byte frame size example

Adding the camera data and overhead together indicates a total traffic load of **906 Mbps**, leaving **94 Mbps** of the 1000 Mbps total unused.

Example 2

To take advantage of the bandwidth not used in example 1, assume one of the cameras is now required to operate at **12 bits per pixel**.

The increased camera color depth increases the traffic load to a total of **639 Mbps**. Combined with the **360 Mbps** overhead with a 9000-byte frame size, the total bandwidth is **999 Mbps**. While technically within the capability of a 1000 Mb switch, any additional traffic across the transmission line could result in frame loss.

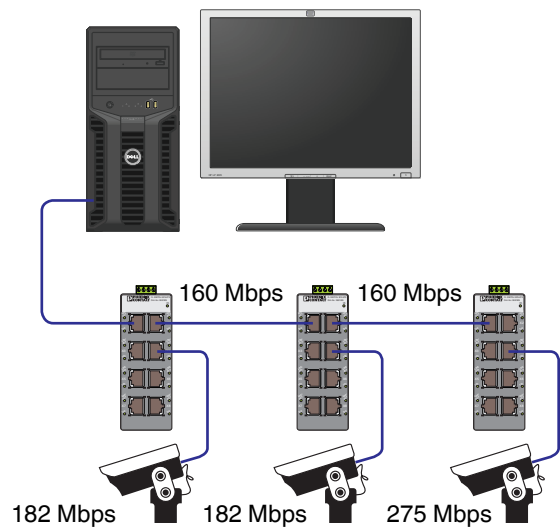


Figure 15 8000-byte frame size example

One possible solution is to change the frame size to 8000 bytes, reducing the overhead (see Figure 15). The reduced frame size results in a total overhead of **320 Mbps**. Combined with the camera traffic load, the resulting bandwidth requirement is **959 Mbps**, allowing some space for additional traffic.