



Chipsmall Limited consists of a professional team with an average of over 10 year of expertise in the distribution of electronic components. Based in Hongkong, we have already established firm and mutual-benefit business relationships with customers from,Europe,America and south Asia,supplying obsolete and hard-to-find components to meet their specific needs.

With the principle of “Quality Parts,Customers Priority,Honest Operation,and Considerate Service”,our business mainly focus on the distribution of electronic components. Line cards we deal with include Microchip,ALPS,ROHM,Xilinx,Pulse,ON,Everlight and Freescale. Main products comprise IC,Modules,Potentiometer,IC Socket,Relay,Connector.Our parts cover such applications as commercial,industrial, and automotives areas.

We are looking forward to setting up business relationship with you and hope to provide you with the best service and solution. Let us make a better world for our industry!



## Contact us

Tel: +86-755-8981 8866 Fax: +86-755-8427 6832

Email & Skype: info@chipsmall.com Web: www.chipsmall.com

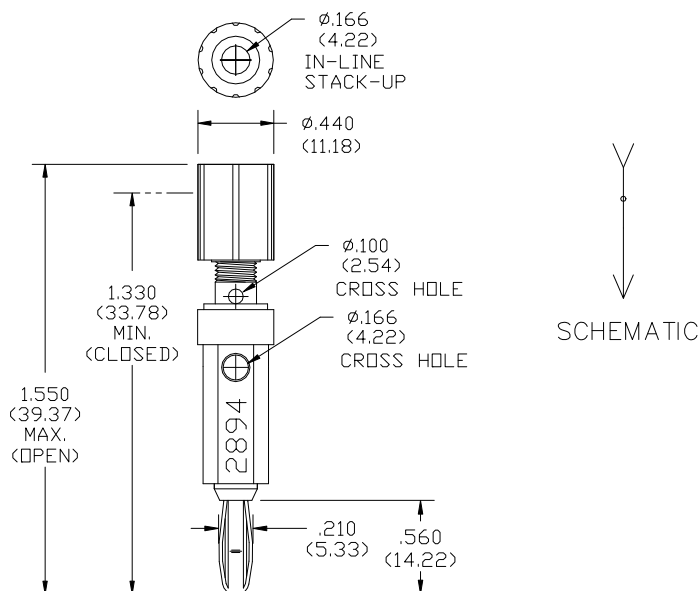
Address: A1208, Overseas Decoration Building, #122 Zhenhua RD., Futian, Shenzhen, China



**Model 2894**  
**Binding Post to Single Banana Plug**



**Model 2894**  
**Binding Post to Single Banana Plug**



**Features**

- Features insulated binding post for rapid mounting and interchangeability of components.
- Center cross hole of 4.2mm (.166") dia. provides side stack-up connection.

**Materials**

*Binding Post:*

- Material: Body – Brass per QQ-B-626, Alloy 360, ½ Hard.
- Finish: Nickel plate per QQ-N-290, Class 2, 200/300 micro-inches.
- Insulation: Polycarbonate. Color: See Ordering Information

*Banana Plug:*

- Body: Brass per QQ-B-626, Alloy 360, ½ Hard.
- Spring: Beryllium Copper per QQ-C-533, Alloy 172, Cond.
- Finish: Nickel plate per QQ-N-290, Class 2, 200/300 micro-inches.

*Insulation:*

- Material: Polypropylene molded to Binding Post and Banana Plug bodies.
- Marking: "2894, POMONA ELECTRONICS, CALIF."

**Specifications**

Operating Voltage:

Hands free usage in controlled voltage environments: 2500 Vrms maximum.

*For CE compliance:* not intended for hand-held use at voltages above 33 Vrms/70 Vdc.

Operating Temperature: +50°C (+122°F) Max.

Current: 15 Amperes

**Ordering Information**

Model: 2894-\*

\*=Color, -0 (Black), -2 (Red)

*Ordering Example:* 2894-2 (Color of Binding Post collar is Red)

Other colors available upon request.

**USA:** Sales: 800-490-2361  
Technical Support: [technicalsupport@pomonatest.com](mailto:technicalsupport@pomonatest.com)  
Fax: 425-446-5844

**Europe:** 31-(0) 40 2675 150 **International:** 425-446-5500

**Where to Buy:** [www.pomonaelectronics.com](http://www.pomonaelectronics.com)

All dimensions are in inches. Tolerances (except noted): .xx = ±.02" (.51 mm), .xxx = ±.005" (.127 mm). All specifications are to the latest revisions. Specifications are subject to change without notice. Registered trademarks are the property of their respective companies.